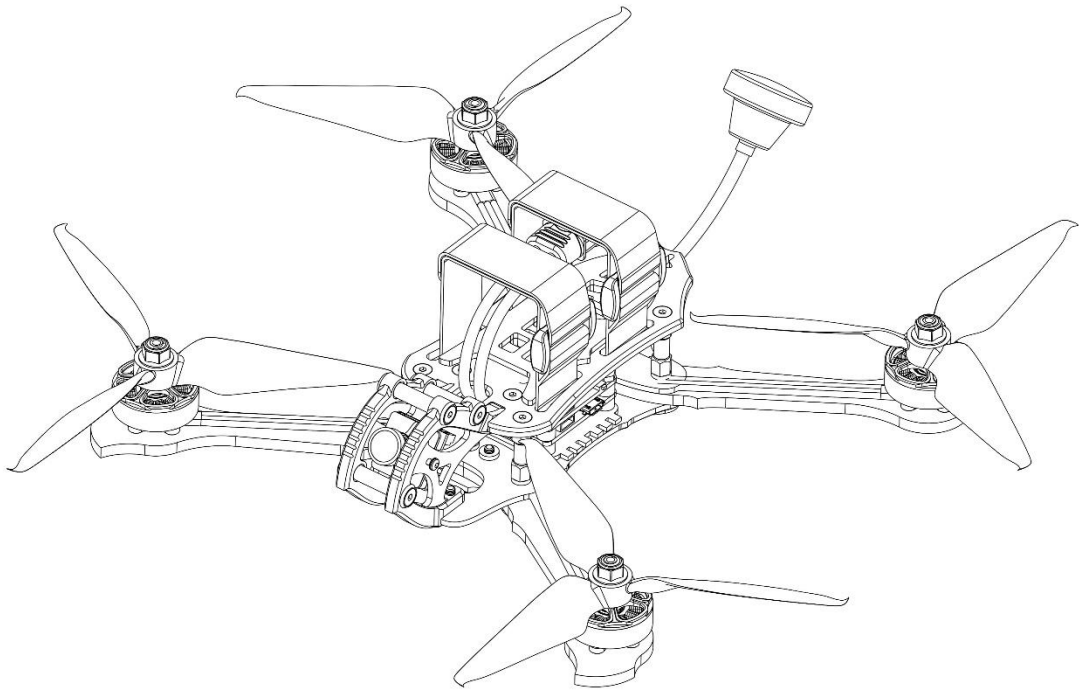


BUZZ



Thanks for purchasing the Buzz. Designed in California, assembled in China.

Disclaimer

Please read the disclaimer carefully before using this product. By using this product, you hereby agree to this disclaimer and signify that you have read them carefully and completely. This product is not suitable for people under the age of 18. Adult supervision is highly recommended for kids under the age of 18.

The Buzz features open-source flight controller and Electronic Speed Controllers to meet the FPV enthusiasts' need to upgrade their quad.

Please read the instruction manual and warnings carefully. Before every flight, make sure the battery is fully charged and power connections are secure. DO NOT fly around crowds, children, animals or objects. EMAX ACCEPTS NO LIABILITY FOR DAMAGE(S) OR INJURIES INCURRED DIRECTLY OR INDIRECTLY FROM THE USE OF THIS PRODUCT.

Precautions

Please follow the instructions to assemble and to operate this product in a proper way.

Pilots do not use this product if you have physical or mental illness, dizziness, fatigued, or use while under the influence of alcohol or drugs.

Please fly in a safe area away from people

Do not modify or use other parts and accessories not approved for the use of EMAX.

Do not use this product in harsh environments (such as winds, rain, lightning, snow, etc.).

Do not use this product in a strong electromagnetic environment.

Support

Please visit emax-usa.com or emaxmodel.com for any updates or support needs.

Table of Contents

Disclaimer	1
Precautions	1
Support	1
Product specification	1
Buzz.....	1
Parameter	1
Product list.....	1
Buzz Structure	1
Buzz Assembly.....	2
Propeller Direction and Mounting.....	2
Propeller Type.....	2
Antenna Mount	2
Buzz VTX Operation.....	3
VTX Channel Settings with the Button	3
Button Menu Diagram.....	4
CE and FCC unlicensed user chart.....	4
Unlocked FCC HAM licensed user chart.....	4
Changing VTX setting via Betaflight OSD	5
Buzz ESC.....	6
Buzz Flight Controller	7
.....	7
Stock Flight Controller Settings.....	7
Current Sensor Jumper	8
Adjusting Software Settings (Betaflight Configurator).....	8
Reprogramming Buzz Flight Controller.....	8
.....	8
Set the Correct Settings	8
VTX Power Cut Off Switch.....	9
Operation:	9
Buzz Receiver	9
Binding Procedure.....	10

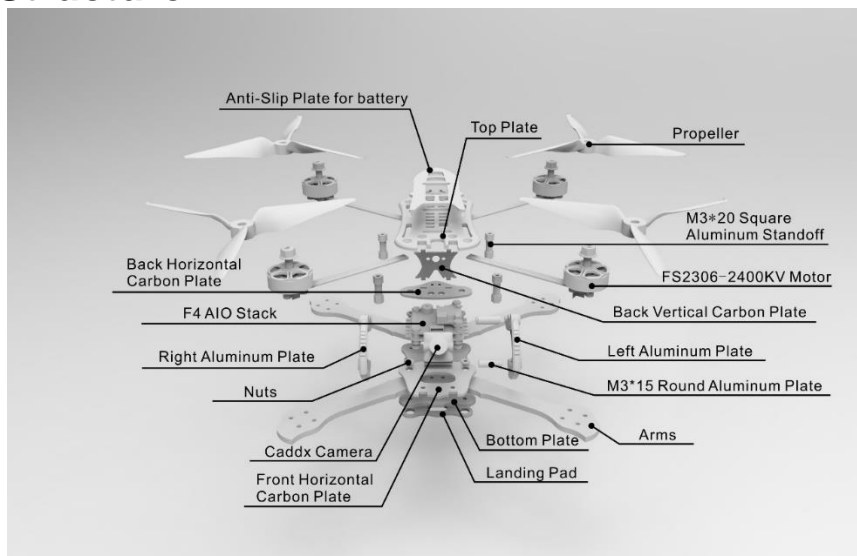
Product specification

Buzz	Parameter
Diagonal wheelbase (without paddles)	245mm
Aircraft weight (without battery)	358g
Motor	FS 2306 2400kv
Propeller	Avan Flow 5x4.3x3 & Avan Scimitar 5x2.6x3
Main Flight Controller	F4 (OmnibusF4 firmware) 4 in one 3s-6s 45A 32 bit ESC FrSky XM+ receiver 16 CH Diversity
Camera	Caddx Micro S1 CCD
Transmitter	0-25-200mW Adjustable frequency 37CH With Smart Audio
Battery	Recommended 1300-1800 mAh 4S (Not Included)

Product list

1. Buzz × 1
2. Avan Flow 5x4.3x3 (3x CW, 3x CCW)
3. Avan Scimitar 5x2.6x3 (3x CW, 3x CCW)
4. Extra Parts Package × 1
5. Instruction manual × 1
6. Pagoda Right Hand Antenna × 1
7. HD Camera Strap x 1

Buzz Structure

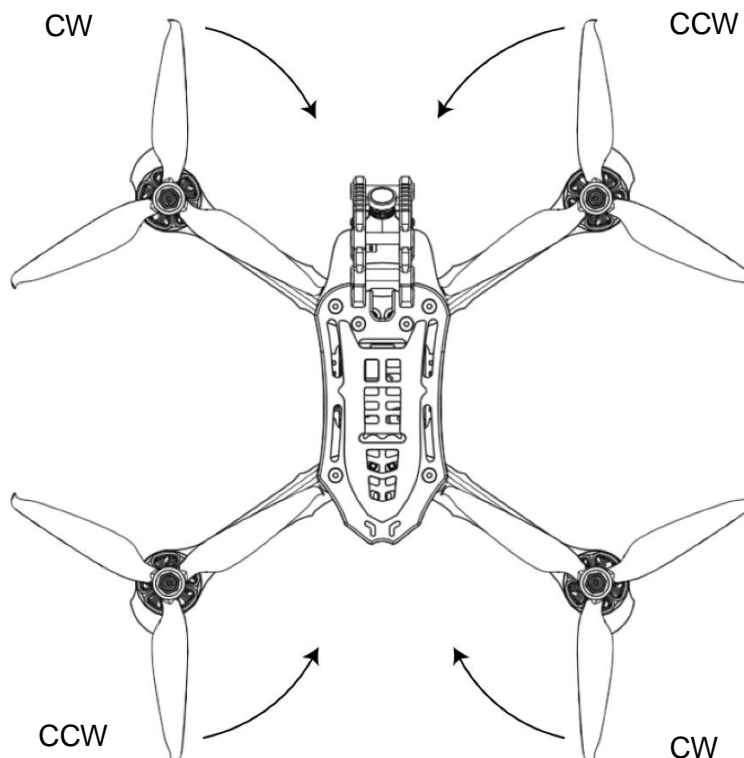


Buzz Assembly

The Buzz comes nearly completely assembled out of the box, only required to install the propellers and FPV antenna.

Propeller Direction and Mounting

There are 2 spinning directions for the propellers, Clockwise (CW) and Counter-Clockwise (CCW). When Buying a set of propellers, 2 CW and 2 CCW will be given. The blunt leading edge indicates the direction the propeller is supposed to rotate as compared to the sharp trailing edge. When mounting propellers please make sure the correct orientation shown in the diagram below.



Caution: Failure to mount the propellers in the correct orientation will cause Buzz to not fly correctly and with no control. Please double check for the correct orientation.

1. Push the propeller down the 5mm shaft.
2. Tighten the M5 lock nut and secure it.
3. Periodically check nut tightness to ensure it will stay tight during flight.

Propeller Type

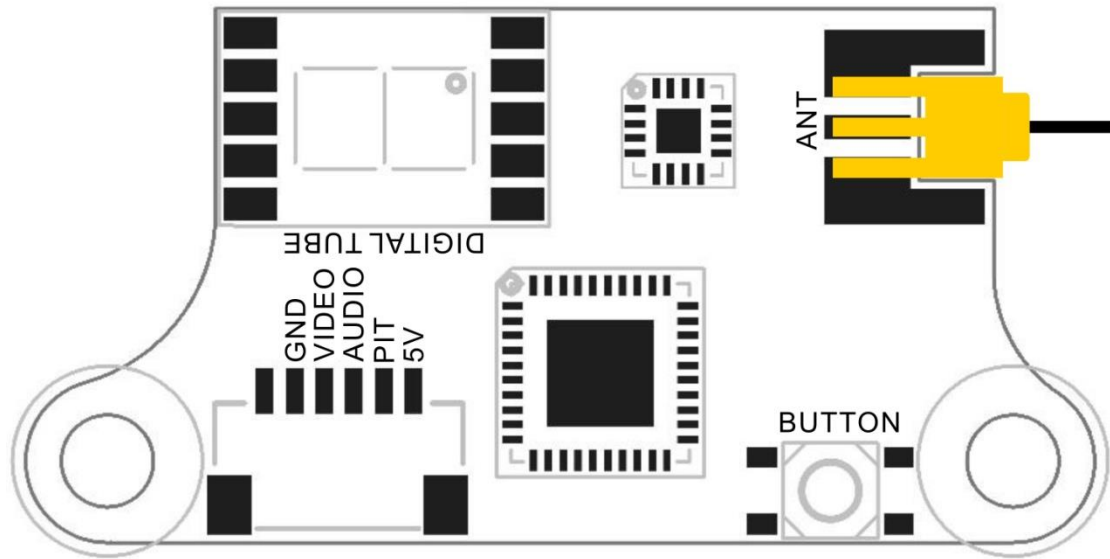
There are two different propeller types given with buzz: Avan Flow 5x4.3x3 and Avan Scimitar 5x2.6x3. These two props will give two different flight styles. The Avan Flow 5x4.3x3 flies very fast and operates well at higher speeds with the compromise of lower flight time. Avan Scimitar 5x2.6x3 flies slower but with an increase of flight time.

Antenna Mount

Mount the provided pagoda antenna to the back of the Buzz where the SMA port mounts. Periodically check tightness to insure good video quality during each flight.

Buzz VTX Operation

Vtx Schematic and Button Diagram



VTX Channel Settings with the Button

1. Menu Entry / Exit

(1) Press the button and hold for 5s to enter the menu

(2) Press the button and hold for 5s again to save parameters and exit the menu.

2. Band, Channel, and Power parameter change

After entering menu, short click button to switch frequency group band(b)/frequency channel (C)/power (P).

3. Enter/Exit Parameters

(1) After choosing menu, press the button and hold for 2s to enter parameter option.

(2) Press and hold for 2s to exit the parameter selection and to move back a menu option

4. Select Parameter

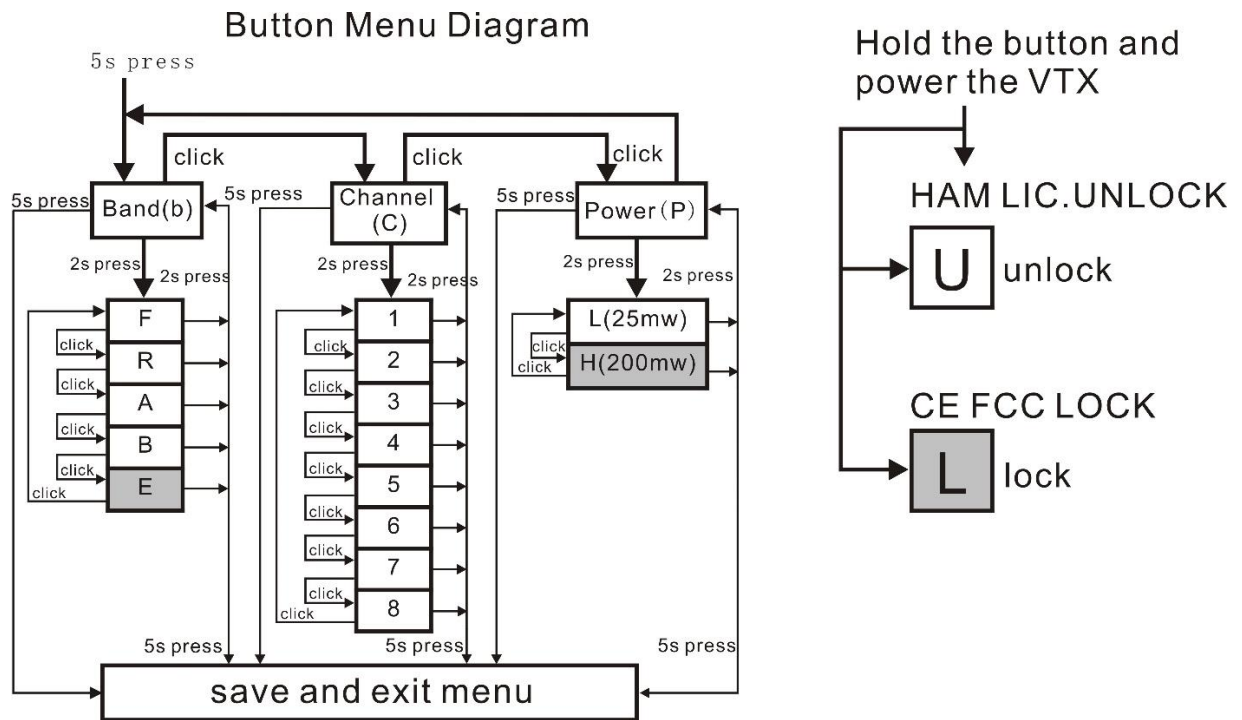
After entering desired menu, press the button to cycle through the parameters.

5. Save Selections

Press and hold for 5s.

Notice: When SmartAudio function is on, if the video receiver can't display image such as showing only white noise, that is because flight controller set the VTX frequency to an illegal one. While battery is connected you can press vtx button to adjust the frequency to the legal one to display an image and after wards you can set the frequency to legal one in OSD menu.

Button Menu Diagram



CE and FCC unlicensed user chart

FR \ CH	CH1	CH2	CH3	CH4	CH5	CH6	CH7	CH8	
A	5865	5845	5825	5805	5785	5765	5745	—	MHz
B	5733	5752	5771	5790	5809	5828	5847	5866	MHz
E	—	—	—	—	—	—	—	—	MHz
F	5740	5760	5780	5800	5820	5840	5860	—	MHz
R	—	—	—	5769	5806	5843	—	—	MHz

Unlocked FCC HAM licensed user chart

FR \ CH	CH1	CH2	CH3	CH4	CH5	CH6	CH7	CH8	
A	5865	5845	5825	5805	5785	5765	5745	5725	MHz
B	5733	5752	5771	5790	5809	5828	5847	5866	MHz
E	5705	5685	5665	—	5885	5905	—	—	MHz
F	5740	5760	5780	5800	5820	5840	5860	5880	MHz
R	5658	5695	5732	5769	5806	5843	5880	5917	MHz

* From the factory this video transmitter is designed to operate within CE and FCC unlicensed users specifications. To use the unlocked features of this VTX the user is required to have a HAM radio license or prior consent from the FCC. By purchasing this equipment, the user is agreeing that they understand these responsibilities and will operate the equipment legally. Emax cannot be held responsible for your actions if you purchase and/or use this product in violation of your government's regulations.

Changing VTX setting via Betaflight OSD

Buzz is equipped with SmartAudio and is already configured with stock settings. The SmartAudio line is operated on UART 6 TX.

1. Power on Buzz, Goggles, and Controller.
2. Follow the tips on screen to enter the main settings menu: THROTTLE MID+ YAW LEFT+ PITCH UP to enter OSD parameter adjustment menu. as shown in Figure 2.
3. In the menu interface, switching PITCH up/down to choose menu option. Move the cursor to “FEATURES” and stir Roll stick right to enter next menu. Using PITCH stick to move cursor to “VTX SA”, as shown in Figure 3. Then pull ROLL stick right to enter VTX configuration menu, as shown in Figure 4.



Figure 1



Figure 2



Figure 3

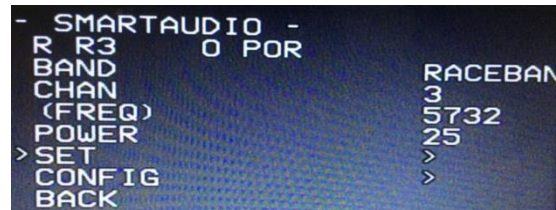


Figure 4

4. In the menu of VTX SA, we can configure the BAND, CHAN and POWER. Pulling the PITCH stick to move cursor up and down to choose VTX options that need setting. While pulling ROLL stick left and right to change the corresponding parameters. Once the parameters is set, moving the cursor to “SET”, then turn ROLL stick right to enter “SET” and choose “YES” and turn ROLL stick right to save setting parameters, as shown in Figure 5.

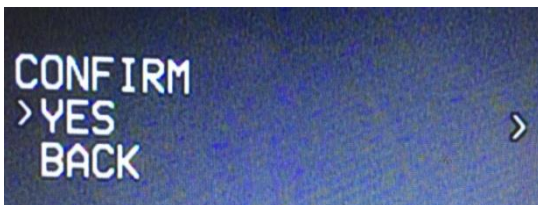
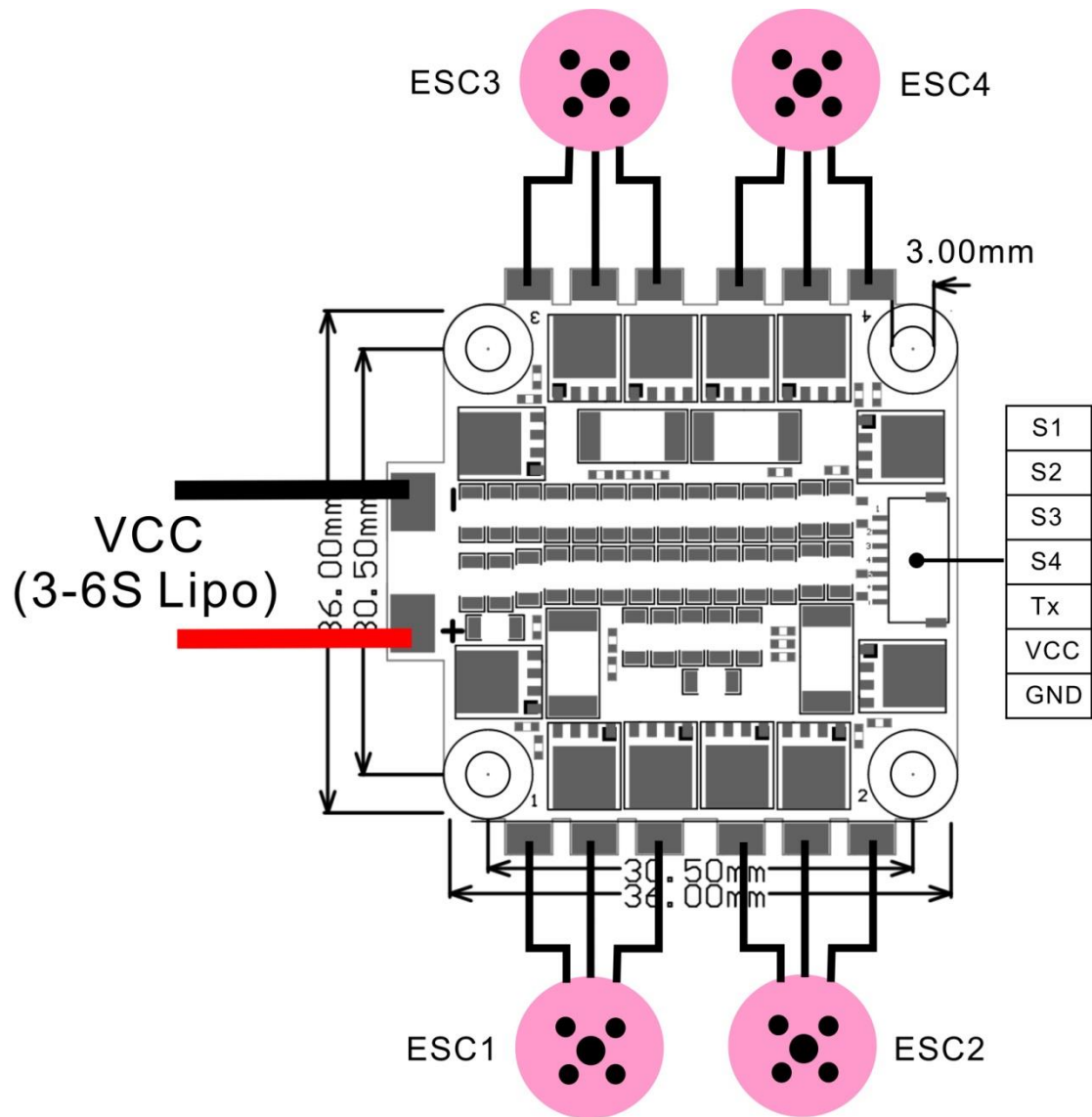


Figure 5

Buzz ESC

ESC Schematic and pinout Diagram.

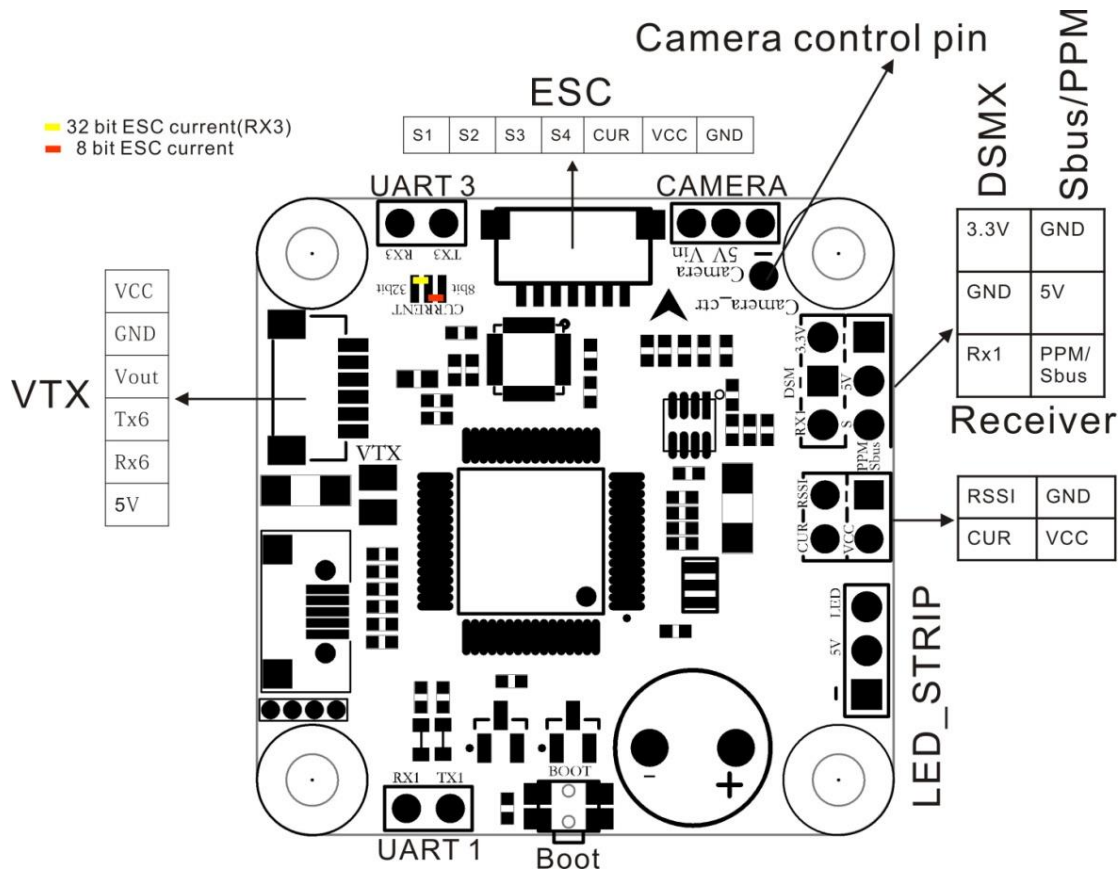


The Buzz is using 4-in-one 45A 32-bit ESC. Buzz supports 3-6S Lipo. Recommended 1300-1800 mAh 4S.

Signal Wires: S1-S4 is the signal input of ESC1-ESC4. Tx is ESC telemetry output connected to UART 3 RX on the Buzz Flight Controller.

Buzz Flight Controller

FC Schematic and pinout Diagram



Stock Flight Controller Settings

Buzz is configured to take a channel map of the TAER1234 convention. That is the channel map is in the respective order: throttle, aileron, elevator, rudder, AUX Channels. The arm switch on Buzz is set on AUX 1 and armed with the highest value. AUX 3 is set to beeper with beeping on in a high state. AUX 4 is set to the VTX power switch: High value is VTX on and Low value is VTX off.

Caution: Make sure your control is set with a channel map described above, otherwise Buzz may not operate properly or even transmit video.

Camera control is already set up with stock settings and is connected to pin A08. To enter the control menu of the camera, move throttle to middle throttle position and yaw all the way right. You can move through the menu by pitching up and down. To enter a menu or selection, yaw right. In this menu you can change exposure, brightness, contrast, and many other camera settings.

PID profiles: PID profile 1 is tuned and optimized for Buzz for ultimate control of flight indoors and outdoors. Please do not change these values. Change the rates to get the flight control characteristic desired.

Caution: Changing PID settings can cause poor flight behavior and worst case burning a motor or ESC. Departure from stock PIDs will void all warranty with the Buzz.

Current Sensor Jumper

There is jumper pads on the FC shown in the diagram above to choose the current sensing style desired. Solder jumped in the yellow mark configuration connects 32bit telemetry to UART 3 RX. This configuration has all the features 32 bit ESC's offer. Soldering the jumper highlighted in the red connects an analog current sense signal to the correct ADC for the omnibus and overall current draw can be known that way.

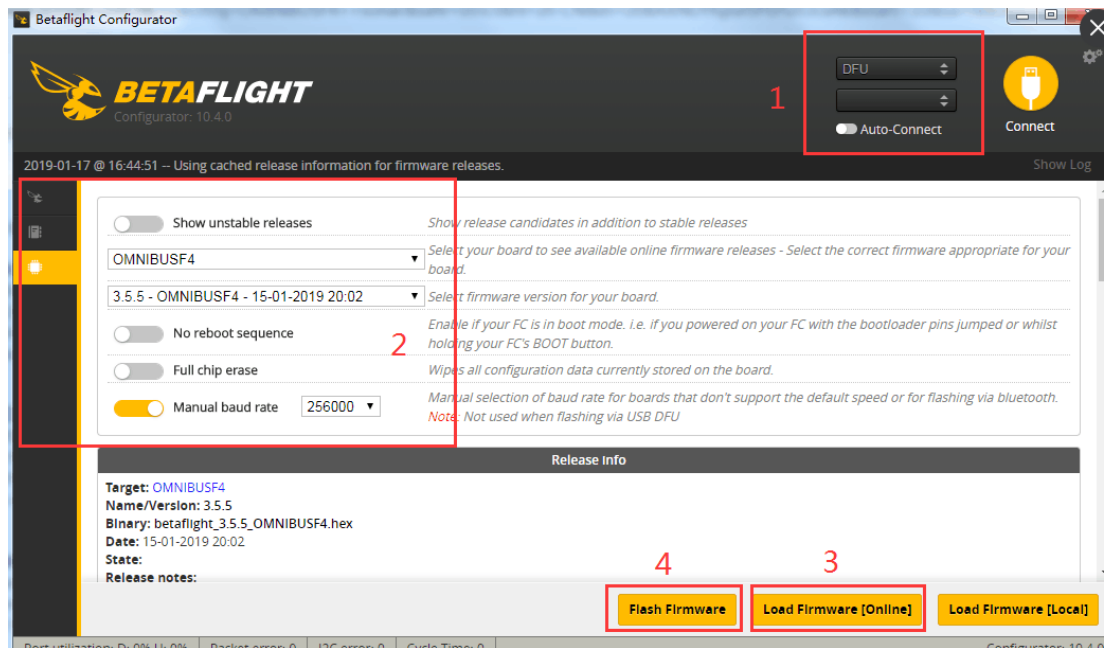
Adjusting Software Settings (Betaflight Configurator)

Betaflight Configurator can be used to changed programmed settings on Buzz and to flash new firmware if desired. Betaflight Configurator can be downloaded at <https://github.com/betaflight/>. The hardware target for Buzz Flight Controller is OmnibusF4 and the correct firmware can be found on emax-usa.com.

DISCLAIMER: We do not suggest changing any PID settings on Buzz or upgrading the firmware to new or old versions. Buzz comes stock with an optimal tune for superior flight performance. Changing this can affect flight time, overall speed, control of the aircraft, or excessive heat within the motors.

Reprogramming Buzz Flight Controller

1. Put the Flight Controller in DFU mode by pressing the Boot button while plugging in the micro USB cable to a computer.
2. Select OmnibusF4 as the target and then select the desired firmware (4.0.0 stock). Betaflight 4.0.0 firmware can also be downloaded from emax-usa.com if it is not available in the drop down menu. Select Manual Baud Rate with 256000 in the drop down menu
3. Select Load Firmware(Online) to download the firmware or if the hex file was downloaded from emax-usa.com select Load Firmware (Local) and select the path to the correct hex file.
4. Select Flash Firmware to program the flight controller



Set the Correct Settings

1. Download the latest CLI Dump File from <https://emax-usa.com/>
2. Connect Buzz to Betaflight configurator and select the CLI tab

Binding Procedure

Binding is the process of uniquely associating a receiver to a transmitter module. A transmitter module can be bound to multiple receivers (not to be used simultaneously). A receiver can only be bound to one transmitter module.

Follow the steps below to finish the binding procedure.

1. Power on Buzz while holding the BIND button on the module (please refer to the module instruction manual for switch positions). Release the button when a green light starts flashing.
2. Turn on the transmitter (radio controller) and put it into bind mode for a D16 module.
3. A red light will start flashing on the receiver indicating binding process was successful
4. Turn the radio out of bind mode and power off Buzz to save bind settings.

Thank you for purchasing our product! Enjoy Flying Buzz.

Please visit emax-usa.com or emaxmodel.com for any updates or support needs.



Warning:

Please pay attention to your surroundings. Not

Recommended for persons under 18 years of age.