



INSTALLATION MANUAL

AS 250 OUTDOOR SOUNDER



SERVICE



EDS Elektronik Destek
Sanayi ve Ticaret Ltd. Şti.

Mecidiyeköy Mah. Teraziciler Cad.
Kılıç Sok. No:4 34785
Sarıgazi/ İstanbul
Tel.: +90 216 528 45 00
Fax : +90 216 314 17 80
www.eds.com.tr eds@eds.com.tr

TR: +90 216 528 45 00
T: +90 216 314 17 80



General

AS 250 Series Outdoor Sounders are aesthetically designed, high quality sounders for outdoor usage. These products are compatible with all security systems, durable for any kind of weather conditions and impact.

Sounders are protected with outer plastic material (inner metal cover is optional).

AS 250 Series Sounders are compatible with all alarm panels. Interior tamper key, walking LED display is available against the tamper and system disorders. The piezo buzzer with extremely high sound level capacity used for As250 series sounders

AS 250 Series Sounders are designed for screwless installation

Technical Specifications

Model	AS 250
Operating voltage	13.6VDC
Stand-by current	38mA
Alarm current	300-450mA (Audio type is depend on)
Voice output	102dB-108dB (Audio type is depend on)
Voice frequency	2.0-4Khz
Audio type	4 selectable
Programmable siren period	Selectable (5 min.)
Start time set-up	5/15min. selectable
Siren supervise resistor	- and +
Buzzer	Single Piezo
Trigger type	Negative/Positive selectable
Light output	100.000p/Lum
Flasher life	1.000.000
Flasher frequency	120/min.
Colour of flasher	Red/Blue
LED display	Walking LED
Tamper	Available
Environment	Outdoor
Application	Alarm Panels
Housing	ABS Plastic
Colors of housing	White,
Dimensions	210x320x80
Weight	920gr
Operating temperature	-10°C ~ +50°C

Optional Accessory

Battery	6V 280mAH NiCd - 12V/1.2ah Vicd
Inner cover	Galvanized
Piezo	2. Piezo

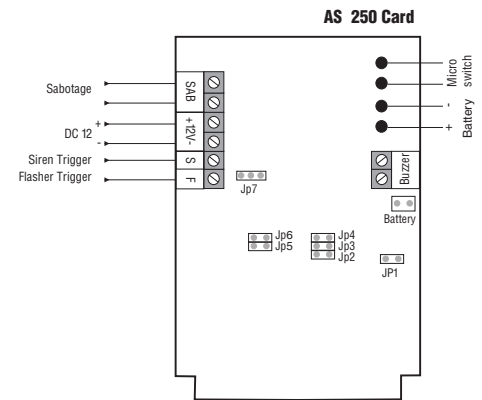
Connections

Figure: 9

Factory Default Values

JP 1 :	OFF
JP 2 :	OFF
JP 3 :	OFF
JP 4 :	OFF
JP 5 :	OPEN
JP 6 :	OPEN
JP 7 :	Negative

Function	Jumper	OFF	ON
Voltage type	JP 1	SBP is from panel	SBA is from battery
Start time set-up	JP 2	-	5 min
Trigger type	JP 3	Negative	Positive
Siren period	JP 4	5 min.	15 min.
Siren supervise time	JP 7	N: Negative Trigger	P: Positive Trigger



JP 5	JP 6	Audio No
X	X	Audio 1
X	-	Audio 2
-	X	Audio 3
-	-	Audio 4

X : Open
- : Off

Warning & Cautions

Please read the manual before attempting installation or operation

WAIT 3 minutes after the strobe stops flashing before removing the cover

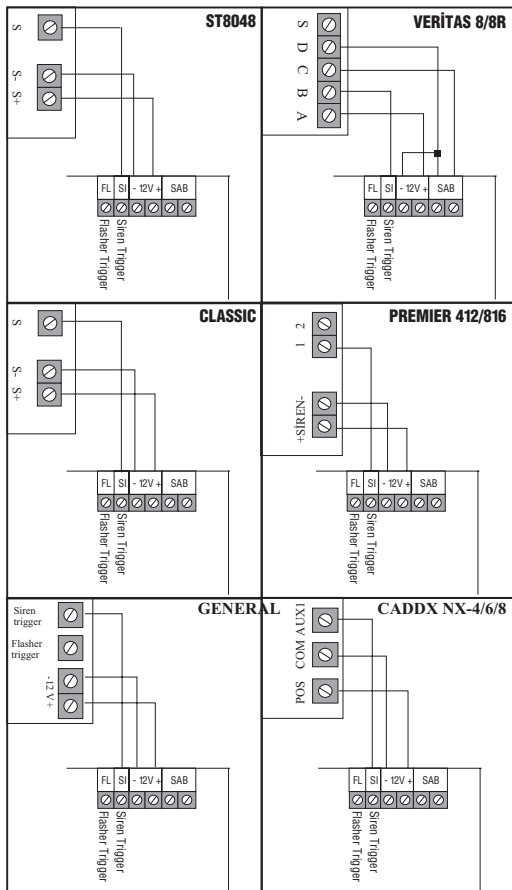
Do not throw into fire

Do not reverse charge

Do not short-circuit

Turn off the power immediately and contact the technician when a problem occurs.

Panel Connections



CADDX NX 4/6/8 AUX1 programmer:
 * 897130# (Prog. Input)
 47# (Location/Menu) NO
 7* (Prog. Output options)
 max.0 - 255dk (output active 0-255min.)
 (Prog. Output)
 * 46# 1** EXIT

Mount

Opening The Top Cover Before Mounting

- 1-Turn the siren upside-down to open the cover, push the 'M' latch upwards and pull the cover below. (Figure 1)
- 2-Mark the screw holes and suspender places on the wall with the aid of box bottom plastic or template on the package for mounting. (Figure 2)
- 3-Set the electricity connections of the card as shown in Electricity Connections/Figure:9 and draw attention to the sample Panel Connection section.
- 4-Place the battery to the slot shown in Figure 3. Be careful with the polarities and the direction of the battery. (a battery, fix it with the cable bound and open-circuit the Jp1)
- 5-After completing the electricity and battery connections, place the transparent protection cover on the card. (Figure 4)

Attaching the Top Cover

Place the 'A' nails as they would fit into the 'B' holes as shown in Figure:7 and then make the latch be attached to 'M' point by pressing the top cover.

Opening The Top Cover After Mounting

Push 'M' latch in Figure:7 with a straight screw and lift the top cover. Push the cover upwards to let the 'A' nails release and remove the cover.

Mounting the Metal Cover

Mount the optionally provided metal cover as shown in Figure:8.

Important Mounting Notes

- 1- It should be at least 5cm below the ceiling in order to be able to open the top cover during assembly.
- 2- Choose a clean and smooth surface for easy mounting.
- 3- Use 4 units of M4x52 metal screw and M8 dubel(plastic screw holder in-wall)

Mount

Figure: 1

Figure: 2

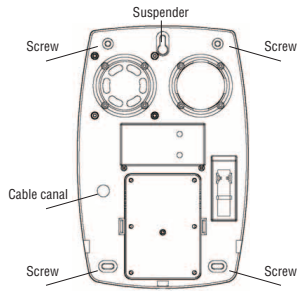
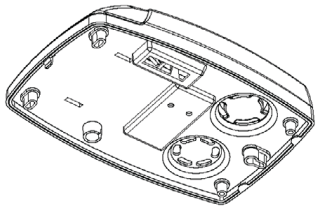
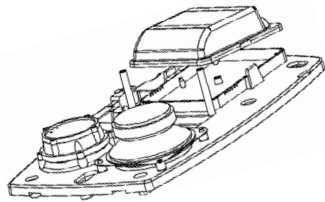
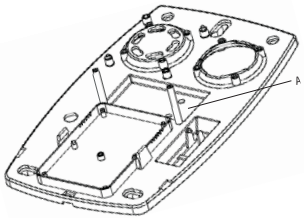


Figure: 3

Figure: 4



Mount

Figure: 5

Figure: 6

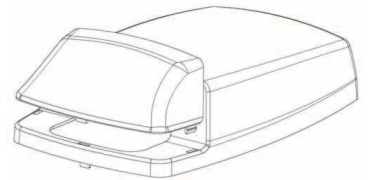
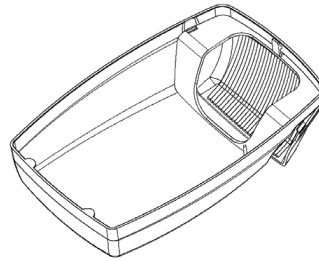


Figure: 7

Figure: 8

Mounting The Metal cover
(The metal cover is optional)

