

DAEWOO

Service Manual

Refrigerator

Model: FR-2701
FR-2702

✓ Caution

: In this Manual, some parts can be changed for improving, their performance without notice in the parts list. So, if you need the latest parts information, please refer to PPL(Parts Price List) in Service Information Center (<http://svc.dwe.co.kr>).



DAEWOO ELECTRONICS CO., LTD.

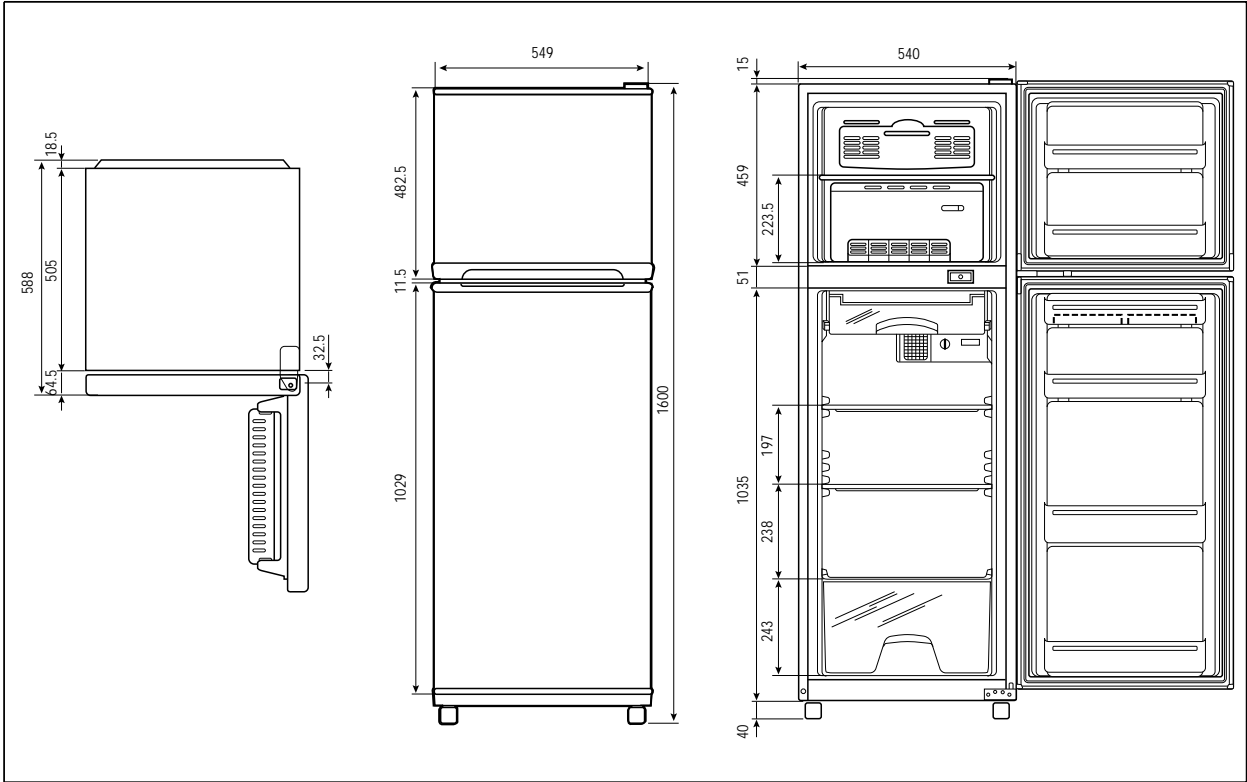
1. Specification	1
2. External view	2
3. Wire diagram	3
4. Name of parts	4
5. Air flow diagram	5
6. Refrigerant cycle diagram	6
7. Machine room view and part list	7
8. Main components	8
9. Door color specification	11
10. Exploded view and parts list	14

1. SPECIFICATION

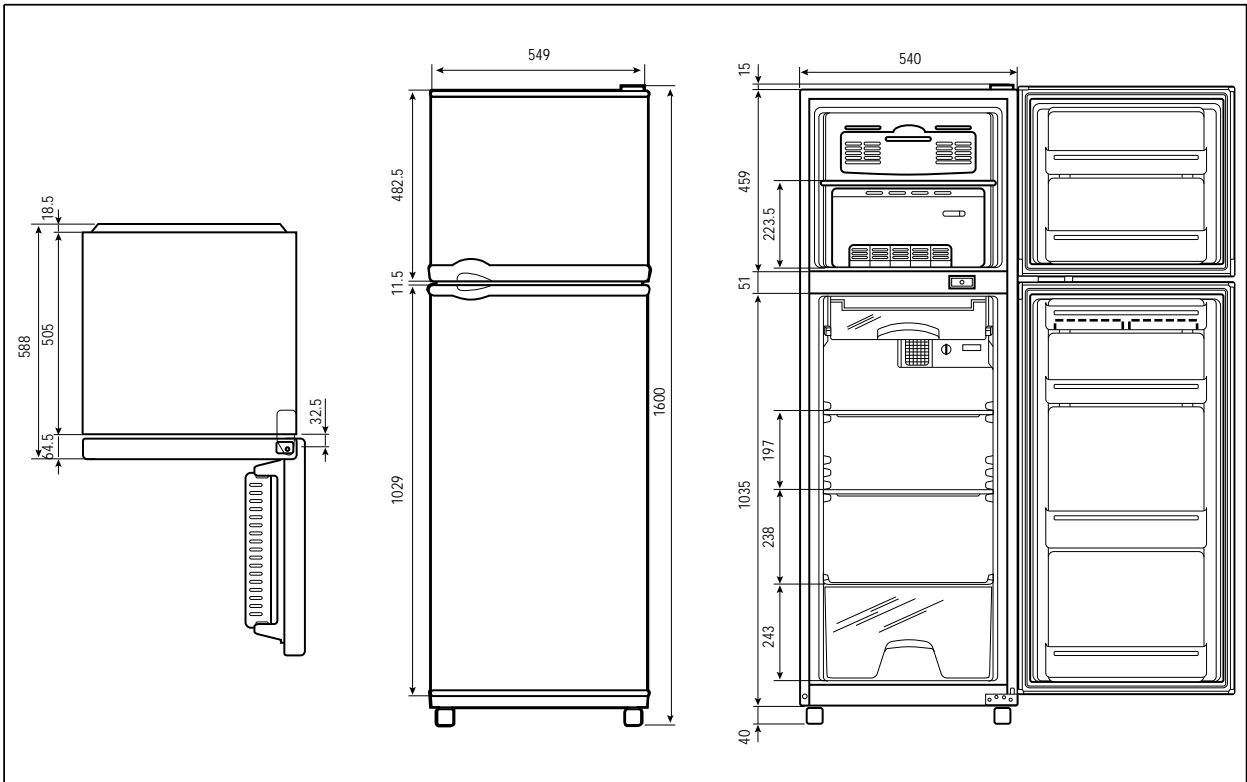
MODEL NAME		FR-2701	FR-2702
Refrigerant	R12	120g	120g
	R134a	105g	105g
Cooling System		Fan Cooling Convection Type	
Refrigeration System		Air Forced Convection	
Defrost System		Forced Fin-enanporator Type	
Defrost Operation		Automatic Start & Stop	
Cold Control		Adjustable Dial	
Capacity	Freezer	55 ℓ	55 ℓ
	Refrigerator	170 ℓ	170 ℓ
	Total	225 ℓ	225 ℓ
External Dimension	Height	1600mm	1600mm
	Width	549mm	549mm
	Depth	588mm	588mm
Net Weight		49Kg	49Kg

2. EXTERNAL VIEW

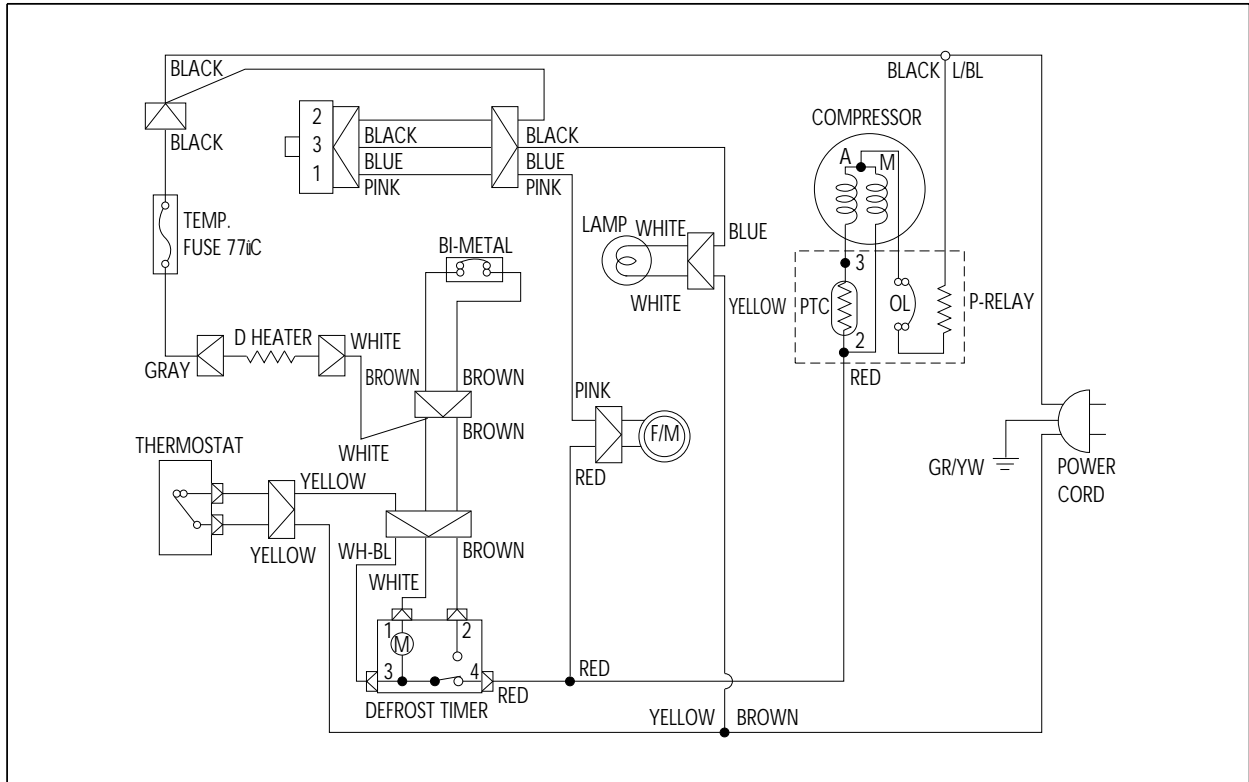
FR-2701



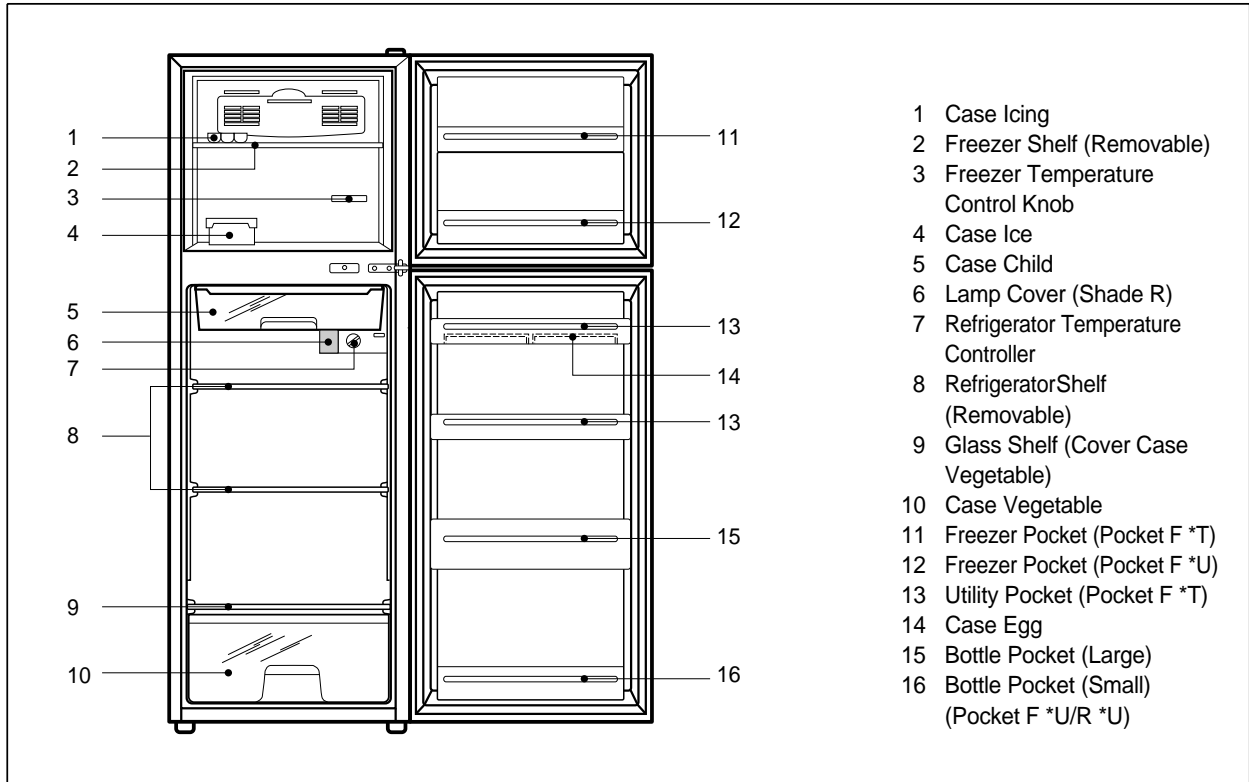
FR-2702



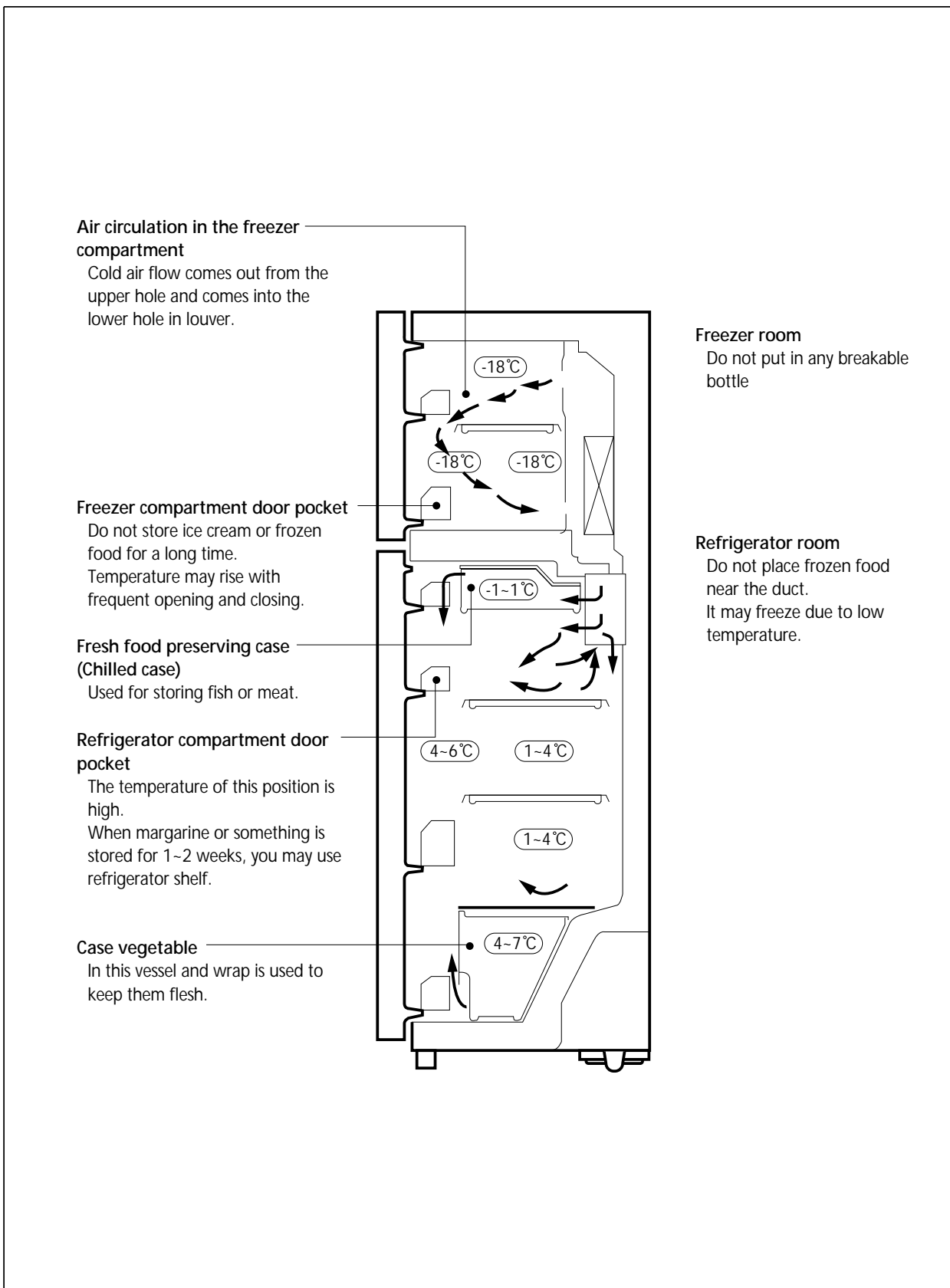
3. WIRE DIAGRAM



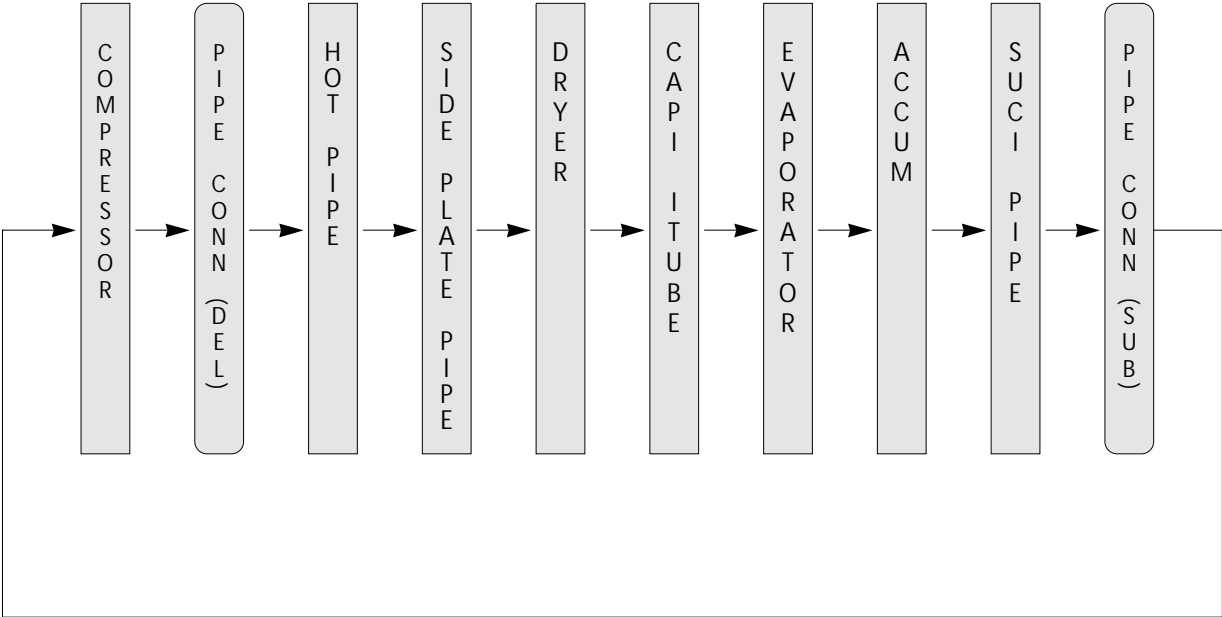
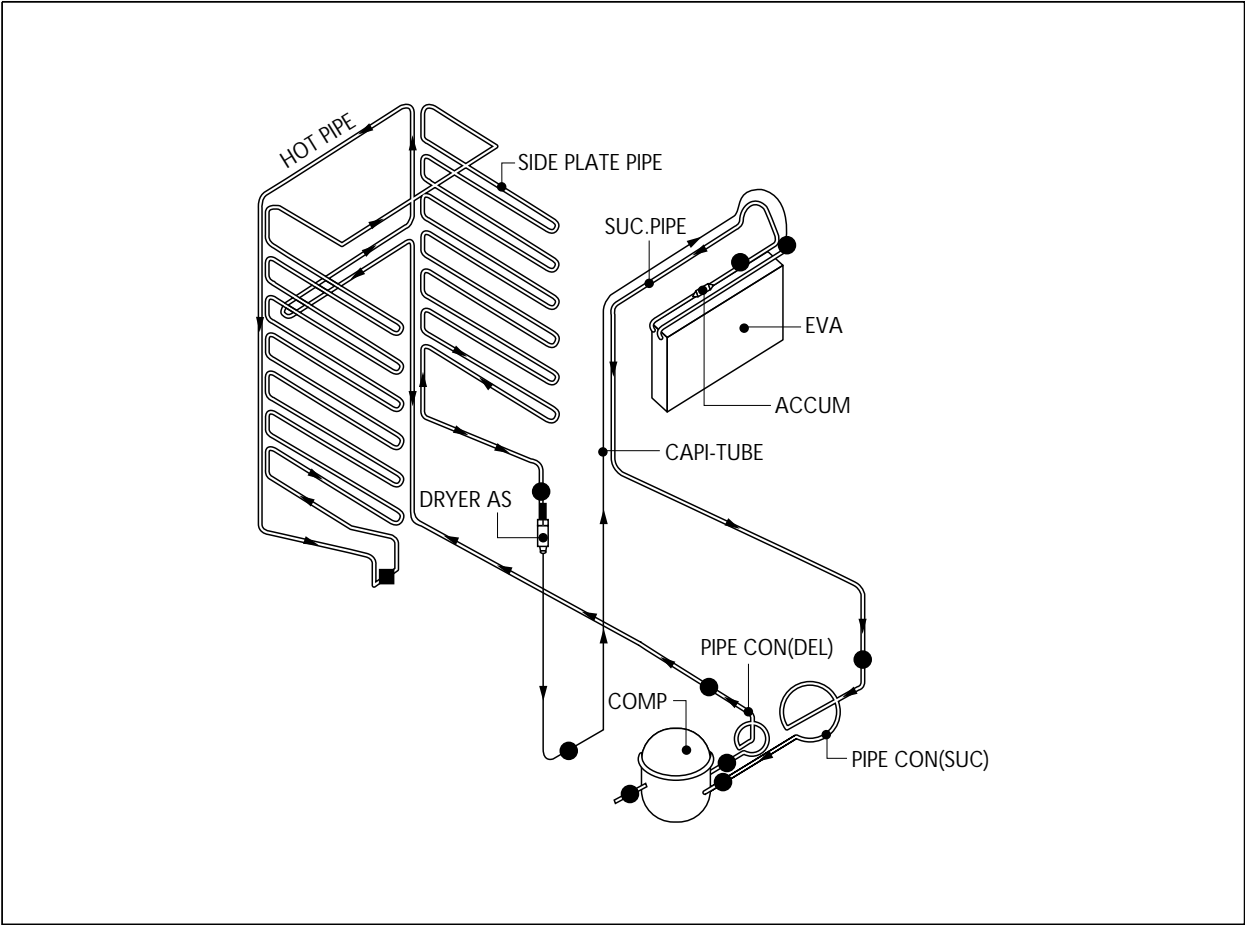
4. NAME OF PARTS



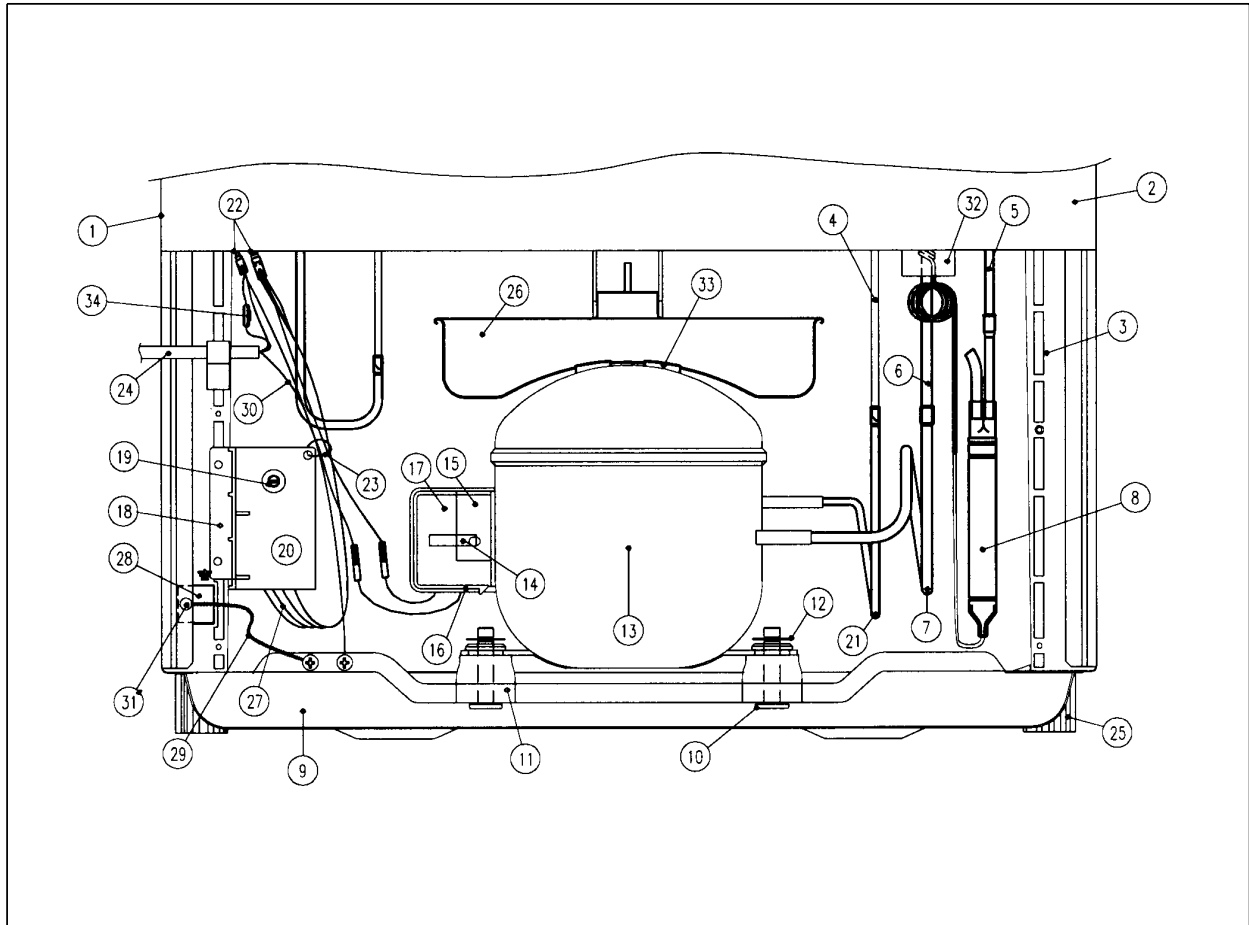
5. AIRE FLOW DIAGRAM



6. REFRIGERANT CYCLE DIAGRAM



7. MACHINE ROOM VIEW AND PART LIST



NO	PART NAME	NO	PART NAME	NO	PART NAME
1	CABINET AS	13	COMPRESSOR	25	FOOT ADJ
2	COVER CAB AS	14	PIPE SERVICE	26	CASE VAPORI
3	BASE CAB AS	15	SWITCH P-RELAY AS	27	HARNESSTIMER AS
4	PIPE HOT	16	CLAMP RELAY COVER	28	BRACKET EARTH
5	PIPE *S PLT	17	COVER P-RELAY	29	WIRE EARTH
6	PIPE SUC AS	18	BOX POWER	30	POWER CORD EARTH
7	PIPE CONN (SUC)	19	TIMER	31	SCREW MACHINE
8	DRYER AS	20	CAPACITOR RUNNING	32	VIBRATIONPROOF GUM
9	BASE COMP	21	PIPE CONN (DEL)	33	ABSORBER VAPORI
10	FIXTURE COMP BOLT	22	HARNESSTIMER AS	34	FUSE POWER
11	ABSORBER COMP RUB	23	WIRE BAND		
12	WASHER COMP *T	24	CORD POWER		

8. MAIN COMPONENTS

1. COMPRESSOR

Refrigerant	R12							
Voltage	100V/50,60Hz	110V/60Hz	115, 120V/60Hz	127V/60Hz	220V/50Hz	220V/60Hz	230V/50Hz	240V/50Hz
Comp. model	X	X	EL19J-1	FL19J-2	KL19J-5	PL19J-4	SL21YE-5	←
Part code	X	X	3953119330	3951119320	3958119350	3956119340	3954121A50	←
Strating type	X	X	RSCR	RSIR	CSIR	RSCR	RSIR	←

Refrigerant	R134a							
Voltage	100V/50,60Hz	110V/60Hz	115, 120V/60Hz	127V/60Hz	220V/50Hz	220V/60Hz	230V/50Hz	240V/50Hz
Comp. model	HEL19J	HEL19-3	X	HEL19J-3	HKL23YE-5-C	HPL19J-4	HSL23YE-5	←
Part code	3953119E00	3953119E30	X	3953119E30	3958123L50	3956119E40	3954123G50	←
Strating type	RSCR	←	X	RSCR	RSIR	CSUR	RSIR	←

2. RELAY ASSEMBLY

Refrigerant	R12							
Voltage	100V/50,60Hz	110V/60Hz	115, 120V/60Hz	127V/60Hz	220V/50Hz	220V/60Hz	230V/50Hz	240V/50Hz
Relay model	X	X	232THBYY-52	276THBYY-52	149SHBYY-52	129SHBYY-52	197SHBYY-52	←
Part code	X	X	3018113700	3018114100	3018114200	3018113800	3018113900	←

Refrigerant	R134a							
Voltage	100V/50,60Hz	110V/60Hz	115, 120V/60Hz	127V/60Hz	220V/50Hz	220V/60Hz	230V/50Hz	240V/50Hz
Relay model	427THBZZ-52	317NHBYY-52	X	317NHBYY-52	213THBYY-52	129SHBYY-52	213THBYY-52	←
Part code	3018113300	3018113600	X	3018113700	3018113400	3018113800	3018113400	←

3. RUNNING CAPACITOR

Refrigerant	R12							
Voltage	100V/50,60Hz	110V/60Hz	115, 120V/60Hz	127V/60Hz	220V/50Hz	220V/60Hz	230V/50Hz	240V/50Hz
Spec.	X	X	X	X	350V/25 μ F	X	X	X
Part code	X	X	X	X	400EL16110	X	X	X

Refrigerant	R134a							
Voltage	100V/50,60Hz	110V/60Hz	115, 120V/60Hz	127V/60Hz	220V/50Hz	220V/60Hz	230V/50Hz	240V/50Hz
Spec.	X	X	X	X	350V/25 μ F	X	X	X
Part code	X	X	X	X	400EL16110	X	X	X

4. STARTING CAPACITOR

Refrigerant	R12, R134a							
Voltage	100V/50,60Hz	110V/60Hz	115, 120V/60Hz	127V/60Hz	220V/50Hz	220V/60Hz	230V/50Hz	240V/50Hz
Spec.	X	X	230V/10 μ F	X	X	350V/25 μ F	X	X
Part code	X	X	400EL15130	X	X	400EL15110	X	X

Refrigerant	R12, R134a							
Voltage	100V/50,60Hz	110V/60Hz	115, 120V/60Hz	127V/60Hz	220V/50Hz	220V/60Hz	230V/50Hz	240V/50Hz
Spec.	250V/16 μ F	←	X	230V/10 μ F	X	X	X	X
Part code	3816400600	←	X	400EL15130	X	X	X	X

5. F-FAN MOTOR

Refrigerant	R12, R134a							
Voltage	100V/50,60Hz	110V/60Hz	115, 120V/60Hz	127V/60Hz	220V/50Hz	220V/60Hz	230V/50Hz	240V/50Hz
Spec.	3210DWNFQ-1	←	←	←	3210DWNFO-1	3210DWNFP-1	3210DWNFR-1	←
Part code	3015900430	←	←	←	3015900410	3015900420	3015900400	←

6. DEFROST HEATER (FR-2701, 2702)

Refrigerant	R12, R134a							
Voltage	100V/50,60Hz	110V/60Hz	115, 120V/60Hz	127V/60Hz	220V/50Hz	220V/60Hz	230V/50Hz	240V/50Hz
Spec.	110V/110W	←	←	←	220V/110W	←	←	←
Part code	3012803700	←	←	←	3012803900	←	←	←

7. LAMP ASSEMBLY

Refrigerant	R12, R134a							
Voltage	100V/50,60Hz	110V/60Hz	115, 120V/60Hz	127V/60Hz	220V/50Hz	220V/60Hz	230V/50Hz	240V/50Hz
Spec.	120V/15W	←	←	←	240V/15W	←	←	←
Part code	3013600050	←	←	←	3013600020	←	←	←

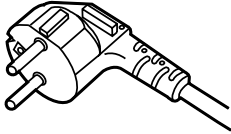
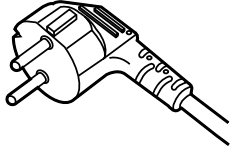
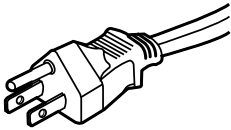
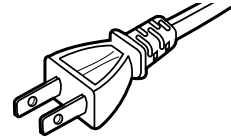
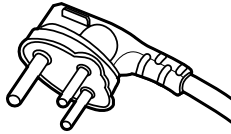
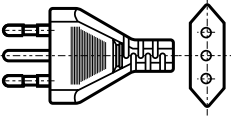
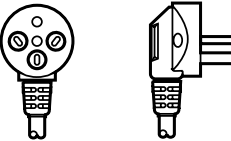
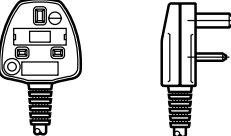
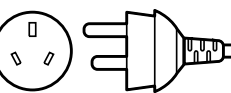
8. DEFROST TIMER

Refrigerant	R12, R134a							
Voltage	100V/50,60Hz	110V/60Hz	115, 120V/60Hz	127V/60Hz	220V/50Hz	220V/60Hz	230V/50Hz	240V/50Hz
Spec.	TMDEX09UA1	←	←	←	TMDEX09UM1	←	←	←
Part code	3018101200	←	←	←	3018100310	←	←	←

9. DRYER

Refrigerant	R12	R134a
Spec.	10 g	15 g
Part code	3016800103	3016801100

POWER CORD SPECIFICATION

NO	SHAPE OF POWER CODE	PART CODE	DESCRIPTION	REMARK
1		3011315000	CP-2PIN	FOR EUROPEAN COUNTRY
2		401RA17200	CP-2PIN	FOR OTHER COUNTRY
3		4006D17101	KP-30	FOR AMERICA
4		401PD17101	KP-211	FOR JAPAN & TAIWAN
5		3011300801	BP-3PIN	
6		3011303010	#267	FOR CHILE
7		3011315310		FOR ISRAEL
8		3011303050	BS-1363A	FOR U.K, MIDDLE ASIA SINGAPORE & MALAYSIA
9		3011301200	KP-551/550	FOR CHINA & AUSTRALIA

* Upper power cord's part code is only for lead wire, without any kinds of terminal or housing.

9. CABINET AND DOOR COLOR SPECIFICATION

1. ASSEMBLY URETHAN FREEZER DOOR (FR-2701)

1) FR-2701

Refrigerant	R12				R134a			
	Dull lamina sheet	High glossy lamina sheet	Normal PCM	High glossy bright PCM	Dull lamina sheet	High glossy lamina sheet	Normal PCM	High glossy bright PCM
Part code	X	PFDT1UE080	X	PFDT1UE210	X	PFDT1UE085	X	PFDT1UE215

2) FR-2702

Refrigerant	R12				R134a			
	Dull lamina sheet	High glossy lamina sheet	Normal PCM	High glossy bright PCM	Dull lamina sheet	High glossy lamina sheet	Normal PCM	High glossy bright PCM
Part code	X	PFDT1UE090	X	PFDT1UE200	X	PFDT1UE095	X	PFDT1UE205

2. ASSEMBLY URETHAN REFRIGERATOR DOOR

1) FR-2701

① Key type

Refrigerant	R12				R134a			
	Dull lamina sheet	High glossy lamina sheet	Normal PCM	High glossy bright PCM	Dull lamina sheet	High glossy lamina sheet	Normal PCM	High glossy bright PCM
Part code	X	PFDU2UE080	X	PFDU2UE280	X	PFDU2UE085	X	PFDU2UE285

② Non key type

Refrigerant	R12				R134a			
	Dull lamina sheet	High glossy lamina sheet	Normal PCM	High glossy bright PCM	Dull lamina sheet	High glossy lamina sheet	Normal PCM	High glossy bright PCM
Part code	X	PFDU2UE090	X	PFDU2UE270	X	PFDU2UE095	X	PFDU2UE275

2) FR-2702

① Key type

Refrigerant	R12				R134a			
	Dull lamina sheet	High glossy lamina sheet	Normal PCM	High glossy bright PCM	Dull lamina sheet	High glossy lamina sheet	Normal PCM	High glossy bright PCM
Part code	X	PEDU2UE240	X	PEDU2UE260	X	PEDU2UE245	X	PEDU2UE265

② Non key type

Refrigerant	R12				R134a			
	Dull lamina sheet	High glossy lamina sheet	Normal PCM	High glossy bright PCM	Dull lamina sheet	High glossy lamina sheet	Normal PCM	High glossy bright PCM
Part code	X	PEDU2UE230	X	PEDU2UE250	X	PEDU2UE235	X	PEDU2UE255

COLOR TABLE

1. PCM type

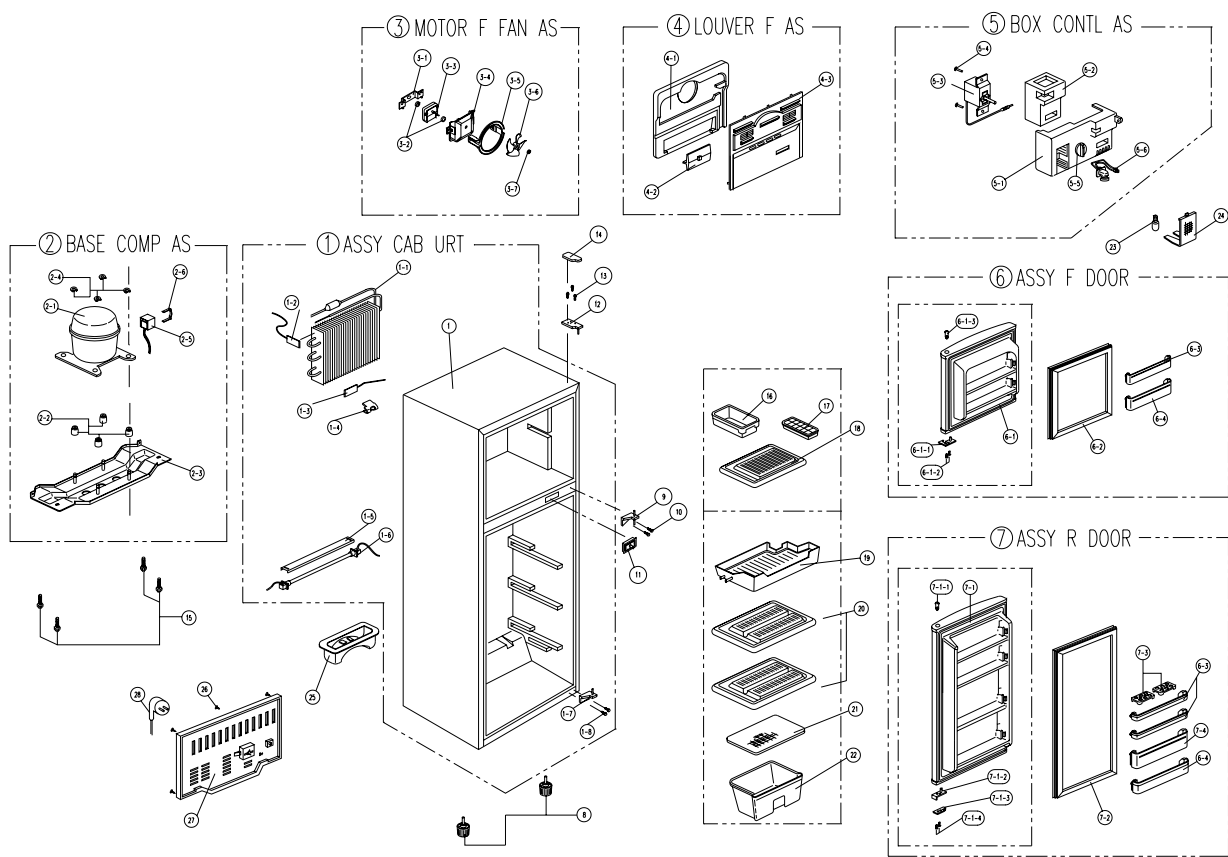
NO	COLOR CHIP	COLOR NAME
1		P/WITH (WH069)
2		'94 L/GRAY (GY158)
3		'95 L/GRAY (GY259)
4		'94 M/GRAY (GY331)
5		'95 M/GRAY (GY335)
6		'97 M/GRAY (GY267)
7		M. D/GRAY (GY750)
8		N/BUE (BL718)
9		MINT GREEN (GN206)
10		'97 BEIGE (BE215)

2. Lamina sheet type

NO	COLOR CHIP	COLOR NAME
1		P/WITH (WH069)
2		'94 L/GRAY (GY158)
3		'95 L/GRAY (GY259)
4		'94 M/GRAY (GY331)
5		'95 M/GRAY (GY335)
6		'97 M/GRAY (GY267)
7		M. D/GRAY (GY750)
8		N/BUE (BL718)
9		MINT GREEN (GN206)
10		S/GOLD
11		G/GREEN

10. EXPLODED VIEW AND PARTS LIST

1. Exploded view



2. Parts list

✓ **Caution** : In this Service Manual, some parts can be changed for improving, their performance without notice in the parts list.
 So, if you need the latest parts information, please refer to PPL (Parts Price List) in Service Information Center
 (<http://svc.dwe.co.kr>)

NO	PART CODE	PART NAME	DESCRIPTION	QUANTITY	REMARK
1		ASS'Y CAB URT		1	
1-1	PFFRFRE110	EVAPORATOR SAS		1	
1-2	3018111800	SWITCH BI-METAL AS		1	
1-3	3017200600	FUS TEMP AS	77°C OFF	1	
1-4	4017Z90590	FIXTURE TEMP FUSE		1	
1-5	3011429900	COVER D HEATER *T	AI T0.3	1	
1-6		HEATER DEFROST AS		1	REFER TO # 9
1-7	3012906700	HINGE *U AS	P/D T3.2	1	
1-8	7650602011	BOLT HEX	M6 X20	2	
2	3010312500	BASE COMP AS	SBHG-1	1	
2-1		COMPRESSOR		1	REFER TO # 8
2-2	3010100201	ABSORBER COMP	NR-A	4	
2-3	3010312600	BASE COMP SAS		1	
2-4	4019H09030	WASHER SPECIAL	SPG T1.0	4	
2-5		SWITCH P-RELAY AS		1	REFER TO # 8
2-6	3816100100	BAND RELAY		1	
3		MOTOR F AS		1	
3-1	4017Z32234	COVER FAN MOTOR (B)		1	
3-2	4017Z08430	ABSORBER MOTOR		1	
3-3		MOTOR F FAN		1	REFER TO # 9
3-4	4017Z32233	COVER FAN MOTOR(C)		1	
3-5	4019H32230	COVER FAN MOTOR(A)		1	
3-6	4019H10310	FAN	ABS	1	
3-7	4019H10060	FAN FIX RING		1	
4	3018906000	LOUVER F AS		1	
4-1	3013328000	INSU F LUVR AS	F-PS	1	
4-2	3013401000	KNOB F LUVR	PP	1	
4-3	3018904900	LOUVER F	PP	1	
5	3010517500	BOX CONTL AS		1	
5-1	3010514300	BOX CONTL	HIPS	1	
5-2	3013328100	INSU CONTL BOX AS	F-PS	1	
5-3	3018301300	THERMOSTAT	PFN 175-D1 BU-274	1	
5-4	7112401211	SCREW TAPPING	T1TRS 4 X12	2	
5-5	4008Z14310	KNOB THERMOSTAT	ABS	1	
5-6	3017900600	SCOKET R LAMP AS	15W	1	
6		ASSY F DOOR		1	
6-1		DOOR F URT AS	PRE+URT	1	REFER TO # 11
6-1-1	3015200900	STOPPER *M HI	POM	1	

NO	PART CODE	PART NAME	DESCRIPTION	QUANTITY	REMARK
6-1-2	7112401611	SCREW TAPPING	T1 TRS 4 X 16 MFZN	2	
6-1-3	4010Y36211	BUSHING R HNDL	PP	1	
6-2	3012306100	GASKET F DR AS	PVC+MAGENT	1	
6-3	3019007800	POCKET F *T	GPPS	3	
6-4	3019007900	POCKET F *U	GPPS	2	
7		ASSY R DOOR		1	
7-1		DOOR R URT AS	PRE+URT	1	REFER TO # 11
7-1-1	4010Y36211	BUSHING R HNDL	PP	1	
7-1-2	4010G38023	BUSHING R DOOR	PA-66	1	
7-1-3	4010G38034	STOPPER R DOOR	SGCC T3.0	1	
7-1-4	7122401611	SCREW TAPPING	T2TRS 4 X 16	1	
7-2	3012306000	GASKET R DR AS	PVC+MAGNET	1	
7-3	3011112200	CASE EGG	GPPS	1	
7-4	3019007700	POCKET BOTTLE	GPPS	1	
8	4001E32531	FOOT ADJ AS	PP+M6 BOLT	1	
9	3012906300	HINGE *M AS	P/D T3.2	1	
10	3016004000	SPECIAL BOLT	M6 XL10	2	
11	3011721300	DOOR SWITCH AS		1	
12	3012906500	HINGE *T AS	SPC-1 T2.3	1	
13	3016000301	SPECIAL SCREW	M5 XL14	1	
14	3011430100	COVER *T HI	PP	1	
15	7650602011	BOLT HEX	M6 XL20	1	
16	4017Z99112	CASE ICE	GPPS	1	
17	4017Z98110	CASE ICING	PE	1	
18	3017811000	SHELF F	GPPS	1	
19	3011112000	CASE CHILLED	GPPS	1	
20	3017811100	SHELF R	GPPS	2	
21	3011430000	COVER CASE VEGETB	GLASS	1	
22	3011119000	CASE VEGETB	GPPS	1	
23		LAMP AS		1	REFER TO # 9
24	4017Z87570	SHADE R	HC-2	1	
25	3011116100	CASE VAPORI AS	AL A1100	1	
26	3012400300	GRILLE	PP	1	
27	7112401211	SCREW TAPPING	T1TRS 4 X 12	5	
28		CORD POWER AS		1	REFER TO # 10