



**SPORTS**

# User Guide

## 2 Player Basketball Game

Now you have purchased an CRANE® product you can rest assured in the knowledge that as well as your Manufacturer's warranty you have the added peace of mind of dedicated helplines and web support



### AFTER SALES SUPPORT



USA

877-852-8164



[mmdservice@themdsports.com](mailto:mmdservice@themdsports.com)

**MODEL: 45884**

# Contents

---

- 02 Introduction
- 03 General Information and Safety Instructions
- 04 Assembly and Parts List
- 12 Electronic Scoreboard Instructions
- 14 FAQ
- 14 Other Useful Information
- 15 Warranty Card



## i. Introduction

### **Congratulations!**

You have made an excellent choice with the purchase of this quality Crane® product.

By doing so you now have the assurance and peace of mind which comes from purchasing a product that has been manufactured to the highest standards of performance and safety, supported by the high quality standards of ALDI.

This product is covered by a limited warranty that is effective for 2 years from the date of purchase. If, during the limited warranty period, a part is found to be defective or breaks, we will offer replacement part at no cost to you, the customer.

The above warranty will not apply in cases of damages due to improper usage, alteration, misuse, abuse, accidental damage or neglect.

This limited warranty gives you specific legal rights and you may also have other rights which vary from one State (province) to another.

Please save these instructions. A purchase receipt (or other proof of purchase date) will be required before any warranty service is initiated. All requests for warranty service, please feel free to contact our Consumer Service Department at 877-852-8164.

Please be aware of your product's limited warranty for the return/refund policy from the store, We can not handle the product which is out of product's limited warranty since we only provide available parts.



## ii. General Information and Safety Instructions



### **WARNING:**

Adult supervision is required at all times when children are in the area. Being struck by a thrown object can cause serious injury.



### **WARNING:**

This is not a child's toy. Adult supervision is required for children playing this game. Please read instructions carefully. Proper use of this can avoid damage or injury.



### **WARNING:**

- 1) Requires 3 "AAA" batteries (Included).
- 2) Do not mix old and new batteries.
- 3) Do not mix alkaline, standard (carbon zinc), or rechargeable (nickel-cadmium) batteries.

**WARNING:** Changes or modifications not expressly approved by the party responsible for compliance could void the user's authority to operate the equipment.











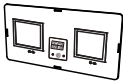
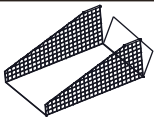

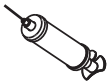

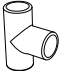
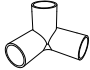
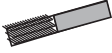
**NOTE:** This equipment has been tested and found to comply with the limits for a Class B digital device, pursuant to Part 15 of the FCC Rules. These limits are designed to provide reasonable protection against harmful interference in a residential installation. This equipment generates, uses and can radiate radio frequency energy and, if not installed and used in accordance with the instructions, may cause harmful interference to radio communications. However, there is no guarantee that interference will not occur in a particular installation. If this equipment does cause harmful interference to radio or television reception, which can be determined by turning the equipment off and on, the user is encouraged to try to correct the interference by one or more of the following measures:

- Reorient or relocate the receiving antenna.
- Increase the separation between the equipment and receiver.
- Connect the equipment into an outlet on a circuit different from that to which the receiver is connected.
- Consult the dealer or an experienced radio/TV technician for help.


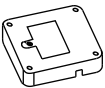



### iii. Assembly and Parts List

#### 45884 PARTS LIST

|   |   |   |  |
|---|---|---|--|
| 1<br><br>x6<br>Tube - 1<br>Φ25.4x698mm     | 2<br><br>x4<br>Tube - 2<br>Φ25.4x514mm   | 3<br><br>x2<br>Tube - 3<br>Φ25.4x584mm | 4<br><br>x2<br>Tube - 4<br>Φ25.4x610x160mm |
| 5<br><br>x4<br>Tube - 5<br>Φ25.4x464mm     | 6<br><br>x2<br>Tube - 6<br>Φ25.4x349mm   | 7<br><br>x2<br>Tube - 7<br>Φ25.4x206mm | 8<br><br>x2<br>Tube - 8<br>Φ25.4x89mm      |
| 9<br><br>x2<br>Tube - 9<br>Φ25.4x550x120mm | 10<br><br>x1<br>Tube - 10<br>Φ25.4x698mm | 11<br><br>x1<br>Backboard              | 12<br><br>x1<br>Ball Return Net            |
| 13<br><br>x4<br>Basketball<br>5" Dia.      | 14<br><br>x1<br>Air Pump                 | 15<br><br>x6<br>Straight<br>Connector  | 16<br><br>x6<br>T Connector               |
| 17<br><br>x8<br>3 Way Connector           | 18<br><br>x7<br>Velcro                   |   |  |

#### 45884 PRE-INSTALLED PARTS

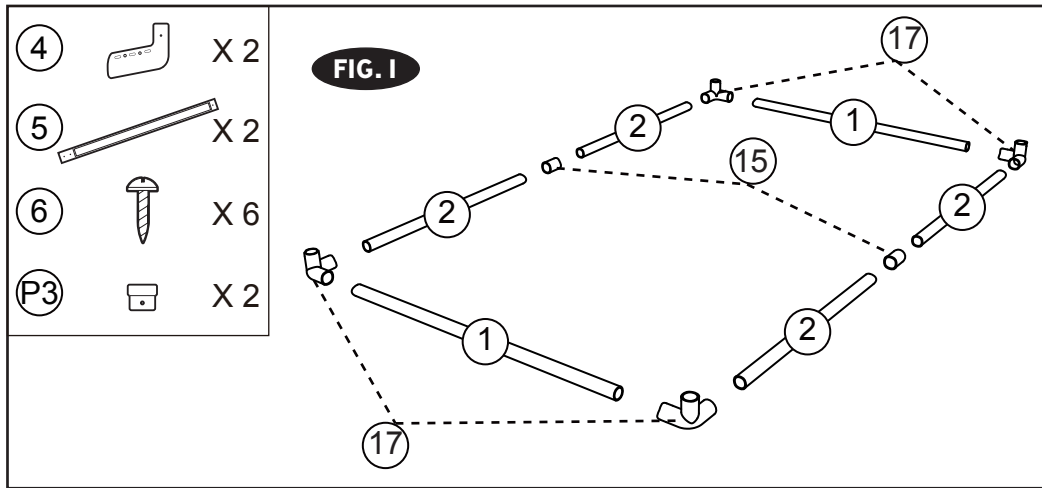
|  |   |  |
|--|---|--|
| P1<br><br>x2<br>Rim Net | P2<br><br>x1<br>Electronic<br>Scorer | P3<br><br>x2<br>Rim with Paddle |
|--|---|--|

### ASSEMBLY INSTRUCTIONS:

1. Find a clean, level place to begin the assembly of your Basketball Game. We recommend that two adults work together to assemble this basketball game.
2. Remove all the parts from the box and verify that you have all of the listed parts as shown on the Parts list below. Carefully cut or tear the four corners of the box so that the bottom of the box can be used as your work surface.

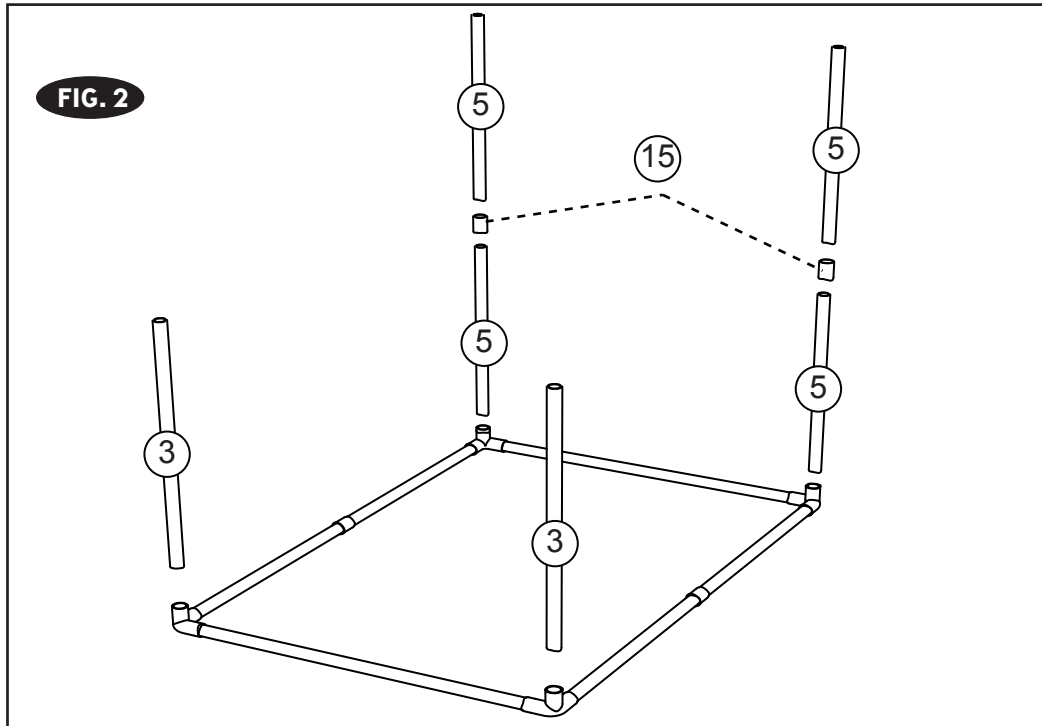
### FIG.1

3. Attach tube 1, 2 with connector 15, 17 as shown in FIG 1.



### FIG.2

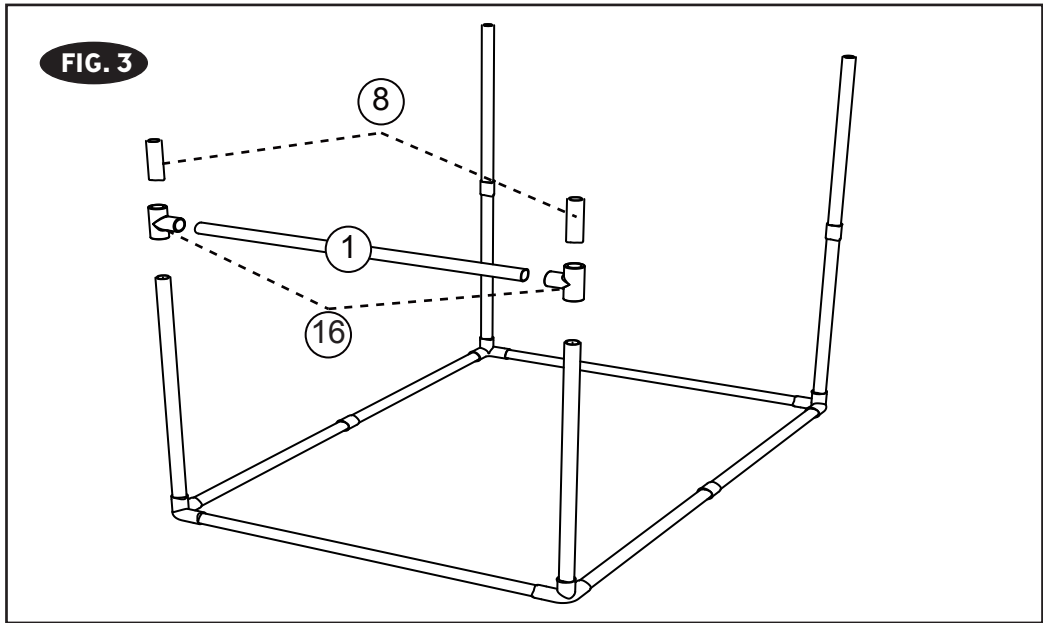
4. Attach tube 3, 5 with connector 15 as shown in FIG 2.



5

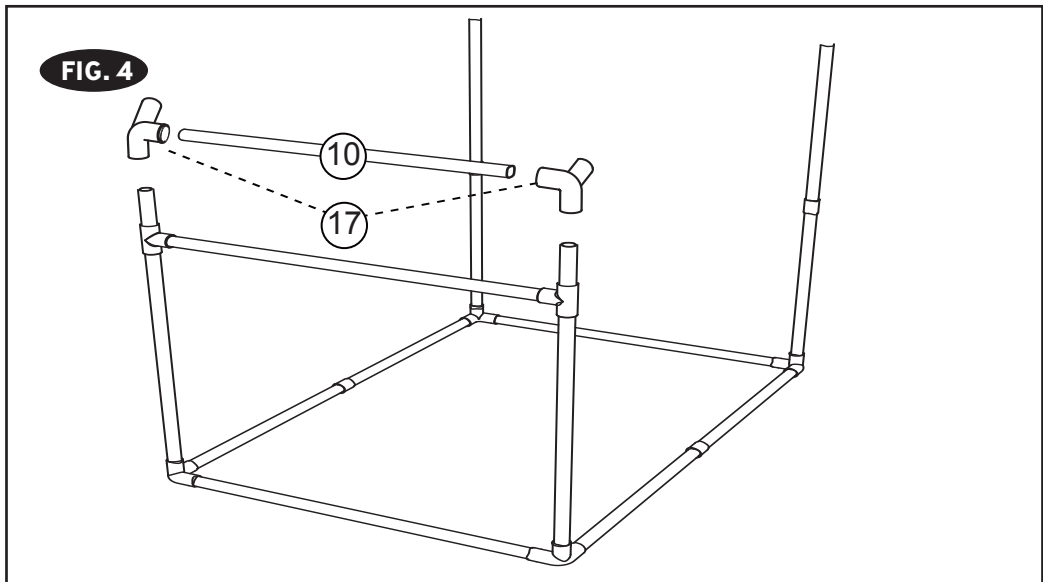
### FIG.3

5. Attach tube 1, 8 with T connector 16, as shown in FIG 3.



### FIG.4

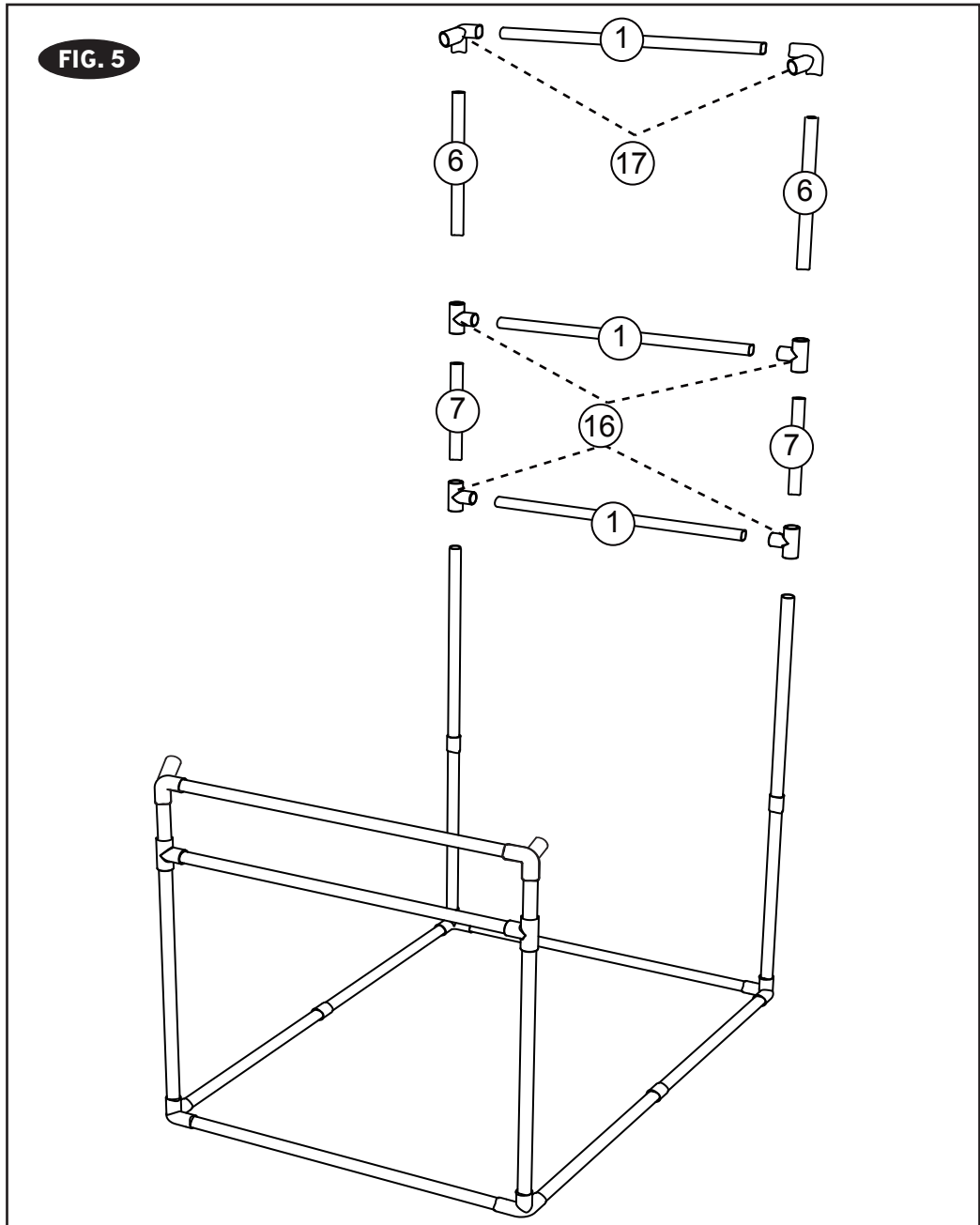
6. Attach tube 10 with connector 17 as shown in FIG 4.



6

**FIG.5**

7. Attach tube 1, 6, 7 with connector 16, 17 as shown in FIG 5.

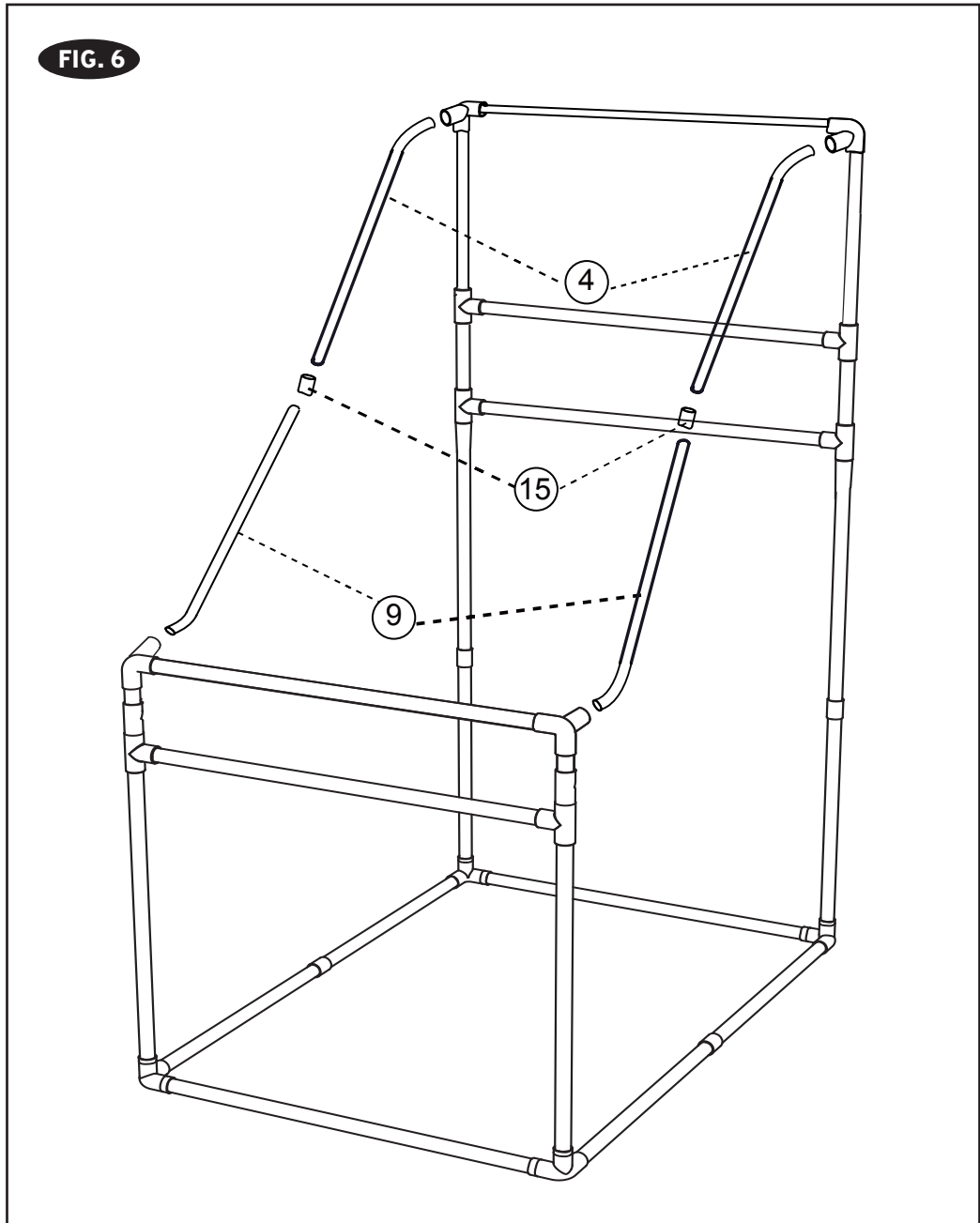


7



**FIG.6**

8. Attach tube 4, 9 with connector 15 as shown in FIG 6.

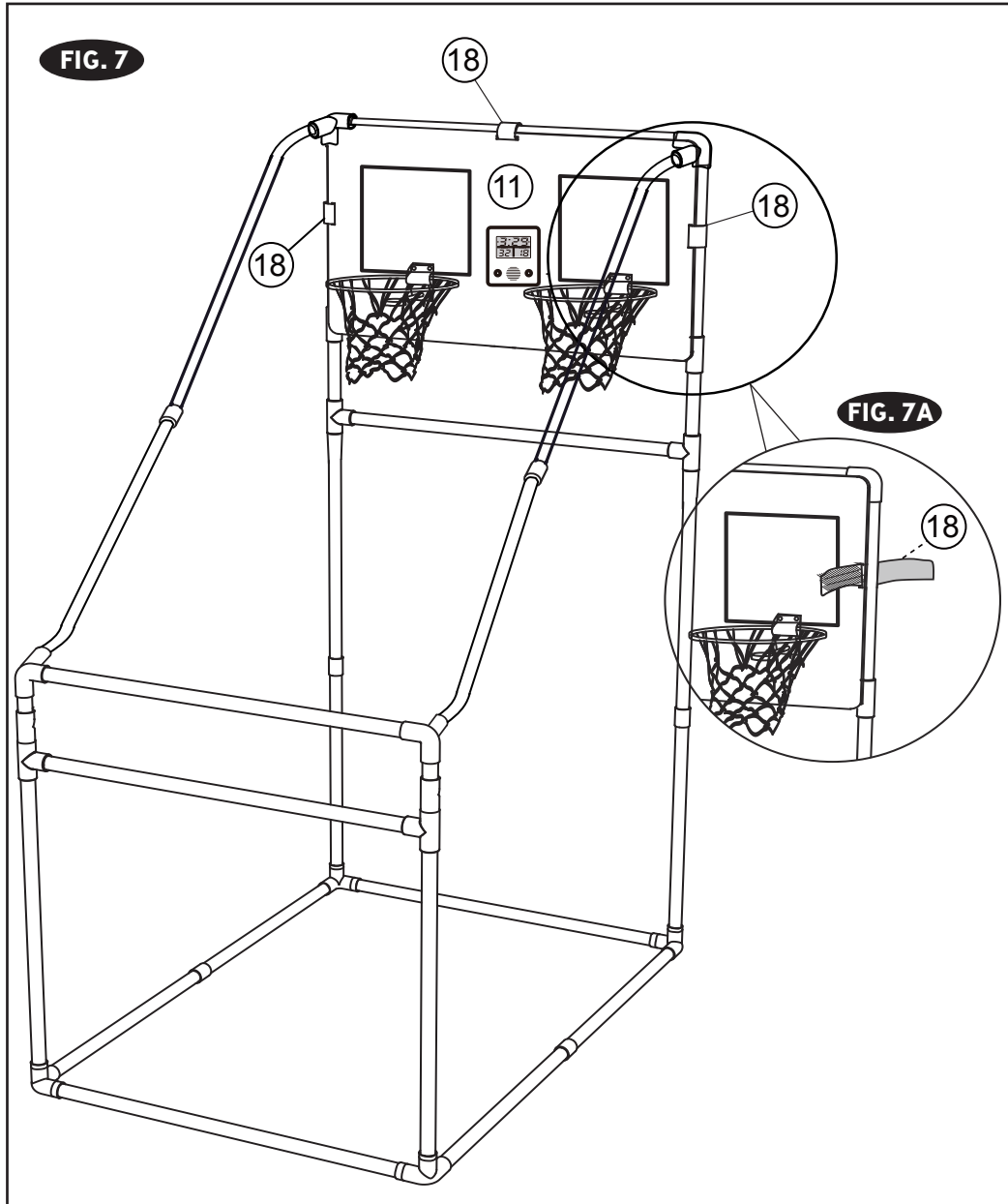


8



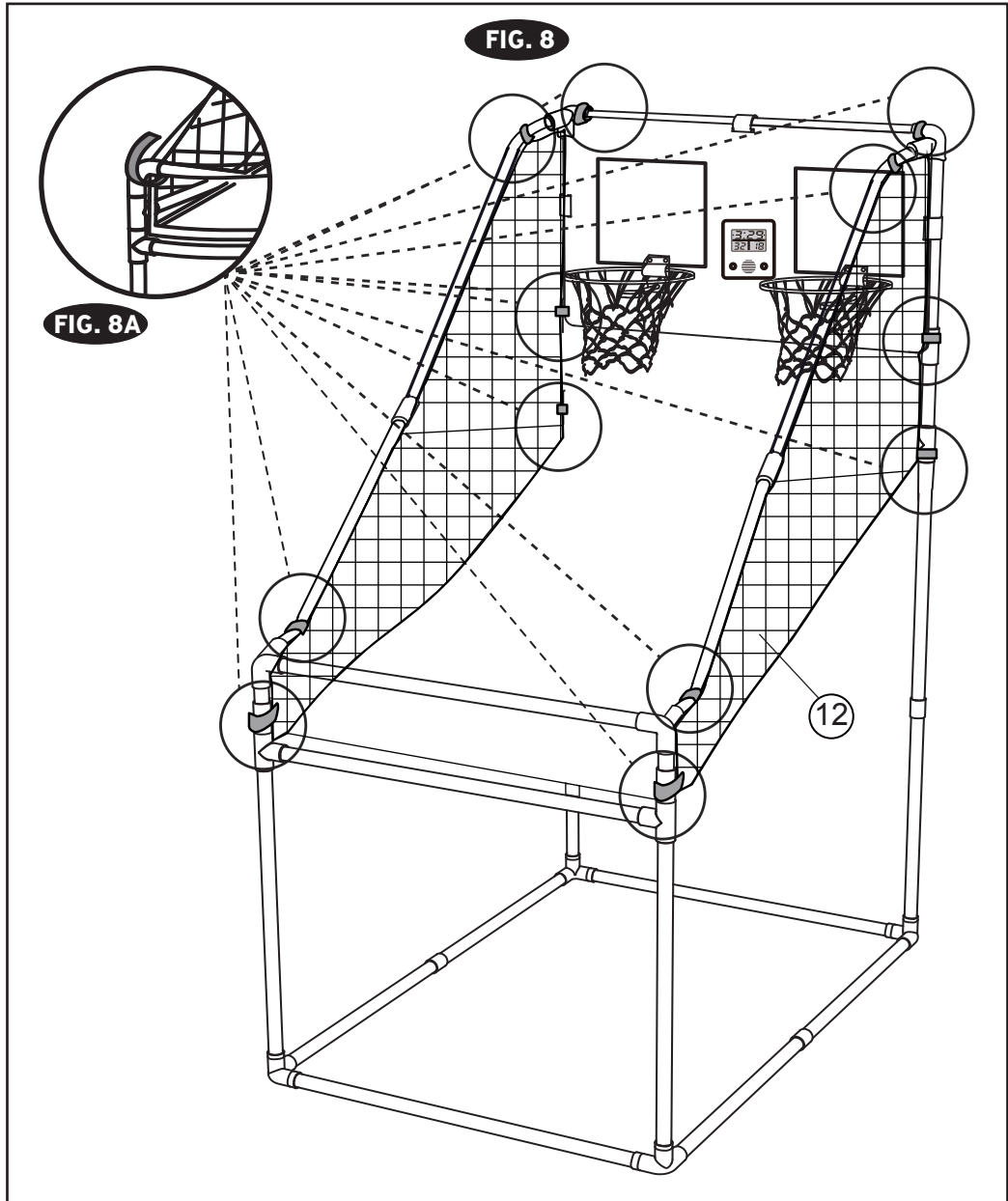
**FIG.7**

9. Attach the Backboard (#11) to the Tubes using four Velcros (#18) as shown in FIG. 7 and 7A.



**FIG. 8**

10. Slide velcro strap of Ball Return Net (#12) to the mainframe (pre-installed).  
See FIG. 8 and 8A.

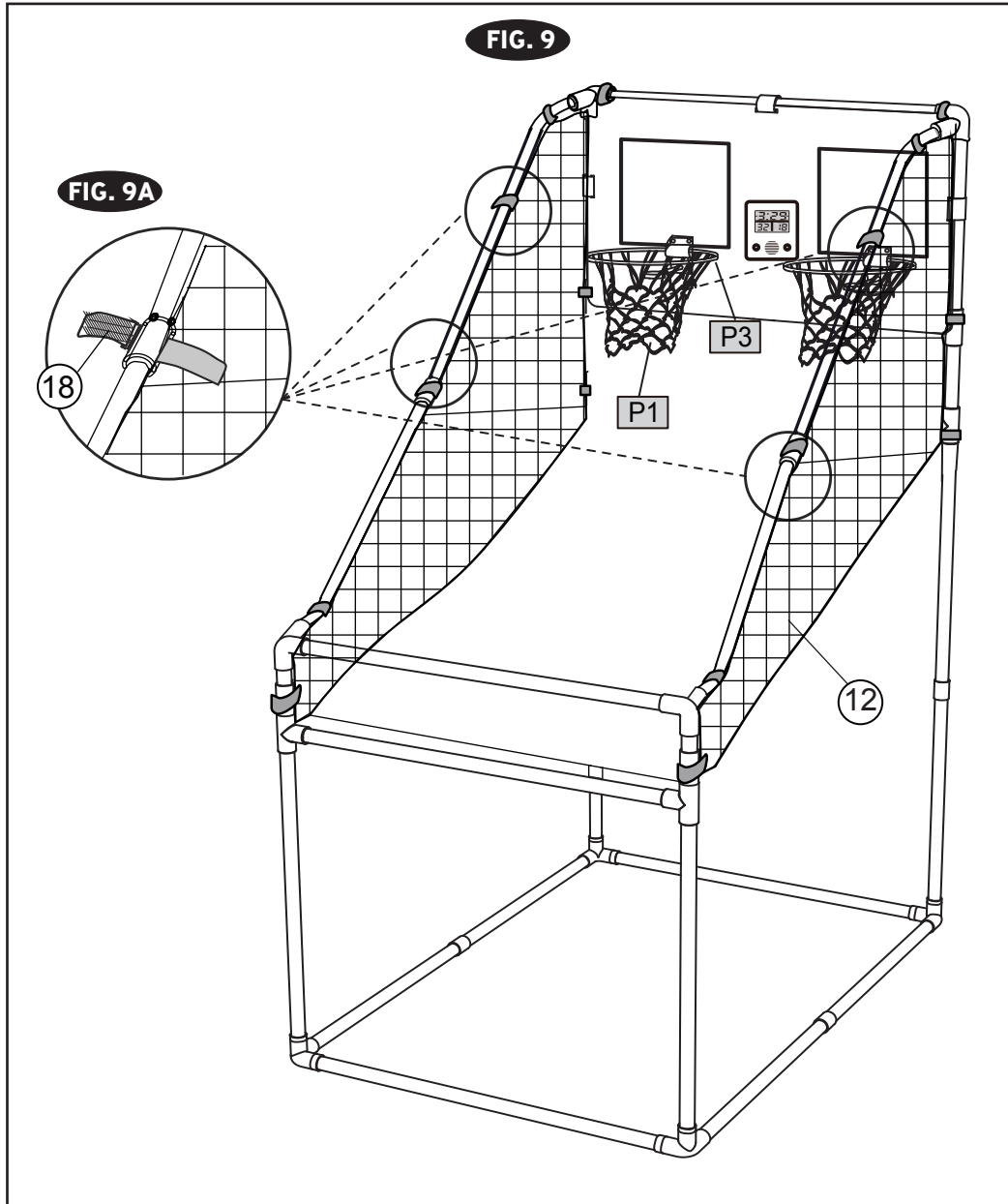


10



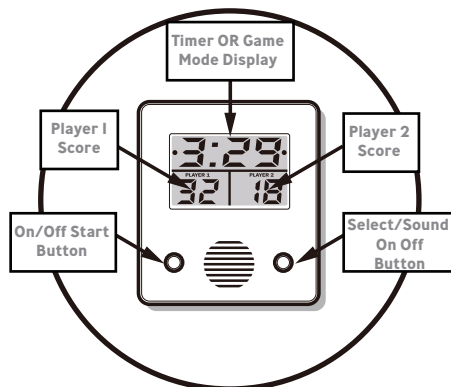
## FIG. 9

II. Attach the Ball Return Net (#12) to the Tubes using four Velcros (#18) as shown in FIG. 9 and 9A.



II

## iv. ELECTRONIC SCOREBOARD INSTRUCTIONS



### How To Play

1. To turn game power on, press **ON/OFF/START** button. Note: Display will read G I.
2. To turn game power off, press and hold **ON/OFF/START** button for approximately 3 seconds.
3. To switch between game modes after game is turned on, press **SELECT/SOUND ON OFF** button.
4. Once game mode is selected, for example G I, press **ON/OFF/START** button to begin play.
5. To turn sound off, press and hold **SELECT/SOUND ON OFF** button for approximately 3 seconds. To turn sound back on, repeat.

### Game Modes

#### G 1: Single Player, One Hoop

- . Player must score only on Home hoop.
- . 2 points are counted for every shot made on only the Home hoop.
- . There is no time limit or point maximum.

#### G 2: Single Player, Any Hoop

- . Player must score on HOME or VISITOR hoop.
- . 2 points are counted for every shot made on either hoop.
- . There is no time limit or point maximum.

#### G 3: Single Player, Alternating Hoop

- . Player must score on alternating hoops. For example: score on HOME, score on VISITOR, score on HOME, score on VISITOR, etc.
- . 2 points are counted for every shot made on the correct hoop.
- . There is no time limit or point maximum.

#### G 4: Two Player, Count Up

- . Each player must score on their own hoop - HOME or VISITOR.
- . 2 points are counted for every shot made.
- . Time is preset to one minute.
- . The winner is the player who scores the most points in one minute on their own hoop.

G 5: Two Player, Count Down

- . Each player must score on their own hoop - HOME or VISITOR.
- . Each player starts with 20 points and 2 points are deducted for every shot made in their own hoop.
- . There is no time limit.
- . The winner is the player who gets to zero, or scores 10 shots, first.

G 6: Two Player, Match Play

- . There are 12 games in a match. Each game is 5 seconds.
- . Each player must score on their own hoop - HOME or VISITOR.
- . The player that scores first on their own hoop during each 5 second game receives 2 points.
- . The winner is the player with the most points at the end of the 12 game match.

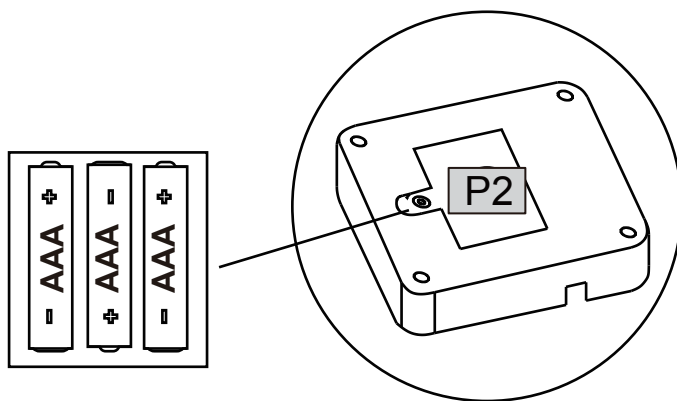
G 7: Two Player, Pro-Match Play

- . Same as Match Play, above, except that during games 4-6 and 10-12, the player that scores first on their own hoop receives 3 points instead of 2.

G8 : Two Player, Any Hoop, 10 scores in 99 seconds.

- . Each Player can score on Home or Visitor hoop.
- . Game Finished at either scores 10 or 99 seconds.
- . 2 Points are counted for every shot made.

The Electronic System goes into sleep mode after 13 minutes



**Reminding:**

- Batteries must be installed according to the correct polarization (+ and -) requires.
- Please clean the battery contacts and also those of the devices prior to battery installation.
- If the game will not be used for a long period of time, we recommend that the batteries should be removed.

## v. FAQ

Please Keep Your Instructions! Your Model number is necessary when you need to contact us. Please read through this instruction manual to familiarize yourself with all parts and assembly steps. Kindly refer to the parts list and be sure that all parts have been included.

If you are missing parts, or, if you have any questions, please contact our fast and friendly service center on: **877-852-8164**

## vi. Other Useful Information

Please read the instructions carefully, and follow all assembly, operation or safety instructions properly in order to avoid damage or injury. For the assembly, at least one adult is required.

Some figures or drawings may not look exactly like your product. Please read and understand the text before beginning each assembly step.



## vii. Warranty Card



### 2 Player Basketball Game Warranty Card

Your details:

Name \_\_\_\_\_

Address \_\_\_\_\_

\_\_\_\_\_

 \_\_\_\_\_ Email \_\_\_\_\_

Date of purchase\* \_\_\_\_\_

\* We recommend you keep the receipt with this warranty card

Location of purchase \_\_\_\_\_

Description of malfunction:

Return your completed warranty card to:

Medal Sports (B.V.I.) Ltd.  
7407 Washington Avenue S.,  
Edina,  
MN 55439,  
USA.  
E-mail: [mmdservice@themdsports.com](mailto:mmdservice@themdsports.com)

#### AFTER SALES SUPPORT

  877-852-8164  [mmdservice@themdsports.com](mailto:mmdservice@themdsports.com)

MODEL: 45884

**2**  
YEARS  
WARRANTY

