

Instruction Manual

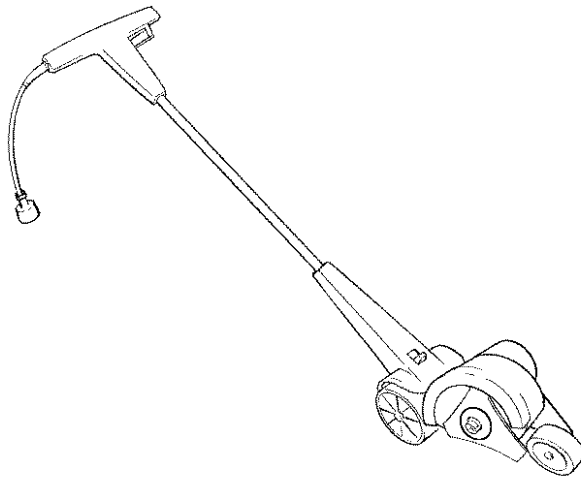


3.0 H.P.

ELECTRIC EDGER

Model No.
358.796520

- Safety
- Assembly
- Operation
- Maintenance
- Español



WARNING:

Read and follow all Safety Rules and Operating Instructions before first use of this product.



For answers to your questions about this product:
Call 7 am-7 pm, Mon-Sat; Sun, 10 am-7 pm

1-800-235-5878 (Hours listed are Central Time)

Sears, Roebuck and Co., Hoffman Estates, IL 60179 U.S.A.

TABLE OF CONTENTS

Warranty Statement	2	Service & Adjustments	8
Safety Rules	2	Storage	9
Assembly	5	Troubleshooting Chart	9
Operation	6	Spanish	10
Maintenance	8	Parts Ordering	Back Cover

WARRANTY STATEMENT

FULL TWO YEAR WARRANTY ON CRAFTSMAN ELECTRIC EDGER

If this Craftsman Electric Edger fails to perform properly due to a defect in material or workmanship within (2) two years from the date of purchase, Sears will replace it free of charge.

If this edger is used for commercial purposes, this warranty applies for only 90 days from the date of purchase.

If this edger is used for rental purposes, this warranty applies for only 30 days from the date of purchase.

This warranty does not cover the blade.

WARRANTY SERVICE IS AVAILABLE BY RETURNING THE CRAFTSMAN ELECTRIC EDGER TO THE NEAREST SEARS STORE OR SERVICE CENTER IN THE UNITED STATES.

This warranty gives you specific legal rights, and you may also have other rights which vary from state to state.

Sears, Roebuck and Co., D/817 WA, Hoffman Estates, IL 60179

SAFETY RULES

⚠ WARNING: When using electric edgers, basic safety precautions should always be followed to reduce the risk of fire, electric shock, and personal injury. Read all instructions and safety information throughout this manual.

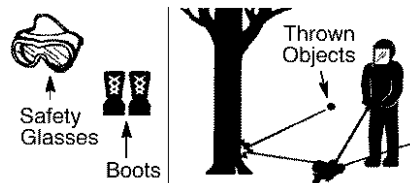
⚠ DANGER: THIS POWER UNIT CAN BE DANGEROUS! This unit can cause serious injury including amputation or blindness to the operator and others. The warnings and safety instructions in this manual must be followed to provide reasonable safety and efficiency in using this unit. The operator is responsible for following warnings and instructions in this manual and on unit. Read entire instruction manual before assembling and using this unit! Restrict use of this power tool to persons who read, understand, and follow warnings and instructions in this manual and on the unit. Never allow children to operate this unit.



SAFETY INFORMATION
ON THE UNIT

OPERATOR SAFETY

- Dress properly. Always wear safety glasses or similar eye protection when operating, or performing maintenance on your unit. (Safety glasses are available.) Always wear face or dust mask if operation is dusty. Always wear heavy, long pants, long sleeves, boots, and gloves. Do not go barefoot or wear sandals.



- Secure hair above shoulder length. Secure or remove loose clothing and jewelry or clothing with loosely hanging ties, straps, tassels, etc. They can be caught in moving parts.
- Being fully covered also helps protect you from debris and pieces of toxic plants thrown by the blade.
- Stay alert. Do not operate unit when you are tired, ill, upset or under influence of alcohol, drugs, or medication. Watch what you are doing; use common sense.

- Avoid unintentional starting of the unit. Never carry the unit with your finger on the switch. Be sure the switch is not in the on position when connecting the extension cord.

⚠ DANGER: RISK OF CUT. KEEP HANDS AND FEET AWAY FROM BLADE AND CUTTING AREA. Do not attempt to clear away cut material when the blade is in motion. Make sure switch is in the off position and the power source is disconnected when removing jammed material from the cutting blade. Do not grab or hold unit by the cutting blade.



CAUTION: Blade rotates momentarily after the switch is released.

ELECTRICAL SAFETY

⚠ WARNING: Avoid a dangerous environment. To reduce the risk of electrical shock, do not use in rain, in damp or wet locations, or around swimming pools, hot tubs, etc. Do not expose to snow, rain, or water to avoid the possibility of electrical shock. Do not handle extension cord or plug with wet hands.

- Use only a voltage supply as shown on the nameplate of the unit.
- Avoid dangerous situations. Do not use in the presence of flammable liquids or gases to avoid creating a fire or explosion and/or causing damage to unit.
- To reduce the risk of electrical shock, this equipment has a polarized plug (one blade is wider than the other) and will require the use of a polarized extension cord. The appliance plug will fit into a polarized extension cord only one way. If the plug does not fit fully into the extension cord, reverse the plug. If the plug still does not fit, obtain a correct polarized extension cord. A polarized extension cord will require the use of a polarized wall outlet. This plug will fit into the polarized wall outlet only one way. If plug does not fit fully into the wall outlet, reverse the plug. If it still does not fit, contact a qualified electrician to install the proper wall outlet. Do not change the equipment plug, extension cord receptacle, or extension cord plug in any way.

- To reduce risk of electrical shock, use extension cords specifically marked as suitable for outdoor appliances having electrical rating not less than the rating of unit. Cord must be marked with suffix "W-A" (in Canada "W"). Make sure your extension cord is in good condition. Inspect extension cord before use and replace if damaged. Do not use a damaged cord. Cord insulation must be intact with no cracks or deterioration. Plug connectors must be undamaged. An undersized extension cord will cause a drop in line voltage resulting in loss of power and overheating. If in doubt, use the next heavier gauge. The lower the gauge number, the heavier the cord (see SELECT AN EXTENSION CORD in the ASSEMBLY section).

- Do not use multiple cords.
- Do not attempt to repair unit. Inspect insulation and connectors on unit and appliance cord before each use. If there is any damage, do not use until damage is repaired by your Sears Service Center.
- Inspect extension cords before each use and replace if damaged.
- Don't abuse cord. Never carry unit by the cord or yank extension cord to disconnect unit.
- To reduce the possibility of the extension cord disconnecting from the unit during operation, tie the power cord on the unit. See SELECT AN EXTENSION CORD in the ASSEMBLY section. Insert cord socket on the unit into the extension cord receptacle.
- Do not use unit if the switch does not turn the unit on and off properly. Repairs to the switch must be made by your Sears Service Center.
- Keep extension cord clear of operator, unit, and obstacles at all times. Do not expose the cord to heat, oil, water, or sharp edges.



- To avoid the possibility of electric shock, avoid body contact with any grounded conductor, such as metal pipes or wire fences.
- Ground Fault Circuit Interrupter (GFCI) protection should be provided on the circuit or outlet to be used for this unit.

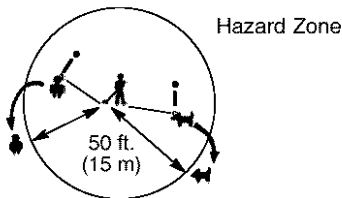
Receptacles are available having built-in GFCI protection and may be used for this measure of safety.

UNIT SAFETY

- Do not attempt to repair unit. Inspect entire unit and extension cord before each use. Have damaged parts repaired or replaced by your Sears Service Center. Make sure all fasteners, handles, and guards are in place and securely fastened. A guard or other part that is damaged should be properly repaired or replaced by a Sears Service Center.
- Replace blades that are bent, warped, cracked, broken, or damaged in any other way.
- Before using your unit, have your Sears Service Center repair or replace parts that are cracked, chipped, broken, or damaged in any other way.
- Use only Craftsman replacement blades and accessories as recommended for this unit. Never use wire, rope, string, etc. Use of any other accessory or attachment may increase the risk of injury or cause damage to the unit.
- Keep blade guard in place and in good working order.

EDGING SAFETY

- Inspect the area to be edged before each use. Remove objects (rocks, broken glass, nails, wire, string, etc.) which can be thrown by blade or can wrap around blade shaft.
- Keep children away. Keep others including children, animals, bystanders and helpers outside the 100 foot (30 meter) Hazard Zone. Stop the unit immediately if you are approached.



- Always keep unit in front of your body. Keep hands and feet away from cutting area.
- Hold the unit firmly with both hands.
- Do not overreach or use from unstable support. Keep firm footing and balance at all times.
- Keep wheels in contact with ground.
- Do not raise the unit above the ground. The blade can come dangerously close to your body.

- Always push unit slowly over ground. Stay alert for uneven sidewalks, holes in terrain, large roots, etc.
- Do not force the unit; it will do the job better and with less likelihood of a risk of injury at the rate for which it was designed. Use the right appliance. Use only for jobs explained in this manual.

MAINTENANCE SAFETY

⚠ WARNING: Disconnect unit from the power source before performing maintenance or changing blades.

- Maintain unit with care. Maintain unit according to recommended procedures. Follow instructions for changing blades in the SERVICE AND ADJUSTMENTS section. Keep blade and blade guard clean to reduce the risk of injury.
- Never start unit with blade guard removed; blade can fly off or can throw objects and cause serious injury.
- Have all maintenance and service not explained in this manual performed by a Sears Service Center.
- Never douse or squirt the unit with water or any other liquid. Clean the unit and labels with a damp sponge. Keep handles dry, clean, and free from oil and grease.


TRANSPORTING & STORAGE

- Transport unit with motor stopped and the blade away from your body.
- Do not grasp or hold exposed blade.
- Unplug unit before storing; secure unit when transporting it in a vehicle.
- Store unit so the blade cannot accidentally cause injury. The unit can be hung by the handle.
- Store unit indoors. Store unit unplugged in a high, dry place out of reach of children.

DOUBLE INSULATION CONSTRUCTION

This unit is double insulated to help protect against electric shock. Double insulation construction consists of two separate "layers" of electrical insulation instead of grounding. Tools and appliances built with a double insulation system are not intended to be grounded. No grounding means is provided on this unit, nor should a means of grounding be added to this unit. As a result, the extension cord used with your unit can be plugged into any standard 120 volt electrical outlet. Safety precautions must be observed when operating any electrical tool. The double insulation system only provides added protection against injury resulting from an internal electrical insulation failure.

⚠ WARNING: All electrical repairs to this unit, including housing, switch, motor, etc., must be diagnosed and repaired by qualified service personnel. Replacement parts for a double insulated appliance must be identical to the parts they replace. A double insulated appliance is marked with the words DOUBLE INSULATION or DOUBLE INSU-

LATED. The symbol  (square within a square) may also be marked on the appliance. Failure to have the unit repaired by Sears service personnel can cause the double insulation construction to become ineffective and result in serious injury.

SAVE THESE INSTRUCTIONS

ASSEMBLY

CARTON CONTENTS

Check carton contents against the following list.

Model 358.796520

- Edger
- Screws
- Locknuts

Examine parts for damage. Do not use damaged parts.

NOTE: If you need assistance or find that parts are missing or damaged, call 1-800-235-5878.

ASSEMBLY

⚠ WARNING: If received assembled, repeat all steps to ensure your unit is properly assembled and all fasteners are secure.

This instruction manual has been developed to help you assemble the unit and to provide its safe operation. It is important that you read the entire manual to become familiar with the unit before you begin assembly.

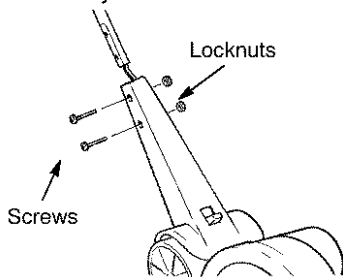
Read your instruction manual.

Tools you will need:

- Phillips screwdriver

TUBE ASSEMBLY

1. Insert tube into motor housing as shown. Align the screw holes.
2. Insert locknuts into the pockets in the motor housing.
3. Insert screws through aligned holes.
4. Thread screws into locknuts; tighten securely.



EXTENSION CORD

Use only a 120 A.C. voltage supply as shown on nameplate of the unit to power your edger.

The extension cord used to reach the power source must be:

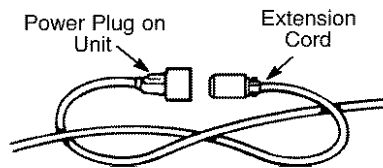
- Specifically marked as suitable for outdoor use. The cord must be marked with the suffix "W-A".
- Heavy enough to carry current from the power source the full length of the extension cord to the unit. Otherwise, loss of power and overheating can occur causing damage to unit. Refer to chart for minimum wire gauge recommendations. The cord must be marked with the proper wire gauge. (Appropriate extension cords are available at Sears.) Do not use multiple cords.
- In good condition. Cord insulation must be intact with no cracks or deterioration. Plug connectors must be undamaged.

MINIMUM WIRE GAUGE RECOMMENDATIONS			
VOLTS	25 FT. (7.67 M)	50 FT. (15.24 M)	100 FT. (30.48 M)
120	16 A.W.G.*	16 A.W.G.*	14 A.W.G.*

*American Wire Gauge

Secure extension cord to unit:

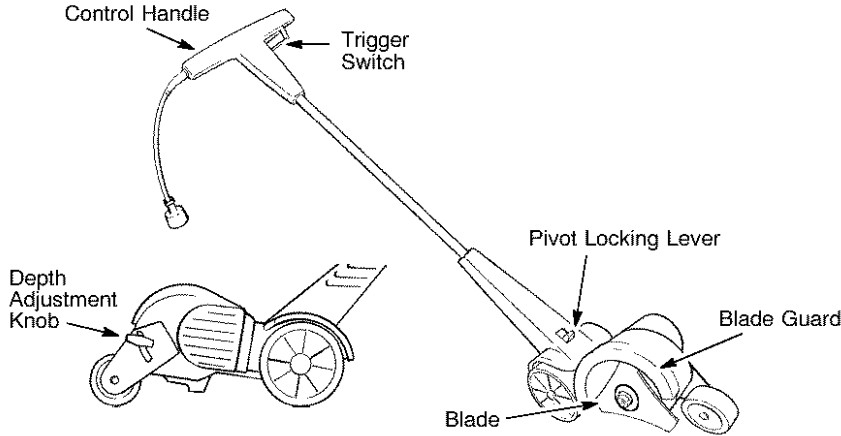
- Tie the power plug on the unit to the extension cord as shown.
- Insert plug into cord socket.



OPERATION

KNOW YOUR EDGER

READ THIS INSTRUCTION MANUAL AND SAFETY RULES BEFORE OPERATING YOUR UNIT. Compare the illustrations to your unit to familiarize yourself with the location of the various controls and adjustments. Save this manual for future reference.



TRIGGER SWITCH

The TRIGGER SWITCH is used to activate the motor.

PIVOT LOCKING LEVER

The PIVOT LOCKING LEVER is engaged to reposition the cutting angle.

BLADE

The BLADE is designed to cut grass.

BLADE GUARD

The BLADE GUARD provides protection from the spinning blade.

DEPTH ADJUSTMENT KNOB

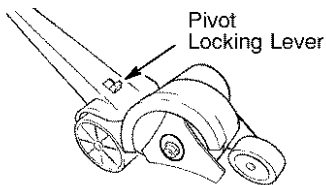
The DEPTH ADJUSTMENT KNOB allows you to adjust blade to the desired depth.

OPERATING POSITION

Your unit has two operating positions, one for edging, one for beveling.

To set operating position:

1. Move pivot locking lever toward handle and hold.
2. Pivot motor to desired position.
3. Release pivot locking lever, making sure motor locks into position.

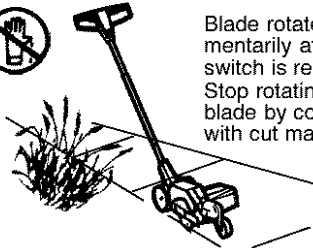


EDGING METHODS

WARNING: The operator or others must not try to clear away cut material with the motor running or the blade turning to avoid serious injury.

WARNING: Stop motor and blade and disconnect unit from power source before removing materials wrapped around blade shaft to avoid injury.

- Allow the motor to reach full speed before entering the material to be cut. The blade has maximum cutting power at full speed and is less likely to bind or stall.
- If blade does not turn when switch is activated, make sure it is not stuck or bound by debris.



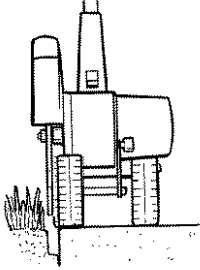
Blade rotates momentarily after the switch is released. Stop rotating blade by contact with cut material.

- Always release the switch and allow motor to stop when not cutting.
- To stop the motor, release the switch; allow blade to stop turning before removing it from the cut.

As you become familiar with your edger, you will be able to determine your own operating pace. Conditions such as depth of cut, angle of cut, and material being cut will regulate the speed and time required for your edging job.

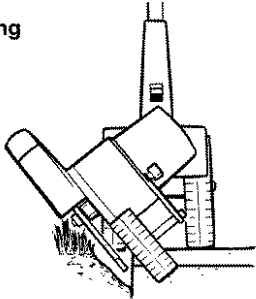
EDGING--yields precise, close cutting around sidewalks, driveways, patios, etc.

Edging



BEVELING--provides a wider cut or trench around sidewalks, driveways, patios, etc. Beveling removes more material and therefore increases motor load. Be careful to cut slowly to avoid motor stalling or overload, which may damage motor. The width of the bevel cut can be changed by adjusting the depth of the front wheel (see DEPTH ADJUSTMENT).

Beveling

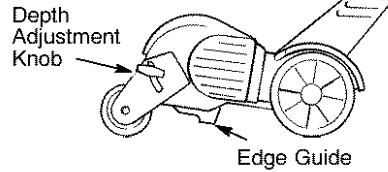


DEPTH ADJUSTMENT

The front wheel can be adjusted to allow for a deeper or shallower cut. Move the wheel up for a deeper cut, down for a shallower cut. When the wheel is adjusted all the way down (travel position), the blade is lifted clear of the ground.

Adjust as follows:

- Loosen the knob on the front wheel assembly.
- Adjust the wheel to set the blade depth. Use a higher wheel setting for deep edging, a lower wheel setting for shallow edging and trenching.
- Tighten knob securely.



OPERATING TIPS

- Allow the blade to reach full speed before placing the blade in the cut. Be careful to cut slowly to avoid motor stalling or overload, which may damage the motor.
- Keep your edging path straight by keeping the edge guide in contact with the edge of the walkway.
- Always work going away from people and solid objects such as walls, large stones, trees, automobiles, etc.
- Be careful when edging near trees or valuable plants. The high speed metal blade may cut roots and cause damage to the plants.
- Always keep blade area clean. Stop the unit, make sure blade has completely stopped turning, and disconnect unit from the power source before cleaning.
- If blade stalls, immediately raise the blade from the cut by lowering the handle. If blade continues to stall when raised, stop the unit, disconnect the power source, and inspect the blade area for blockage or damage. Clean the blade area of debris.

MAINTENANCE

CUSTOMER RESPONSIBILITIES

CARE & MAINTENANCE TASK	WHEN TO PERFORM
Check for loose fasteners and parts	Before each use
Check for damaged or worn parts	Before each use
Inspect and clean unit and labels	After each use

GENERAL RECOMMENDATIONS

The warranty on this unit does not cover items that have been subjected to operator abuse or negligence. To receive full value from the warranty, the operator must maintain unit as instructed in this manual. Various adjustments will need to be made periodically to properly maintain your unit.

CHECK FOR LOOSE FASTENERS AND PARTS

- Blade
- Blade Guard
- Housing Screws
- Handle Screws
- Wheels

CHECK FOR DAMAGED OR WORN PARTS

Contact your Sears Service Center for replacement of damaged or worn parts.

- Trigger Switch - Ensure trigger switch functions properly by releasing the switch. Make sure motor stops and blade stops turning; then restart motor and continue.
- Blade Guard - Discontinue use of unit if blade guard is damaged.

INSPECT AND CLEAN UNIT AND LABELS

- After each use, inspect complete unit for loose or damaged parts. Clean the unit using a damp cloth with a mild detergent.
- Wipe off unit with a clean dry cloth.

SERVICE AND ADJUSTMENTS

BLADE MAINTENANCE

WARNING: The blade will spin momentarily after the motor stops. Make sure blade has stopped turning and disconnect unit from the power source before performing work on the blade.

CAUTION: Wear protective gloves when handling or performing maintenance on blade to help avoid injury.

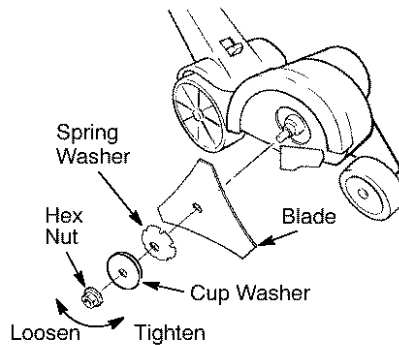
- Use the proper replacement blade. Contact your Sears store for replacement blade #71-85718.
- The blade is reversible. When the cutting edge on one side becomes worn, turn the blade over.
- Check blade for flatness periodically. Lay the blade on a flat surface and inspect the blade for flatness. Throw away a blade that is not flat.

WARNING: Always replace a blade that is bent, warped, cracked, broken, or damaged in any other way. Never attempt to straighten and reuse a damaged blade. Use only the specified replacement blade.

To reverse or replace blade:

1. Disconnect unit from power source.
2. Fit a wrench onto the shaft behind the blade.

3. Using another wrench remove hex nut, cup washer, and spring washer.
4. Remove the blade.
5. Clean all parts and check for damage. Replace damaged parts.
6. Reverse or replace blade. Reinstall blade onto shaft.
7. Install the spring washer, making sure the outer, notched edge contacts the blade.
8. Install the cup washer, making sure the lip of the washer is facing toward the spring washer.
9. Install the hex nut; tighten securely.



ACCESSORIES

- Safety Glasses 71-85707
- Extension Cord (16 Gauge) 71-85708
- Extension Cord (14 Gauge) 71-85709

CUSTOMER SERVICEABLE PARTS

- Blade 71-85718
- Spring washer (blade) 530403499
- Hex Nut (blade) 530016293
- Lock Nut (tube) 530403094
- Rear wheel 530095663

- Front wheel 530095125
- Blade Guard 530402859
- Edge guide 530402865
- Rear axle 530402876
- Front axle 530402875
- Cup Washer (axle) 530403500
- Locknut (axle) 530016245
- Spacer (axle) 530403109
- Screw (edge guide) 530016227
- Screw (tube) 530402888
- Washer (T-handle) 530402887

STORAGE

- ⚠ WARNING:** Perform the following steps after each use:
- Secure the unit before storing or transporting.
 - Store unit with all guards in place. Position unit so that any sharp object cannot accidentally cause injury.
 - Store unit well out of reach of children.

SEASONAL STORAGE

Prepare unit for storage at the end of the season or if it will not be used for 30 days or more.

If your edger is to be stored for a period of time:

- Clean the entire unit before lengthy storage.
- Inspect the blade area and clean any dirt, grass, leaves, or debris that has collected. Inspect the blade and blade guard; replace a blade that is bent,

warped, cracked, broken, or damaged in any other way.

- Replace a damaged or worn blade guard.
- Lightly oil external metal surfaces.

CAUTION: Wear protective gloves when handling the blade. The blade is sharp and can cut you even when it is not moving.

- Apply a coating of oil to entire surface of blade; wrap it in heavy paper or cloth.
- Be sure all handles and guards are in place and are securely fastened. Replace any damaged parts.
- Check entire unit for loose screws, nuts, and bolts. Replace any damaged, worn, or broken parts.
- Do not cover with plastic. Plastic cannot breathe and will induce condensation and eventual rust or corrosion.

TROUBLESHOOTING TABLE

⚠ WARNING: Always stop unit and disconnect from the power source before performing all of the recommended remedies below except remedies that require unit to be operating.

TROUBLE	CAUSE	REMEDY
Blade stops under a load or does not turn when switch is pressed.	<ol style="list-style-type: none"> 1. Forcing blade into material. 2. Blade guard clogged with debris. 3. Edge guide bent toward blade. 4. Unit unplugged. 5. Fuse blown/circuit breaker off. 6. Worn spring washer. 7. None of the above. 	<ol style="list-style-type: none"> 1. Cut at a slower pace. 2. Clean blade guard area. 3. Replace edge guide. 4. Plug unit into a 120 volt outlet. 5. Replace fuse/reset breaker. 6. Replace spring washer. 7. Contact Sears Service (see back cover).
Blade turns but will not cut.	<ol style="list-style-type: none"> 1. Wheel depth incorrect. 2. Incorrect or worn blade. 3. Worn spring washer. 	<ol style="list-style-type: none"> 1. Adjust wheel to proper depth. 2. Replace blade. 3. Replace spring washer.
Edger drags ground or cuts too deep.	<ol style="list-style-type: none"> 1. Wheel depth incorrect. 2. Wheel mount(s) broken. 	<ol style="list-style-type: none"> 1. Adjust wheel for proper depth. 2. Contact Sears Service (see back cover).

TABLA DE CONTENIDO

Declaración de Garantía	10	Servicio y Ajustes	17
Reglas de Seguridad	10	Almacenaje	18
Montaje	14	Tabla Diagnóstica	19
Uso	15	Piezas y Encargos	Contratapa
Mantenimiento	17		

DECLARACIÓN DE GARANTÍA

GARANTÍA COMPLETA DE DOS AÑOS EN LA CORTADORA DE BORDES ELECTRICA DE LA MARCA CRAFTSMAN

Si esta cortadora de bordes eléctrica Craftsman® dejara de funcionar apropiadamente dado a defectos en material o mano de obra, durante (2) dos años, contados desde la fecha original de compra, Sears la repondrá gratuitamente.

Si esta Cortadora de Bordes es usada con fines comerciales, la garantía aplicará por 90 días a partir de la fecha original de compra.

Si esta Cortadora de Bordes es usada con fines alquiler, la garantía aplicará por 30 días a partir de la fecha original de compra.

Esta garantía no incluye la cuchilla.

SE OFRECERA SERVICIO DE GARANTIA DEVOLVIENDO LA CORTADORA DE BORDES ELECTRICA CRAFTSMAN A LA TIENDA DE SEARS O CENTRO DE SERVICIO SEARS MAS CERCANA EN LOS ESTADOS UNIDOS.

Esta garantía le confiere derechos jurídicos específicos, además usted puede tener otros derechos que varían entre estados.

Sears, Roebuck and Co., D/817 WA, Hoffman Estates, IL 60179

REGLAS SEGURIDAD

⚠ ADVERTENCIA: Siempre que use cortadoras de bordes eléctricas, deben observarse precauciones básicas de seguridad para reducir el riesgo de incendio, choque eléctrico y accidentes a personas. Lea todas las instrucciones e información de seguridad que se encuentran a lo largo de este manual.

⚠ PELIGRO: ¡ESTE APARATO DE FUERZA PUEDE SER PELIGROSO! Este aparato puede causar graves heridas incluyendo la amputación de miembros del cuerpo o ceguera al usuario y a otras personas. Las advertencias e instrucciones de seguridad en este manual deben seguirse para proveer seguridad razonable y eficiencia al usar este aparato. El usuario tiene la responsabilidad de seguir todas las advertencias e instrucciones tanto en este manual como en el aparato. ¡Lea el manual de instrucciones en su totalidad antes de armar y de usar este aparato! Limite el uso de este aparato a aquellas personas que hayan leído, comprendido y que vayan a seguir las advertencias e instrucciones tanto en este manual

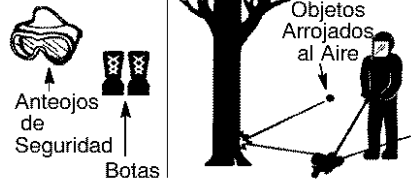
como en el aparato. Nunca permita a los niños que usen el aparato.



INFORMACIÓN DE SEGURIDAD EN EL APARATO

SEGURIDAD DEL USUARIO

- Vístase de forma apropiada. Siempre use anteojos de seguridad o protección de ojos similar al usar y efectuar servicio de mantenimiento al aparato. (Anteojos de seguridad vienen disponibles). Use siempre máscara de protección o de filtración cuando trabaje con el aparato en ambientes polvorientos. Use siempre pantalones largos y gruesos, mangas largas, botas y guantes. No use el aparato descalzo ni con sandalias.



- Mantenga el cabello por encima de los hombros, atándolo para tal efecto

si es necesario. Asegure o remueva la ropa suelta y joyas o ropa con tiras, borlas, corbatas, etc. Estas pueden enredarse en las piezas en movimiento.

- El estar completamente cubierto, le protegerá en contra de pedazos de plantas tóxicas y desechos que puedan ser arrojados al aire por la línea girante.
- Manténgase alerta. No use este aparato cuando esté cansado, enfermo o bajo la influencia del alcohol, de drogas u otros medicamentos. Vigile bien lo que está haciendo; use el sentido común.
- Evite los arranques no intencionales del aparato. Nunca cargue el aparato con el dedo en el interruptor. Asegúrese de que el interruptor no se encuentre en la posición "on" al conectar el cable de extensión.

⚠ PELIGRO: RIESGO DE CORTADURA - MANTENGA LAS MANOS Y LOS PIES ALEJADOS DE LAS CUCHILLA Y DEL AREA DE CORTE - No intente recoger el material ya cortado mientras las cuchillas se encuentren en movimiento. Asegúrese que la cuchilla se haya detenido y el aparato esté desconectado antes de remover el material que se haya atascado en la cuchilla de corte. No sostenga ni agarre el aparato por la cuchilla de corte.



PRECAUCION: La cuchilla gira momentáneamente después de haber soltado el interruptor.

SEGURIDAD ELECTRICA

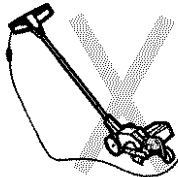
⚠ ADVERTENCIA: Evite los ambientes peligrosos. Para reducir el riesgo de choque eléctrico, no use los aparatos en lugares húmedos o mojados ni cerca de piscinas, de los hidromasajes, etc. No exponga el aparato a la nieve, a la lluvia ni al agua para evitar la posibilidad de choque eléctrico. No toque el enchufe del cable de extensión ni el del aparato con las manos mojadas.

- Use exclusivamente suministro de voltaje como se muestra en la placa del aparato.

- Evite situaciones peligrosas. No use el aparato en presencia de gases o líquidos inflamables para evitar incendios, explosiones y/o daños al aparato.
- Para reducir el riesgo de choque eléctrico, este equipo viene con enchufe polarizado (una aleta es más ancha que la otra) y requerirá el uso de un cable de extensión polarizado. Este enchufe entrará solamente en una posición en el enchufe polarizado del cable de extensión. Si este enchufe no entrara completamente dentro del enchufe del cable de extensión, invierta el enchufe. Si continúa sin entrar, obtenga el cable de extensión polarizado correcto. El enchufe polarizado del cable de extensión requerirá el uso de un tomacorriente de pared polarizado. El enchufe polarizado del cable de extensión entrará en el tomacorriente de una sola forma. Si el enchufe no entra completamente en el tomacorriente de pared, invierta el enchufe. Si continúa sin entrar, contacte un electricista autorizado para que instale el tomacorriente apropiado. No cambie el equipo del enchufe, el receptáculo del cable de extensión o el enchufe del cable de extensión de ninguna manera.
- Para reducir el riesgo de choque eléctrico, use cables de extensión que vengan específicamente marcados como apropiados para aparatos de uso en exteriores y que tengan una clasificación eléctrica no menor que la del aparato. El cable deberá venir marcado con el sufijo "W-A" ("W" en Canadá). Asegúrese de que el cable de extensión esté en buenas condiciones. Inspeccione el cable de extensión antes de usarlo y si está dañado, cámbielo. No utilice un cable de extensión dañada. El aislante del cable de la extensión debe ser intacto sin las grietas o la deterioración. Los conectores del enchufe deben ser indemnes. Los cables demasiado finos causarán una baja en el voltaje de línea, lo que provocará falta de potencia y exceso de temperatura. En caso de duda entre dos cables, use el más grueso. Cuanto más pequeño es el número de clasificación, más grueso es el cable (vea SELECCIÓN DEL CABLE DE EXTENSIÓN en la sección MONTAJE).



- No utilice más de uno los cables de extensión.
- No intente reparar el aparato. Inspeccione el aislamiento y los conectores en el aparato y en el cable del aparato antes de cada uso. Si encuentra cualquier daño, no use el aparato hasta después de haber sido reparado por de Centro de Servicio Sears.
- Inspeccione el cable de extensión antes de cada uso y cámbielo si este se encuentra dañado.
- No use el cable indebidamente. Nunca lleve el aparato por el cable de extensión ni la desconecte del enchufe tirando del cable.
- Para reducir la posibilidad de que el cable de extensión se desconecte del aparato durante el uso, ate el cable del aparato al cable de extensión como se ilustrado en SELECCIÓN DEL CABLE DE EXTENSIÓN en la sección MONTAJE. Conecte el cable de extensión al enchufe embutido en el cable del aparato.
- No use el aparato si el interruptor no lo enciende o apaga correctamente. Todas las reparaciones al interruptor deberán ser provistas por de Centro de Servicio Sears.
- Mantenga el cable de extensión alejado del usuario, de el aparato, y de obstáculos en todo momento. No exponga los cables al calor, al aceite, al agua o a bordes con filo.



- Evite todo contacto del cuerpo con los conductores a tierra, tales como tuberías de metal o cercas de alambre, para evitar lo posibilidad de choque eléctrico.
- El circuito o el tomacorriente que se use con este aparato deberá estar provisto con protección de Interruptor de Fallas en el Circuito a Tierra (Ground Fault Circuit Interruptor - GFCI). Vienen disponibles, receptáculos con la protección GFCI incorporada y éstos pueden ser usados para esta medida de seguridad.

SEGURIDAD DEL APARATO

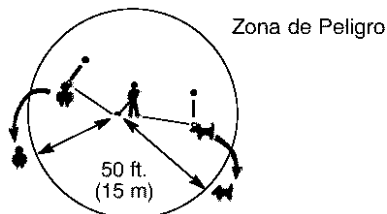
- No intente reparar su aparato. Inspeccione el aparato y el cable de extensión completamente antes de

cada uso. Permita que sea de Centro de Servicio Sears quien repare o cambie las piezas dañadas. Asegúrese de que todos los fijadores, mangos y protectores estén en su lugar y bien fijos. Un Centro de Servicio Sears deberá reparar o cambiar el protector, si está dañado, o cualquier otra pieza que se encuentre dañada.

- Cambie las cuchillas que se encuentren dobladas, deformes, astilladas, rotas o dañadas de cualquier otro modo.
- Antes de usar su aparato, permita que un Centro de Servicio Sears repare o reemplace todas las piezas que se encuentren rotas, quebradas, astilladas o dañadas de cualquier otro forma.
- Use únicamente cuchillas de repuesto y los accesorios recomendados de la marca Craftsman para este aparato. Nunca use alambre, cuerda, hilo, etc. El uso de cualquier otro accesorio podría incrementar el riesgo de accidente o podría causar daños al aparato.
- Mantenga el protector de la cuchilla en su lugar y en buenas condiciones de trabajo.

SEGURIDAD AL CORTAR

- Inspeccione el área a ser cortada antes de cada uso. Retire los objetos (piedras, vidrio roto, alambre, hilo, etc.) que pueden ser arrojados al aire por la cuchilla o se pueden enredar en el aparato.
- Mantenga alejados a los niños. Mantenga a otros incluyendo niños, animales, espectadores y ayudantes alejados 30 metros (100 pies) de la Zona de Peligro. Detenga el aparato de inmediato si alguien se le acerca.



- Mantenga siempre el aparato en frente a su cuerpo. Mantenga pies y manos alejados del área de corte.
- Sostenga el aparato firmemente con las dos manos.
- No se incline excesivamente ni se pare en superficies inestables. Mantenga el equilibrio y el balance en todo momento.

- Mantenga las ruedas en contacto con el suelo.
- No levante el aparato más arriba del suelo. La cuchilla podría acercarse peligrosamente a su cuerpo.
- Siempre empuje el aparato lentamente sobre el suelo. Manténgase alerta en caso de aceras desiguales, hoyos en el terreno, raíces grandes, etc.
- No sobrecargue su aparato; será más efectivo y con menor riesgo de accidentes si maneja el aparato al ritmo para el cual fue diseñado. Use el aparato correcto. Use únicamente para los trabajos que se especifican en este manual.

SEGURIDAD EN EL MANTENIMIENTO

⚠️ ADVERTENCIA: Desconecte el aparato del tomacorriente antes de efectuar mantenimiento o al cambiar las cuchillas.

- Mantenga su aparato cuidadosamente. Mantenga su aparato de acuerdo con los procedimientos recomendados. Siga las instrucciones para cambiar las cuchillas bajo la sección de SERVICIO Y AJUSTES. Mantenga la cuchilla y su protector limpios todo el tiempo para evitar el riesgo de accidentes.
- Nunca ponga en marcha su aparato sin tener unido el protector de la cuchilla. La cuchilla podría salir despedida o podría arrojar objetos al aire causando accidentes graves.
- Use únicamente piezas de reemplazo recomendadas.
- Permita que todo mantenimiento y servicio no especificado en este manual sea desempeñado por un Centro de Servicio Sears.
- Nunca sumerja o riegue con agua o con ningún otro líquido. Limpie el aparato y sus etiquetas con una esponja húmeda. Mantenga los mangos secos, limpios y libres de aceite y grasa.

TRANSPORTACION Y ALMACENAJE


- Transporte el aparato con el motor detenido y la cuchilla alejada de su cuerpo.
- No agarre o sostenga la parte expuesta de la cuchilla.
- Desenchufe el aparato antes de al-

macenarlo; asegure el aparato antes de transportarlo en un vehículo.

- Guarde el aparato de modo que la cuchilla no pueda causar heridas accidentales. El aparato puede ser colgado por el mango.
- Guarde el aparato al abrigo de la intemperie. Guarde el aparato desconectado en un lugar alto, seco y fuera del alcance de los niños.

CONSTRUCCION CON DOBLE AISLAMIENTO

Este aparato tiene aislamiento doble para incrementar la protección contra el choque eléctrico. El aislamiento doble consiste de dos "capas" separadas de aislamiento eléctrico en vez de cable a tierra. Las herramientas y los electrodomésticos con aislamiento doble no necesitan cable a tierra. No se le ha provisto ningún medio de conexión a tierra a este aparato, tampoco se le debe agregar ningún medio de conexión a tierra. Como resultado, el cable de extensión usado con su aparato puede ser enchufado en cualquier tomacorriente eléctrico normal de 120 voltios. Deben observarse precauciones de seguridad al trabajar con toda herramienta eléctrica. El sistema de aislamiento doble solamente provee una protección adicional contra las heridas provocadas por una falla en el aislamiento eléctrico interno.

⚠️ ADVERTENCIA: Todo diagnóstico y reparación de índole eléctrica a este aparato, incluyendo a la caja, el interruptor, el motor, etc., deberán ser efectuados por personal de servicio capacitado. Los repuestos para un aparato con aislamiento doble deben ser recomendados por el fabricante. Los aparatos con aislamiento doble vienen marcados con las palabras "double insulation" (aislamiento doble) o "double insulated" (doblemente aislado). También puede aparecer el símbolo (cuadrado dentro de un cuadrado)  en el aparato. El aparato debe ser reparado por un personal de servicio cualificado; de lo contrario el sistema de aislamiento doble puede quedar inutilizado, acarreando graves heridas.

GUARDE ESTAS INSTRUCCIONES

MONTAJE

CONTENIDO DE LA CAJA

Verifique el contenido de la caja por la lista siguiente.

Modelo 358.796520

- Cortadora de Bordes
- Tornillos
- Tuercas Aseguradoras

Examine las piezas por si hay alguna que viene dañada. No use piezas dañadas.

AVISO: Si necesita ayuda o encuentra piezas dañadas o perdidas, llame al número 1-800-235-5878.

MONTAJE

⚠️ ADVERTENCIA: Si el aparato fue entregado ya armado, repita todos los pasos en esta sección para asegurarse de que el montaje haya sido hecho correctamente y que todos los sujetadores se encuentren fijos.

Este manual de instrucciones fue elaborado para ayudarle a armar el aparato y a usarlo en conformidad con las precauciones de seguridad. Es importante que lea el manual en su totalidad para familiarizarse con el aparato antes de comenzar a armarlo.

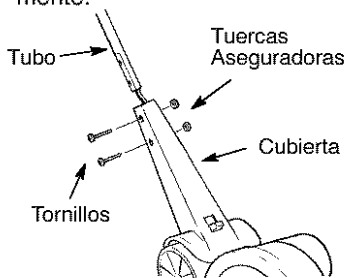
Lea su manual de instrucciones.

Herramienta que necesitará:

- Destornillador Phillips

MONTAJE DEL TUBO

1. Introduzca el tubo dentro de la cubierta del unidad como se ilustra a continuación. Alinee los huecos para los tornillos.
2. Introduzca las tuercas de cierre dentro de los bolsillos en la cubierta del unidad.
3. Introduzca los tornillos a través de los huecos ya lineados.
4. Enrosque los tornillos dentro de las tuercas de cierre y apriételas firmemente.



SELECCION DEL CABLE DE EXTENSION

Use únicamente suministro de voltaje de 120 A.C. como se muestra en la placa del aparato.

El cable de extensión utilizado para alcanzar el recurso de energía debe:

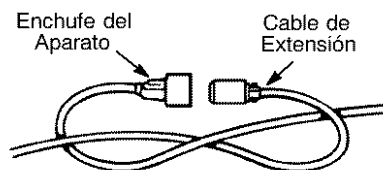
- Estar marcado específicamente para uso exterior. El cable debe estar marcado con el sufijo "W-A".
- Tener la fuerza suficiente para transportar la energía desde el tomacorriente todo lo largo del cable hasta llegar al aparato. De otra manera, pérdida de energía y recalentamiento podrían ocurrir, causando daño al aparato. Vea la tabla para las recomendaciones mínimas de calibre del cable. (Cables de extensión apropiados están disponibles). No utilice cables múltiples.
- Estar en buena condición. El aislamiento del cable debe estar intacto sin grietas y sin deterioro. Los enchufes no deben tener ninguna señal de daño.

RECOMENDACIONES MINIMAS DE CALIBRE DEL CABLE			
Voltios	25 pies (7.67 M)	50 pies (15.24 M)	100 pies (30.48 M)
120	16 A.W.G.*	16 A.W.G.*	14 A.W.G.*

*Calibre de Cable Americano

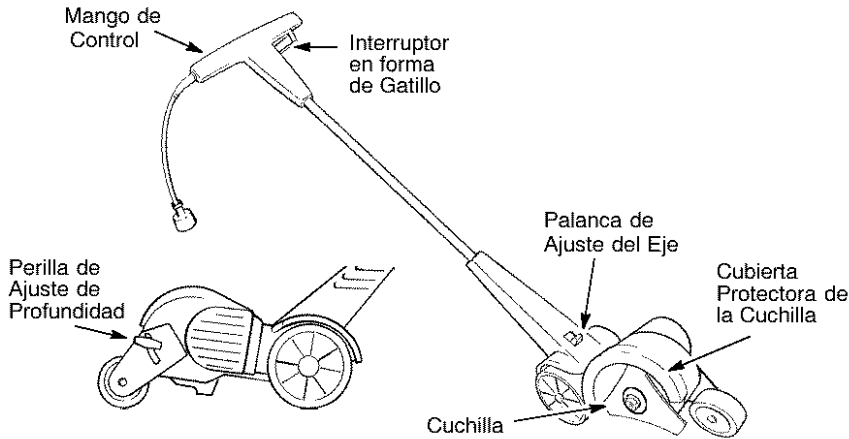
Amarre el cable de extensión al aparato:

- Ate el enchufe del aparato al cable de extensión como se ilustra a continuación.
- Introduzca el enchufe del aparato dentro del receptor del cable de extensión.



CONOZCA SU APARATO

LEA ESTE MANUAL DE INSTRUCCIONES O Y LAS REGLAS DE SEGURIDAD ANTES DE COMENZAR A USAR SU APARATO. Compare las ilustraciones a continuación con las piezas de su aparato para familiarizarse con la localización de los varios controles y ajustes. Guarde este manual para uso futuro.



INTERRUPTOR EN FORMA DE GATILLO

El INTERRUPTOR EN FORMA DE GATILLO es usado para activar el motor.

PALANCA DE AJUSTE DEL EJE

La PALANCA DE AJUSTE DEL EJE se usa para poner en posición el ángulo de corte.

CUCHILLA

La CUCHILLA ha sido diseñada para cortar césped.

PROTECTOR DE LA CUCHILLA

El PROTECTOR DE LA CUCHILLA protege al usuario de la cuchilla girante.

PERILLA DE AJUSTE DE PROFUNDIDAD

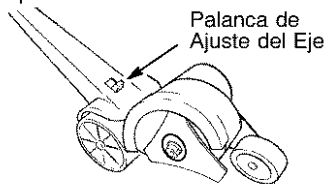
La PERILLA DE AJUSTE DE PROFUNDIDAD le permite a usted ajustar la cuchilla la profundidad deseada.

POSICION DE USO

Su aparato tiene dos posiciones de uso, una para cortar los bordes y la otra para biselar.

Para fijar la posición de uso:

1. Mueva la palanca de ajuste del eje hacia el mango.
2. Gire el motor a la posición deseada.
3. Suelte la palanca de ajuste del eje, asegurándose que el motor quede en posición.



METODOS PARA CORTAR BORDES

⚠ ADVERTENCIA: El usuario u otras personas no deben tratar de recoger el material ya cortado con el motor en marcha y la cuchilla girando, para evitar accidentes.

⚠ ADVERTENCIA: Detenga el motor y la cuchilla y desconecte el aparato antes de remover el material envuelto alrededor del eje de la cuchilla, para evitar serios accidentes.

- Permita que el motor alcance máxima velocidad antes de empezar a cortar. La cuchilla tiene máximo poder de corte a la más alta velocidad y será menos propensa a calarse.
- Si la cuchilla no marcha cuando el interruptor se activa, asegúrese que no esté atascada con desechos.



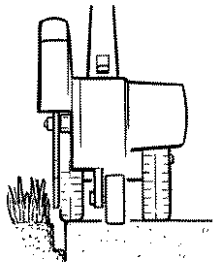
La cuchilla girará momentáneamente después de soltar el interruptor. Detenga la cuchilla girante haciendo contacto con el material ya cortado.

- Siempre suelte el interruptor y deje que el motor se detenga cuando no esté cortando.
- Para detener el motor, suelte el interruptor; permita que la cuchilla se detenga antes de removerla de la zona de corte.

Al familiarizarse con su cortadora, usted podrá determinar su propio ritmo de trabajo. Condiciones como lo son la profundidad de corte, ángulo de corte y material a cortar regularán la velocidad y el tiempo requerido para su trabajo.

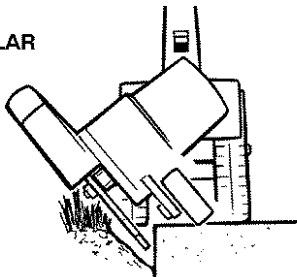
CORTAR BORDES—produce un preciso, corte cercano alrededor de aceras, caminos de entrada, patios, etc.

CORTAR BORDES



BISELAR — provee un corte más ancho o hace zanjas alrededor de aceras, caminos de entrada, patios, etc. Al biselar, usted removerá más material, por lo tanto incrementará la carga del motor. Sea cuidadoso y corte lentamente para evitar que el motor se sobrecargue o se cale, lo que puede dañar el motor.

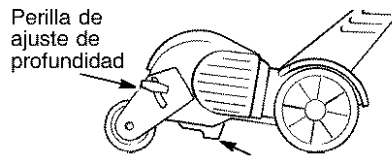
BISELAR



AJUSTE DE PROFUNDIDAD

La rueda delantera puede ser ajustada para permitir un corte más o menos profundo. Mueva la rueda hacia arriba para un corte más profundo, o mueva la rueda hacia abajo para un corte con menor profundidad. Cuando la rueda es ajustada al máximo hacia abajo (posición de corte), la cuchilla se levanta por completo del suelo.

- Afloje la perilla en el montaje de la rueda delantera.
- Ajuste la rueda para fijar la profundidad de la cuchilla. Fije la rueda más alta para mayor profundidad de corte y fije la rueda más baja para un corte menos profundo o para hacer zanjas.
- Apriete la perilla firmemente.



Guía para hacer bordes

CONSEJOS DE USO

- Permita que la cuchilla alcance la velocidad máxima antes de empezar a cortar. Sea cuidadoso y corte lentamente para evitar que el aparato se sobrecargue o se cale, lo que puede causar que el motor se dañe.
- Mantenga un ritmo de corte de sendero recto, dirigiendo la guía de para hacer bordes al costado de la acera, patio, camino de entrada, etc.
- Trabaje siempre alejado de personas, de objetos sólidos como son paredes, piedras grandes, árboles, automóviles, etc.
- Sea cuidadoso cuando corte cerca de árboles o plantas valiosas. La cuchilla de metal a alta velocidad podría cortar las raíces o causar daño a las plantas.
- Mantenga siempre el área de la cuchilla limpia. Detenga el aparato, asegúrese de que la cuchilla esté completamente detenida, y desconecte el aparato del tomacorriente, antes de limpiar.
- Si la cuchilla se cala, de inmediato levante la cuchilla del área de corte haciendo bajar el mango. Si la cuchilla continúa calándose al levantarla, detenga el aparato, desconéctelo del tomacorriente e inspeccione el área de la cuchilla en caso de bloqueo o algún daño. Limpie el área de la cuchilla de desechos que puedan haberse acumulado.

MAINTENIMIENTO

RESPONSIBILIDAD DEL CLIENTE

TAREA DE CUIDADO Y MANTENIMIENTO	QUANDO HACER
Verificar que no haya fijadores flojos ni piezas sueltas	Antes de cada uso
Verificar que no haya piezas dañadas o gastadas	Antes de cada uso
Inspeccione y limpiar el aparato y sus placas	Después de cada uso

RECOMENDACIONES GENERALES

La garantía en este aparato no aplica al los artículos sometidos al abuso o a la negligencia del usuario. Para recibir el valor completo de la garantía, el usuario deberá mantener el aparato según las instrucciones en este manual. Será necesario hacer varios ajustes periódicamente para mantener el aparato debidamente. El mantenimiento incorrecto puede causar daños al aparato y posibles accidentes al usuario o a espectadores.

VERIFIQUE QUE NO HAYA FIJADORES FLOJOS NI PIEZAS SUELTAS

- Cuchilla
- Protector de la Cuchilla
- Tornillos de la Caja
- Tornillos del Mango
- Ruedas

VERIFIQUE QUE NO HAYA PIEZAS DAÑADAS O GASTADAS

Entre en contacto con el Centro de Servicio Sears para el reemplazo de piezas dañadas o desgastadas.

- Interruptor en forma de Gatillo – Asegúrese que el interruptor en forma de gatillo funciona apropiadamente soltando el interruptor. Asegúrese que el motor se detenga y la cuchilla pare de girar; entonces vuelva a poner en marcha el motor y continúe.
- Protector de la Cuchilla – No use su aparato si el protector de la cuchilla está dañado.

LIMPIE EL APARATO Y SUS PLACAS

- Después de que cada uso, inspeccione la aparato completa para saber si hay piezas flojas o dañadas. Limpie el aparato y las placas usando un trapo húmedo con detergente suave.
- Séquelo con un trapo limpio y seco.

SERVICIO Y AJUSTES

MANTENIMIENTO DE LA CUCHILLA

⚠ ADVERTENCIA: La cuchilla girará momentáneamente después que el motor se detiene. Asegúrese que la cuchilla haya parado de girar y desconecte el aparato del tomacorriente antes de hacer cualquier tipo de trabajo en la cuchilla.

PRECAUCION: Use guantes protectores cuando maneje o efectúe mantenimiento a la cuchilla para así ayudar a evitar accidentes.

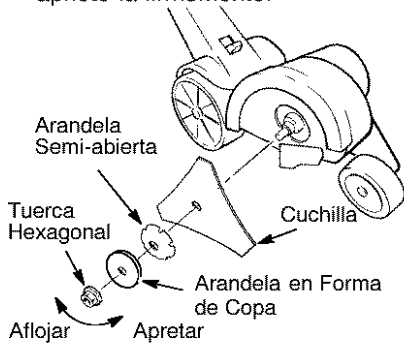
- Use la cuchilla de reemplazo apropiada. Contacte su tienda para la cuchilla de repuesto #71-85718.
- La cuchilla es reversible. Cuando un lado de la cuchilla se gaste al cortar bordes, vuélvala del revés.
- Verifique periódicamente el estado de la cuchilla. Ponga la cuchilla en una superficie llana y verifique que la cuchilla esté completamente plana. Deseche la cuchilla si ésta no se encuentra completamente plana.

⚠ ADVERTENCIA: Siempre reemplace la cuchilla que esté doblada, deforme, astillada, rota o dañada de cualquier otro modo. Nunca trate de enderezar y reusar la cuchilla si se encuentra dañada. Use únicamente la cuchilla de reemplazo especificada en este manual.

Para volver al revés la cuchilla o para cambiarla:

1. Desconecte el aparato del tomacorriente.
2. Ajuste una llave en el eje que se encuentra detrás de la cuchilla.
3. Usando otra llave, remueva la tuerca hexagonal, la arandela en forma de copa, y la arandela semi-abierta.
4. Remueva la cuchilla.
5. Limpie todas las piezas y verifique daños. Cambie todas las piezas dañadas.
6. Vuelva la cuchilla del revés o cámbiela; luego, vuélvala a montar en el eje.

7. Instale la arandela asegurándose la parte de afuera, con bordes en muescas, haga contacto con la cuchilla.
8. Instale la arandela en forma de copa, asegurándose de que el borde de la misma quede mirado hacia la arandela tipo muelle.
9. Instale la tuerca hexagonal y apriete la firmemente.



ACCESORIOS

Anteojos de Seguridad . . .	71-85707
Cable de Extensión (Calibre 16)	71-85708
Cable de Extensión (Calibre 14)	71-85709

PIEZAS DE SERVICIO PARA EL CLIENTE

Cuchilla	71-85718
Arandela Semi-abierta (cuchilla)	530403499
Tuerca Hexagonal (cuchilla)	530016293
Tuerca Aseguradora (tubo)	530403094
Rueda Trasera	530095663
Rueda Delantera	530095125
Protector de la Cuchilla	530402859
Guía para Cortar Bordes	530402865
Eje Trasero	530402876
Eje Delantero	530402875
Arandela in Forma de Copa	530403500
Arandela de cierre (eje) . .	530016245
Espaciador (eje)	530403109
Tornillo (guía de bordes) .	530016227
Tornillo (tubo)	530402888
Arandela (mango en forma de T)	530402887

ALMACENAJE

⚠ ADVERTENCIA: Realice los siguientes pasos después de cada uso:

- Asegure el aparato antes de transportarlo o almacenarlo.
- Guarde el aparato con todos sus protectores en su lugar. Coloque el aparato en una posición tal que no pueda causar ningún accidente.
- Guarde el aparato completamente fuera del alcance de los niños.

ESTACIONAL ALMACENAJE

Prepare el aparato para el almacenaje al final de la temporada o si va a estar sin usar por más de 30 días.

Si va a guardar el aparato durante un periodo largo:

- Limpie el aparato por completo antes del almacenaje.
- Inspeccione el área de la cuchilla y limpie la suciedad, hierba, hojas, o desechos que se hayan acumulado. Inspeccione la cuchilla y su protector; cambie la cuchilla que se encuentre

doblada, deforme, astillada, rota o dañada de cualquier otro modo.

- Cambie el protector de la cuchilla si está dañado o gastado.
- Levemente, aplique aceite en las superficies exteriores de metal.

PRECAUCIÓN: Use guantes protectores al manejar la cuchilla. La cuchilla tiene filo y le puede causar cortaduras aún sin estar en movimiento.

- Aplique una capa de aceite a la superficie entera de la cuchilla. Envuélvala con papel grueso o en tela.
- Asegúrese que el mango y los protectores se encuentren en su lugar y seguramente fijos. Cambie las piezas dañadas.
- Examine todo el aparato y verifique que no haya ningún tornillo, tuerca, o perno suelto. Cambie las piezas que se encuentren dañadas, rotas o gastadas.
- No cubra con plástico. El plástico no respira y puede causar condensación y eventualmente corrosión o enmohecimiento.

TABLA DIAGNOSTICA

⚠ ADVERTENCIA: Siempre desconecte la unidad antes de hacer cualquiera de las reparaciones recomendadas que estan listadas siguiente-mente que no requieran que la aparato este en operaci3n.

PROBLEMA	CAUSA	SOLUCION
La cuchilla se detiene bajo carga o no gira cuando el interruptor se enciende.	<ol style="list-style-type: none"> 1. Forzar la cuchilla en el material a cortar. 2. El protector de la cuchilla se encuentra atascado con desechos. 3. La guía de corte de bordes está doblada hacia la cuchilla. 4. Aparato desconectado. 5. El fusible está quemado/el interruptor automático se encuentra apagado. 6. La arandela semi-abierta está gastada. 7. Ninguna de la anteriores. 	<ol style="list-style-type: none"> 1. Corte a un ritmo más lento. 2. Limpie el área del protector de la cuchilla. 3. Cambie la guía para cortar bordes. 4. Enchufe el aparato en un tomacorriente de 120 voltios. 5. Cambie el fusible/vuelva a fijar el interruptor automático. 6. Cambie la arandela semi-abierta. 7. Entre en contacto con el Servicio Sears (vea parte trasera del manual).
La cuchilla gira pero no corta	<ol style="list-style-type: none"> 1. Profundidad de la rueda incorrecta. 2. Cuchilla incorrecta o gastada. 3. La arandela semi-abierta está dañada. 	<ol style="list-style-type: none"> 1. Ajuste la rueda a la profundidad correcta. 2. Cambie la cuchilla. 3. Cambie la arandela semi-abierta.
La cortadora de bordes arrastra tierra o corta muy profundo.	<ol style="list-style-type: none"> 1. Profundidad de la rueda está incorrecta. 2. La montur(s) de la rueda están rotas. 	<ol style="list-style-type: none"> 1. Ajuste la rueda a la profundidad correcta. 2. Entre en contacto con el Servicio Sears (vea parte trasera del manual).