

*Since 1968*

**COMMAX**  
SmartHome & Security

# User Manual

DOOR PHONE DP-ML



[www.commax.com](http://www.commax.com)

COMMAX Co.,Ltd.



- Thank you for purchasing COMMAX products.
- Please carefully read this User's Guide (in particular, precautions for safety) before using a product and follow instructions to use a product exactly.
- The company is not responsible for any safety accidents caused by abnormal operation of the product.



## Contents

1. Introduction .....	2
2. Important Safeguards .....	3
3. Overview .....	4
4. Operation .....	5
5. Wiring.....	6



## 1. Introduction

Your unit is designed so it can be flush mounted on the or used. When flush mounted on the wall, the stand permits you to the unit for an gular of unit view. The model number is located on the bottom and record the serial number in the space provided below(available). Refer to these numbers whenever you call upon your COMMAX dealer regarding this product.

Model No.

Serial No.

**To prevent fire or shock hazard, do not expose the unit to rain or moisture.**



This symbol is intended to alert the use to the presence of uninsulated **"dangerous Voltage"** within the product' s enclose that may be of sufficient magnitude to constitute a risk of electric shock to persons.



This symbol is intended to alert the use to the presence of important operating and maintenance(servicing) instructions in the literature accompanying the appliance



**caution**

Risk of electric shock  
do not open



**CAUTION :** To reduce the risk of electric shock, do not remove cover(or back) no user-serviceable part inside refer servicing to qualified service personnel

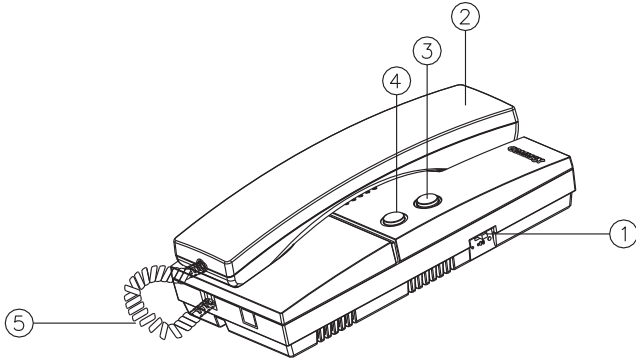


## 2. Important Safeguards

- ▲ **Damage Requiring Service:** This equipment from the power source and source and refer servicing to qualified service personnel under the following conditions:
  - Ⓐ when the power is damaged.
  - Ⓑ if liquid has been spilled or objects have fallen into the unit
  - Ⓒ if the equipment has been exposed to rain or water.
  - Ⓓ if the equipment has been dropped or otherwise damaged.
  - Ⓔ when the equipment exhibits a distinct change in performance- this indicates a need for service.
- ▲ **Water and Moisture:** Do not use this product near water, for example, near a bath tub, wash bowl, kitchen sink, or laundry tub, in a wet basement, or near a swimming pool, and the like.
- ▲ **Accessories:** The product may fall, causing serious injury to a child or adult, and serious damage to the appliance. Any mounting of the manufacture' s instructions, and should use a mounting accessory recommended by the manufacturer.
- ▲ **Object and Liquid Entry:** Never push objects of any kind into this product through openings as they may touch dangerous voltage points or short-out parts that could result in a fire or electric shock. Never spill liquid of any kind on the product.
- ▲ **Lightning:** For added protection for this product before a lightning storm, or when it is left un attached and un used for long periods of time, unplug it from the wall outlt and disconnect the other system. This will prevent damage to the product due to lightning and power-line surges. If you live in an area heavily prone to lightning storms, it is recommended that you invest in power-line, telephone-line, RFcable and actuator/ polarization surge protectors to protect your appliance system from possible damage

### 3. Overview

#### Controls and functions



- ① Volume Switch
- ② Handset
- ③ Guard Call Button
- ④ Door Release Button
- ⑤ Handset Cord



## 4. Operation

1. Can hear a call sound from receiver when press the call button of doorstation by visitors.
2. Talk with visitors when lift up handset.
3. Lift up hand set, press the guard house call button, and can hear a call sound in guard house. Then can talk with guard house when raise up handset. During conversing with guard house, able to hear a sound in door station.
4. After ascertain the visitor, press the door release button and then open the door.

**\* NOTE : No need to connect extra power  
Power's supplying from doorstation**



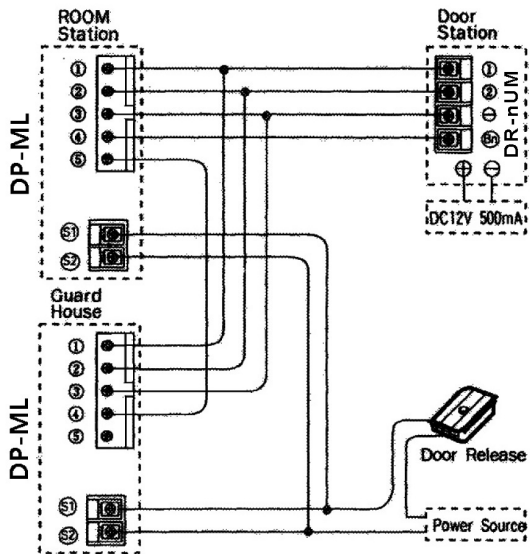
## 5. Wiring

### INSTALLATION

Each DP-ML doorphone has a bracket to facilitate wall-mounted installation.

Secure the bracket to the wall with screws provided.

Fit the slots in the doorphone base over the hooks on the bracket and pull the doorphone down slightly to secure.





**MEMO**





**MEMO**

**COMMAX**

**COMMAX Co.,Ltd.**

513-11, Sangdaewon-dong, Jungwon-gu, Seongnam-si, Gyeonggi-do, Korea  
Int'l Business Dept. : Tel.; +82-31-7393-540~550 Fax.; +82-31-745-2133  
Web site : [www.commax.com](http://www.commax.com)

*Printed In Korea / 2013.07.105*