

Breville®

Turn **on** your creativity®



HotCup™ water dispenser
boils water in seconds

Important Safety Instructions

READ CAREFULLY AND KEEP FOR FUTURE REFERENCE

This appliance can be used by children aged from 8 years and above and persons with reduced physical, sensory or mental capabilities or lack of experience and knowledge if they have been given supervision or instruction concerning use of the appliance in a safe way and understand the hazards involved. Children shall not play with the appliance. Cleaning and user maintenance shall not be made by children unless they are older than 8 and supervised. Keep the appliance and its cord out of the reach of children aged less than 8 years.

Never use a power base other than the one supplied with the appliance.

Never fill the kettle above the MAX marking. If the kettle is overfilled, boiling water may be ejected.

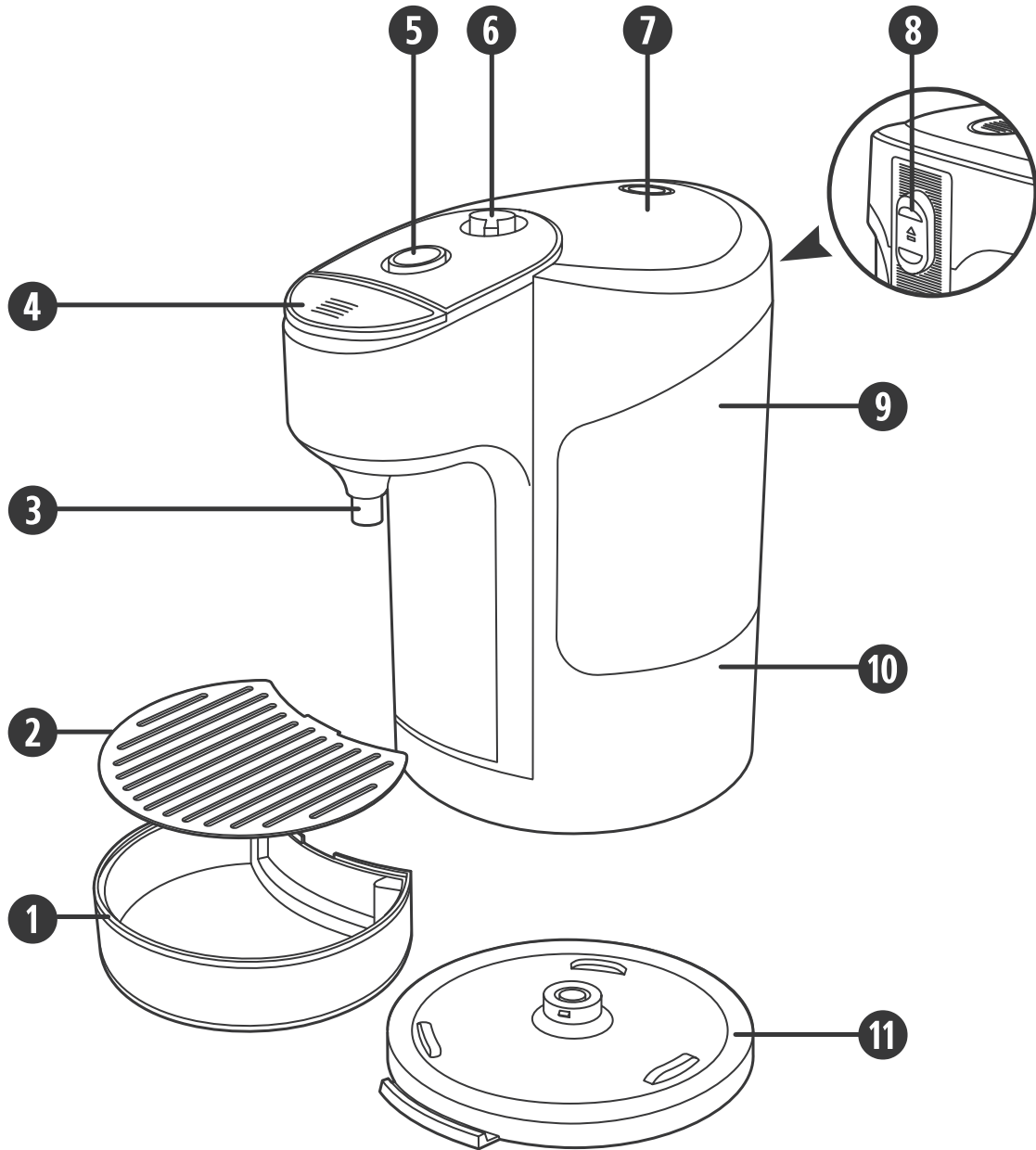
If the supply cord is damaged, it must be replaced by the manufacturer, its service agent or similarly qualified persons in order to avoid a hazard.

Important Safety Instructions

- ⚠ This appliance generates heat during use. Adequate precaution must be taken to prevent the risk of burns, scalds, fires or other damage to persons or property caused by touching the exterior whilst in use or during cooling.
- ⚠ Never use this appliance for anything other than its intended use. This appliance is for household use only. Do not use this appliance outdoors.
- ⚠ Always ensure that hands are dry before handling the plug or switching on the appliance.
- ⚠ Always use the appliance on a stable, secure, dry and level surface.
- ⚠ This appliance must not be placed on or near any potentially hot surfaces (such as a gas or electric hob).
- ⚠ Do not use the appliance if it has been dropped, if there are any visible signs of damage or if it is leaking.
- ⚠ Ensure the appliance is switched off and unplugged from the supply socket after use and before cleaning.
- ⚠ Always allow the appliance to cool before cleaning or storing.
- ⚠ Never immerse any part of the appliance or power cord and plug in water or any other liquid.
- ⚠ Never let the power cord hang over the edge of a worktop, touch hot surfaces or become knotted, trapped or pinched.
- ⚠ Never leave the appliance unattended when in use.
- ⚠ Beware of steam coming from the spout or lid especially during refilling. Never open the lid during the boiling cycle.
- ⚠ Never fill the appliance when it is positioned on the power base.
- ⚠ Never use the appliance without sufficient water in it for it to operate correctly.
- ⚠ Never allow the appliance to boil dry.
- ⚠ Always operate the appliance with a cup or suitable container placed below the dispensing nozzle.

Identifying the Parts

- 1. Removeable drip tray**
No mess, just lift it off the power base and rinse under the tap. Holds over 1 cup of water before it needs emptying.
- 2. Removable stainless steel drip tray cover**
- 3. Dispensing nozzle**
- 4. Stop button**
Press to immediately stop the boil sequence or to stop water that is being dispensed.
- 5. Start button**
Press to start the boil sequence.
- 6. Dispensing control**
This control allows you to select the amount of water dispensed by your HotCup™ water dispenser. Move it towards ▼ for less water or ■ for more water.
- 7. Lid**
- 8. Lid release button**
Press to open the lid and fill the water tank.
- 9. Illuminated water reservoir**
Easy fill water reservoir holds up to 2 litres.
- 10. Heating chamber**
- 11. Power base**



Using Your HotCup™ Water Dispenser

Before using your HotCup™ water dispenser for the first time

- Remove your HotCup™ water dispenser carefully from the box. Remove any packaging and promotional material and position your HotCup™ water dispenser on a dry, level, secure work surface away from the edge.
- Follow the instructions below on using your HotCup™ water dispenser and discard the first five measures of boiling water (i.e. the first full tank of water). This will remove any residues that may remain from the manufacturing process.

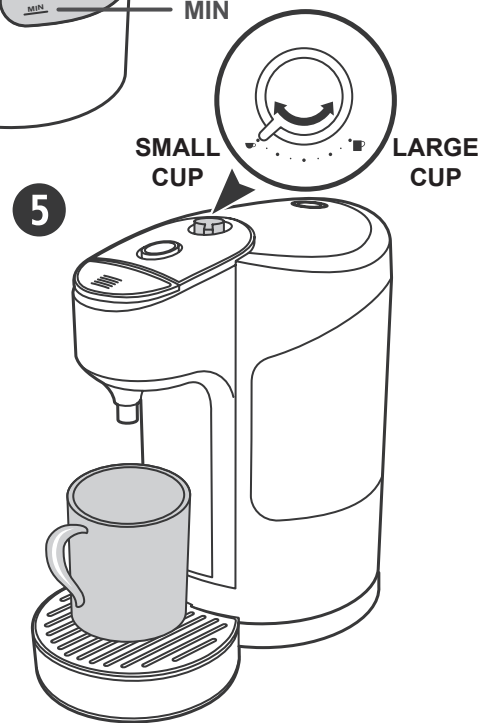
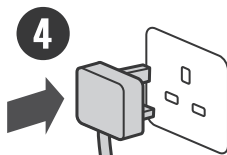
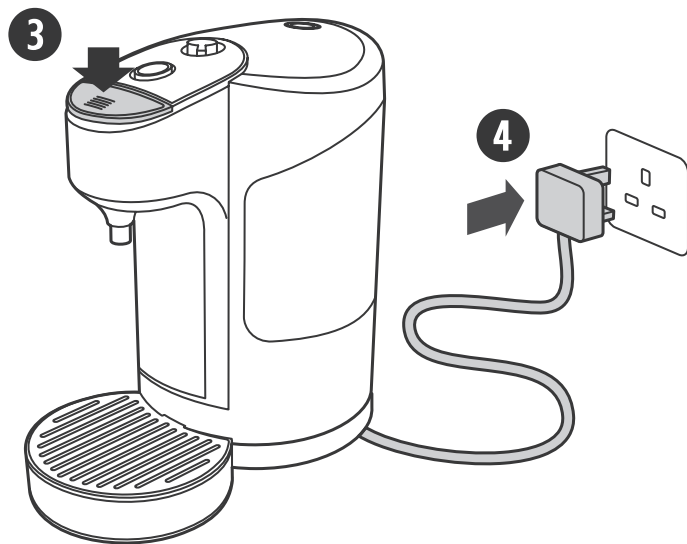
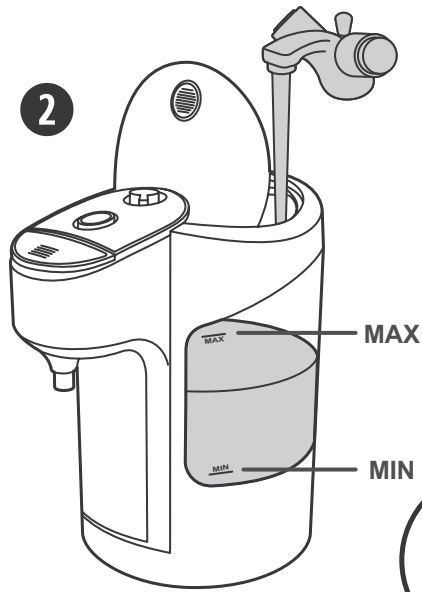
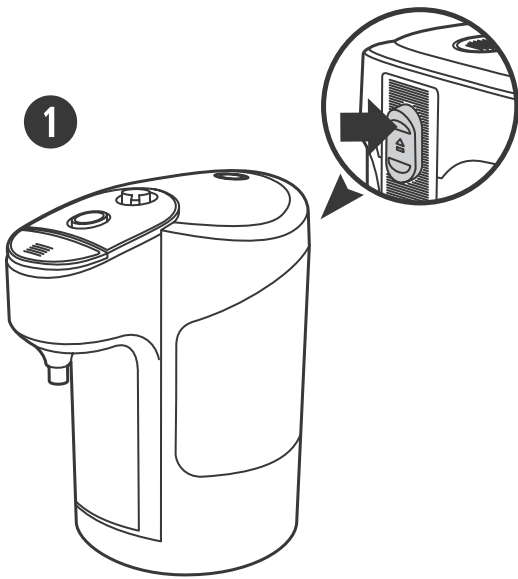
Using your HotCup™ water dispenser

▲ Always position your HotCup™ water dispenser in such a way that the start button cannot be accidentally operated, especially by children. As you use your HotCup™ water dispenser, a certain portion of the water boiled will be transferred back to the water reservoir. This will mean the water reservoir may become hot. Always use care when handling your HotCup™ water dispenser.

1. Press the lid release button.
2. Fill the water reservoir from your cold tap. The water level should be between the MIN and MAX markings.
3. Close the lid and press the stop button. This will make sure that your HotCup™ water dispenser will not immediately start a boil cycle when you place it onto the power base.
4. Connect your HotCup™ water dispenser to a mains supply socket.
5. Place a suitable cup or container with a tea bag, coffee, sugar, etc. below the dispensing nozzle. Never operate your HotCup™ water dispenser without a cup or suitable container placed below the dispensing nozzle. Adjust the dispensing control to the required setting. The control adjusts the quantity of boiling water dispensed by your HotCup™ water dispenser. For smaller cups like teacups, set the control towards the ☞ setting; for larger cups like coffee mugs, set the control towards the ■ setting. If you are not sure which setting to use, it's best to use a lower setting until you gain experience using your HotCup™ water dispenser.
6. Press the start button. The water tank will light up and your HotCup™ water dispenser will start to boil.
7. The selected quantity of boiling water will be dispensed into the cup. Your HotCup™ water dispenser is now ready to use again. If, after just having boiled, the start button doesn't stay in the down position, simply wait a few seconds before trying it again.

Stopping your HotCup™ water dispenser

If you have started the boil procedure and then decide you want to stop your HotCup™ water dispenser for any reason, simply press the stop button. You can also stop water that is being dispensed by pressing the stop button. The boiled water will be safely transferred back into the water reservoir.



Cleaning

▲ Always switch off and unplug your HotCup™ water dispenser and allow it to completely cool before cleaning. Never immerse the base unit, power cord or plug in water or any other liquid. Do not use harsh abrasives, chemicals or oven cleaners.

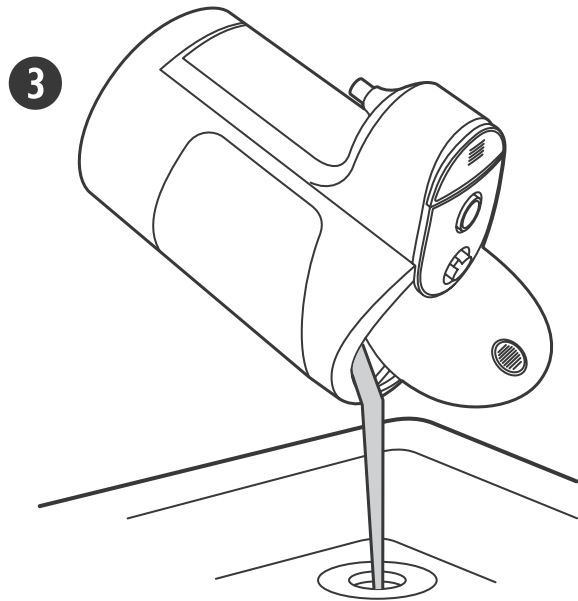
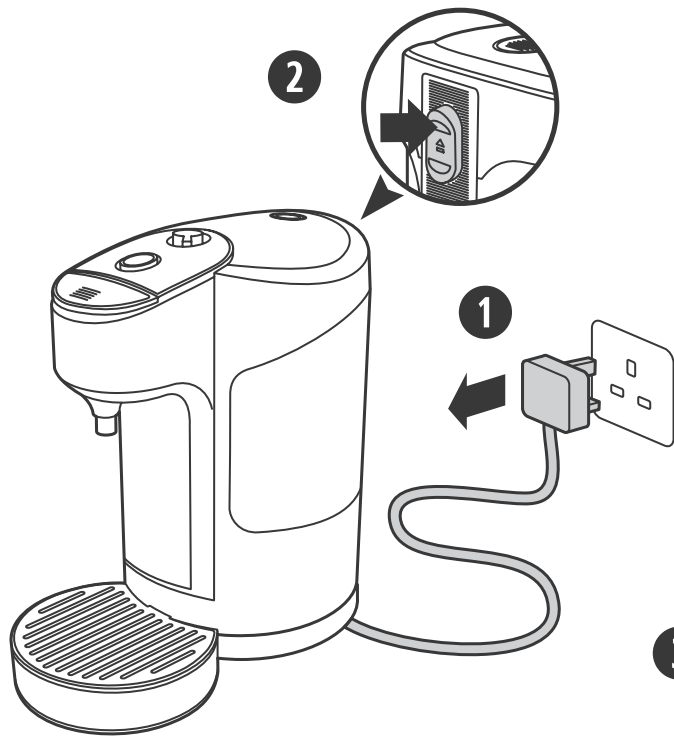
Emptying your HotCup™ water dispenser

1. After your HotCup™ water dispenser has completely cooled down, unplug it from the mains supply socket.
2. Press the lid release button.
3. Hold your HotCup™ water dispenser over a sink and pour the water out.
4. Still holding your HotCup™ water dispenser over the sink, turn it the right way up and allow any water to drain out of the dispensing nozzle. If no water drains out of the nozzle, it may be because the stop button has been accidentally or intentionally pressed. Press the start button to allow water to drain from the nozzle.
5. Repeat steps 3 and 4 until all the water has been emptied from your HotCup™ water dispenser.

If your HotCup™ water dispenser will not be used for an extended period (e.g. if you are on holiday), we recommend that you first empty it. Before using your HotCup™ water dispenser again, carry out several boil cycles discarding the water each time.

Cleaning

Clean the exterior surface of your HotCup™ water dispenser with a damp cloth and then polish it with a soft, dry cloth. Do not use steel wool pads or harsh/abrasive cleaners.



safety and efficiency

To ensure the safe and efficient operation of your HotCup™ water dispenser it is important to descale it regularly. The harder your water the more regularly it will need doing. Your water company should be able to tell you how hard the water is in your area. Untreated scale deposits prevent the element conducting heat efficiently therefore wasting electricity. Scale can also cause your HotCup™ water dispenser to malfunction or even cause premature failure.

Descaling using a proprietary descaling product

1. Fill your HotCup™ water dispenser to the MAX fill level and place an empty cup on the drip tray. Press the start button and wait for the water to be dispensed into the cup.
2. Add a citric acid-based proprietary descaling product to the hot water in the cup and stir.
3. Tip the contents of the cup into your HotCup™ water dispenser and close the lid.
4. Place the empty cup on the drip tray and press the start button.
5. Wait for the water to be dispensed into the cup.
6. Discard the water from the cup.
7. Repeat steps 4, 5 and 6 until the water level is at the MIN mark. Open the lid and empty any remaining water into the sink. Rinse your HotCup™ water dispenser by filling it with clean water and emptying it into the sink (see *Emptying your HotCup™ water dispenser* on page 8).

Fill your HotCup™ water dispenser with fresh water to the MAX fill level and place an empty cup on the drip tray.

8. Press the start button and wait for the water to be dispensed into the cup.
9. Discard the water in the cup. Repeat steps 8 and 9 until the water level is at the MIN mark. Open the lid and empty any remaining water into the sink.

Descaling using vinegar or citric acid

1. You can use ordinary vinegar (white or malt) or citric acid to descale your HotCup™ water dispenser. Inexpensive, ordinary vinegar can be purchased in large bottles from any supermarket. Citric acid can be bought from pharmacies, home brewing/winemaking suppliers or on-line retailers.
2. If you are using vinegar, make up a solution of 1 cup of vinegar to 1 cup of water. If you are using citric acid, mix 30g of the citric acid with 500ml of water.
3. Pour the solution into the tank, close the lid and allow it to stand for 1 hour.
4. Cycle your HotCup™ water dispenser (as described in steps 4-6 above) until the level is at the MIN mark. Open the lid and empty any remaining solution into the sink. Rinse your HotCup™ water dispenser several times by filling it with clean water and emptying it into the sink.
5. Fill your HotCup™ water dispenser with fresh water to the MAX fill level and place an empty cup on the drip tray.
6. Press the start button and wait for the water to be dispensed into the cup.
7. Discard the water in the cup. Repeat steps 6 and 7 until the water level is at the MIN mark. Open the lid and empty any remaining water into the sink.
8. Finally, rinse your HotCup™ water dispenser several times with clean water.

1



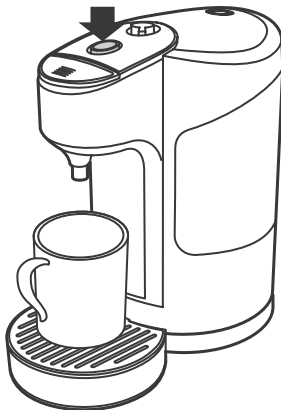
2



3



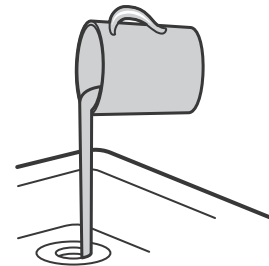
4



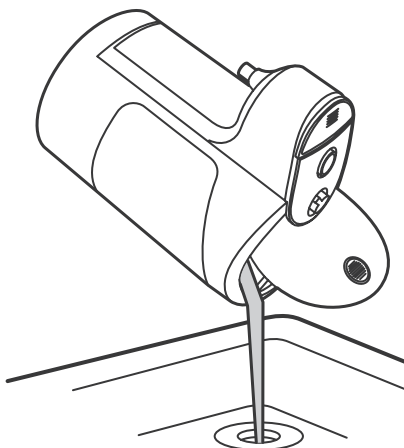
5



6



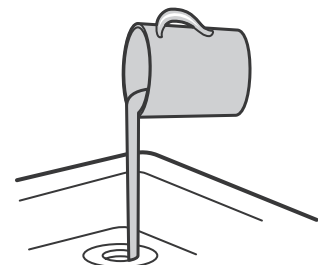
7



8



9



Troubleshooting

Problem	Possible Cause	Solution
The start switch will not stay in the on position.	The appliance has not reset itself after the boiling cycle.	The appliance is still too hot after the last boil cycle. Wait a few seconds for it to cool slightly before trying again.
The water tank does not illuminate and the appliance does not dispense boiling water.	<ul style="list-style-type: none"> The appliance is not plugged in. The appliance is not positioned correctly on its power base. The fuse has blown. The appliance has boiled dry. 	<ul style="list-style-type: none"> Check the appliance is plugged in and switched on at the supply socket. Check that the dispensing nozzle is positioned centrally over the drip tray. Check the fuse in the plug. Allow the appliance to cool down completely then refill it with water.
The appliance does not dispense a full cup of water	<ul style="list-style-type: none"> The appliance has excessive scale. The dispensing control may be set too low. 	<ul style="list-style-type: none"> Descal the appliance Adjust the dispensing control
The appliance produces excess steam but does not dispense boiling water.	<ul style="list-style-type: none"> The water level has dropped below the MIN level. The appliance has excessive scale. 	<ul style="list-style-type: none"> Fill with water between the MIN and MAX markings then restart the boil cycle. Descal the appliance.
The appliance makes a noise and there is a 'clunk' sound after water has been dispensed.	This is the sound of the internal valve operating after the boil cycle finishes.	This is normal operation.
Water drips from the dispensing nozzle after the boil cycle has finished.	There is a residual amount of water left inside the appliance after the boil cycle.	This is normal operation
Steam comes out from behind the start button and behind the dispensing nozzle	Steam is being vented in a controlled manner through designed vents	This is normal operation
The water reservoir is getting hot.	Hot water is being returned to the water reservoir	This is normal operation.
The appliance immediately turns itself on when it is placed on the power base.	The appliance is already switched on.	Press the stop button.

Connection to the mains supply

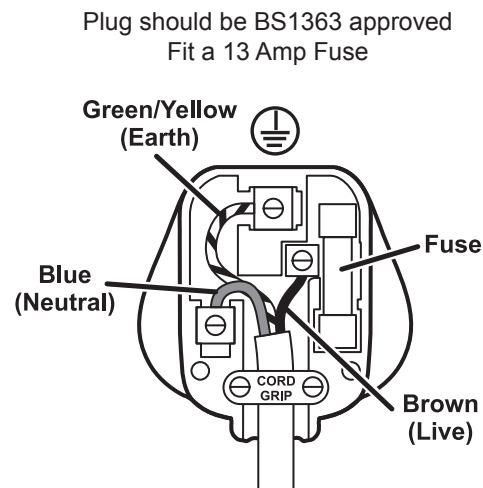
⚠ This appliance must be earthed.

If the plug is not suitable for the socket outlets in your home, it can be removed and replaced by a plug of the correct type.

If the fuse in a moulded plug needs to be changed, the fuse cover must be refitted. The appliance must not be used without the fuse cover fitted.

If the plug is unsuitable, it should be dismantled and removed from the supply cord and an appropriate plug fitted as detailed. If you remove the plug it must not be connected to a 13 amp socket and the plug must be disposed of immediately.

If the terminals in the plug are not marked or if you are unsure about the installation of the plug please contact a qualified electrician.



Ensure that the outer sheath of the cable is firmly held by the clamp

After sales service

These appliances are built to the very highest of standards. There are no user serviceable parts. Follow these steps if the unit fails to operate:

1. Check the instructions have been followed correctly.
2. Check that the fuse has not blown.
3. Check that the mains supply is functional.

If the appliance will still not operate, return the appliance to the place it was purchased for a replacement. To return the appliance to the Customer Service Department, follow the steps below:

1. Pack it carefully (preferably in the original carton). Ensure the unit is clean.
2. Enclose your name and address and quote the model number on all correspondence.
3. Give the reason why you are returning it.
4. If within the guarantee period, state when and where it was purchased and include proof of purchase (e.g. till receipt).
5. Send it to our Customer Service Department at the address below:

Customer Service Department

Jarden Consumer Solutions (Europe) Limited
Middleton Road, Royton, Oldham OL2 5LN, UK.
Telephone: 0800 525 089 Fax: 0161 626 0391
e-mail: enquiriesEurope@jardencs.com

Turn on your Creativity™

Let the Breville® team help you turn on your creativity with a gateway to a world of food and drinks without limits. You don't have to travel far—just to your computer, tablet or mobile—where you will discover our FREE website with top tips and recipes to inspire your imagination. Join us now at **www.turnonyourcreativity.com**

Turn  your creativity®

Please keep your receipt as this will be required for any claims under this guarantee.

This appliance is guaranteed for 1 year after your purchase as described in this document.

During this guaranteed period, if in the unlikely event the appliance no longer functions due to a design or manufacturing fault, please take it back to the place of purchase, with your till receipt and a copy of this guarantee.

The rights and benefits under this guarantee are additional to your statutory rights, which are not affected by this guarantee. Only Jarden Consumer Solutions (Europe) Limited. (“JCS (Europe)”) has the right to change these terms.

JCS (Europe) undertakes within the guarantee period to repair or replace the appliance, or any part of appliance found to be not working properly free of charge provided that:

- you promptly notify the place of purchase or JCS (Europe) of the problem; and
- the appliance has not been altered in any way or subjected to damage, misuse, abuse, repair or alteration by a person other than a person authorised by JCS (Europe).

Faults that occur through, improper use, damage, abuse, use with incorrect voltage, acts of nature, events beyond the control of JCS (Europe), repair or alteration by a person other than a person authorised by JCS (Europe) or failure to follow instructions for use are not covered by this guarantee. Additionally, normal wear and tear, including, but not limited to, minor discoloration and scratches are not covered by this guarantee.

The rights under this guarantee shall only apply to the original purchaser and shall not extend to commercial or communal use.

If your appliance includes a country-specific guarantee or warranty insert please refer to the terms and conditions of such guarantee or warranty in place of this guarantee or contact your local authorized dealer for more information.

Waste electrical products should not be disposed of with Household waste. Please recycle where facilities exist. E-mail us at enquiriesEurope@jardencs.com for further recycling and WEEE information.

Jarden Consumer Solutions (Europe) Limited

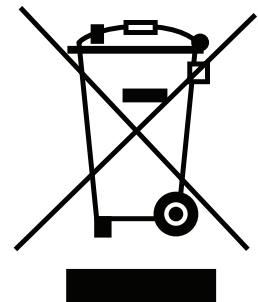
5400 Lakeside

Cheadle Royal Business Park

Cheadle

SK8 3GQ

UK





Jarden Consumer Solutions (Europe) Limited
Cheadle Royal Business Park, Cheadle, SK8 3GQ, United Kingdom
e-mail: enquiriesEurope@jardencs.com
Telephone: 0161 621 6900

For Customer Service details, please see the website.

www.breville.co.uk

© 2015 Jarden Consumer Solutions (Europe) Limited

All rights reserved. Imported and distributed by Jarden Consumer Solutions (Europe) Limited,
Cheadle Royal Business Park, Cheadle, SK8 3GQ, United Kingdom.

The product supplied may differ slightly from the one illustrated due to continuing product development.

Printed in China