

Installation

S19314 Series

**Halo™ Combination Drench Shower
and Eyewash or Eye/Face Wash**

Patents Pending

**Halo™ Combiné douche oculaire
ou douche oculaire/ faciale**

Brevets en instance

**Halo™ Combinación de ducha de
aspersión y lavaojos o lavaojos/
rostro**

Patentes pendiente

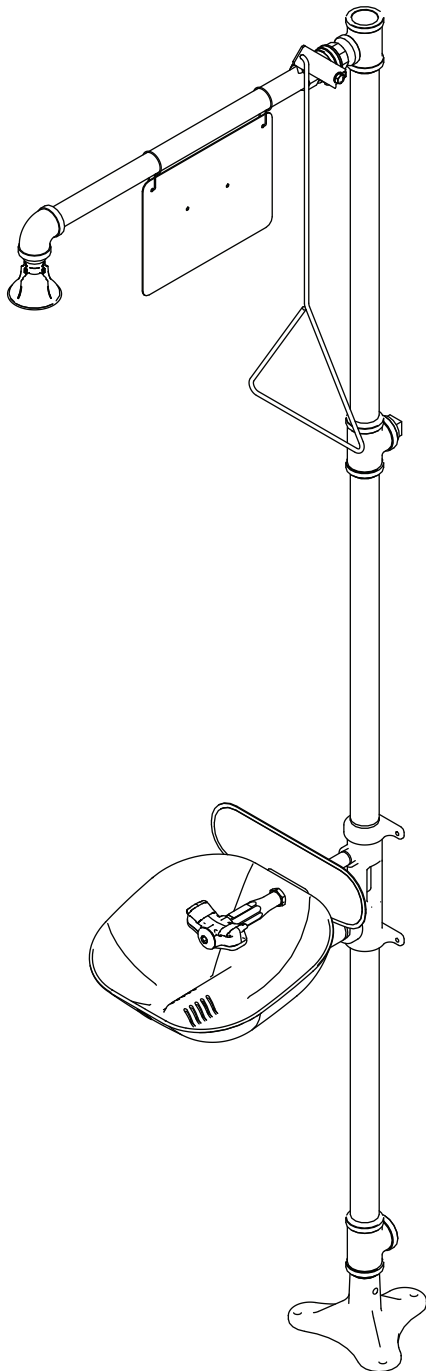
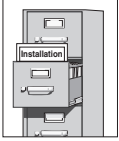


Table of Contents

Table of Contents	2
Pre-Installation Information	3
Halo Pre-Configured Models	4
Halo Configurator	5
Dimensions	6
Installation Instructions	7–8
Service Parts — Bowl and Hub	9–10
Service Parts — Eyewash, Eye/Face Wash and Bowl Covers	11–13
Service Parts — Base and Drain	14
Service Parts — Drench Shower	15–17
Service Parts — Optional Accessories	18
Avant l'installation	19
Configuration du produit	20
Dimensions	21
Instructions d'installation	22–23
Pièces de remplacement — Récepteur et moyeu	24–25
Pièces de remplacement — Douche oculaire, Douche oculaire/ faciale et couvercle anti-poussières	26–28
Pièces de remplacement — Bride et drain	29
Pièces de remplacement — Douche d'urgence	30–32
Pièces de remplacement — Accessoires en option	33
Información previa a la instalación	34
Configuración del producto	35
Dimensiones	36
Instrucciones de instalación	37–38
Piezas de repuesto — Receptor y buje	39–40
Piezas de repuesto — Lavajos, lavajos/rostro y cubierta contrapolvo	41–43
Piezas de repuesto — Base y drenaje	44
Piezas de repuesto — Ducha de aspersión	45–47
Piezas de repuesto — Accesorios opcionales	48

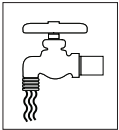
IMPORTANT



Read this installation manual completely to ensure proper installation, then file it with the owner or maintenance department. Compliance and conformity to drain requirements and other local codes and ordinances is the responsibility of the installer.



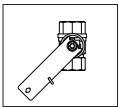
Separate parts from packaging and make sure all parts are accounted for before discarding any packaging material.



Flush the water supply lines before beginning installation and after installation is complete. Test the unit for leaks and adequate water flow. Main water supply to the eyewash should be "ON" at all times. Provisions shall be made to prevent unauthorized shutoff.



The ANSI Z358.1 standard requires an uninterrupted supply of flushing fluid. Bradley plumbed emergency fixtures require a minimum of 30 PSI (0.21MPa) flowing pressure. Flushing fluid should be tepid per ANSI Z358.1.



Self-closing spring-loaded valves are not UL classified to ANSI Z358.1.



The inspection and testing results of this equipment should be recorded weekly to verify proper operation. This equipment should be inspected annually to ensure compliance with ANSI Z358.1.



Workers who may come in contact with potentially hazardous materials should be trained regarding the placement and proper operation of emergency equipment per ANSI Z358.1.



For questions regarding the operation or installation of this product, visit www.bradleycorp.com or call 800-BRADLEY (272.3539).

Product warranties and parts information may also be found under "Products" on our web site at bradleycorp.com.

Supplies Required:

- (3) 3/8" floor anchors and bolts
- Teflon tape and pipe sealant
- Piping to 1 1/4" NPT water supply inlet (30–90 psi)
- Piping to 1 1/4" NPT drain outlet on unit (if included with unit)
- Adequate supply pipe supports
- Provisions to dispose of shower waste water (minimum 30 gallons [115 liters]) should be made (minimum 4" [102mm] drain.
- OPTIONAL: sign-mounting hardware



Local codes may require the installation of a backflow prevention valve to complete proper installation. Compliance with local codes is the responsibility of the installer. Valve must be tested annually to verify that it is functioning properly. Backflow prevention valves are not included with the fixture and may be supplied by the contractor or purchased from Bradley Corporation.

Halo Pre-Configured Models

Halo Model Number	Description
Eyewashes	
<input type="checkbox"/> S19314EW*	Halo Eyewash, plastic showerhead & bowl
<input type="checkbox"/> S19314P*	Halo Eyewash, plastic showerhead & bowl w/ hose spray
<input type="checkbox"/> S19314SB*	Halo Eyewash, plastic showerhead, stainless steel bowl
<input type="checkbox"/> S19314LL*	Halo Eyewash, plastic showerhead, stainless steel bowl, hand/foot activated
<input type="checkbox"/> S19314F*	Halo Eyewash, plastic showerhead w/ stainless steel shroud & bowl
<input type="checkbox"/> S19314UU*	Halo Eyewash, plastic showerhead w/ stainless steel shroud & bowl, hand/foot operated eyewash
Eyewashes with Dust Cover	
<input type="checkbox"/> S19314PDC*	Halo Eyewash, plastic showerhead & bowl w/ dust cover
<input type="checkbox"/> S19314DC*	Halo Eyewash, plastic showerhead, stainless steel bowl & hinged dust cover
Eye-Face Washes	
<input type="checkbox"/> S19314FW*	Halo Eye/face wash, plastic showerhead & bowl
<input type="checkbox"/> S19314SBFW*	Halo Eye/face wash, plastic showerhead, stainless steel bowl
<input type="checkbox"/> S19314AC*	Halo Eye/face wash, plastic showerhead, stainless steel bowl, hand/foot operated eyewash
<input type="checkbox"/> S19314TT*	Halo Eye/face wash, plastic showerhead w/ stainless steel shroud & bowl
<input type="checkbox"/> S19314SPR*	Halo Eye/face wash, stainless steel showerhead & bowl, hand/foot operated eyewash
<input type="checkbox"/> S19314BFPB*	Halo Eye/face wash, barrier-free, plastic showerhead & bowl
<input type="checkbox"/> S19314BF*	Halo Eye/face wash, barrier-free, plastic showerhead, stainless steel bowl
Eye-Face Washes with Dust Covers	
<input type="checkbox"/> S19314PDCFW*	Halo Eye/face wash, plastic showerhead & bowl w/ dust cover
<input type="checkbox"/> S19314DCFW*	Halo Eye/face wash, plastic showerhead, stainless steel bowl & hinged dust cover
<input type="checkbox"/> S19314DCBF*	Halo Eye/face wash, barrier-free, plastic showerhead, stainless steel bowl w/ dust cover
Eye-Face Washes without Eyewash Bowl	
<input type="checkbox"/> S19314GG*	Halo Eye/face wash, plastic showerhead, no bowl
All Stainless Steel Eye-Face Wash	
<input type="checkbox"/> S19314BFSS	Halo stainless steel eye/face wash and showerhead, barrier free
<input type="checkbox"/> S19314FSS	Halo stainless steel eye/face wash and showerhead
<input type="checkbox"/> S19314SC	Halo stainless steel eye/face wash, bowl, cover and showerhead
<input type="checkbox"/> S19314SS	Halo stainless steel eye/face wash and showerhead with foot activation
<input type="checkbox"/> S19314SS16	Halo 316 stainless steel eye/face wash and showerhead with foot activation

* European models available. For European model number, add a Z to end of existing part number. For example, S19314EW will be S19314EWZ.

Halo Configurator

Standard Selections (Must select one from each category)

Configuration

- A** Barrier Free
- B** 24" Drain Height
- C** 24" Drain Height, Barrier Free
- O** Standard, 6" Drain Height

Pipe Material

- A** NPT, Yellow BradTect Galvanized Steel
- B** NPT, All 304 Stainless Steel
- C** NPT, All 316 Stainless Steel*
- D** NPT, Chrome-Plated
- F** BSP, Yellow BradTect Galvanized Steel‡
- G** BSP, All 304 Stainless Steel‡
- J** BSP, Chrome-Plated‡

Ball Valve

- 1** Stay-Open Shower and Eyewash, Chrome-Plated Brass
- 2** Stay-Open Shower and Eyewash, 316 SS
- 3** Self-Closing Shower and Stay-Open Eyewash, Chrome-Plated Brass**

Showerhead

- A** Plastic Showerhead
- B** Plastic Showerhead with Plastic Shroud
- C** Plastic Showerhead with Stainless Steel Shroud
- D** 304 SS High Performance Showerhead
- E** 316 SS High Performance Showerhead

Eyewash – Eye/Face Wash

- A** Halo Eyewash
- B** Halo Eye/Face Wash
- D** Halo Eyewash, 304 SS Yoke
- E** Halo Eye/Face Wash, 304 SS Yoke
- F** 304 SS Halo Eye/Face Wash, 304 SS Yoke
- G** Halo Eyewash, 316 SS Yoke
- H** Halo Eye/Face Wash, 316 SS Yoke
- J** 316 SS Halo Eye/Face Wash, 316 SS Yoke

Bowl and Dust Cover

- A** Plastic Bowl, No Dust Cover
- B** Plastic Bowl, Plastic Dust Cover
- D** 304 SS, No Dust Cover
- E** 304 SS, 304 SS Dust Cover
- F** 304 SS, Plastic Dust Cover
- G** 316 SS, No Dust Cover
- H** 316 SS, 316 SS Dust Cover
- J** 316 SS, Plastic Dust Cover
- O** No Bowl or Dust Cover

Activation

- A** 304 SS Handle
- B** 316 SS Handle
- C** 304 SS Handle with Aluminum Foot Pedal*
- D** 304 SS Handle with Stainless Steel Foot Pedal*
- E** 316 SS Handle with 316 Stainless Steel Foot Pedal*

Drench Hose and Backflow Prevention

- A** Drench Hose Kit with Vacuum Breaker
- B** Drench Hose Kit with N9 Backflow Preventer
- C** Drench Hose Kit with 9D Backflow Preventer
- D** Drench Hose Kit without Backflow Preventer
- O** No Drench Hose and No Backflow Prevention

Freeze and Scald Protection

- N** Anti-Freeze Valve
- P** Anti-Scald Valve
- R** Anti-Freeze and Anti-Scald Valves
- O** No Anti-Freeze Valve and No Anti-Scald Valve

NPT = National Pipe Thread

BSP = British Standard Pipe Thread

* Not available with barrier-free configurations.

** Self-closing valves are not ANSI Z358.1 compliant.

‡ Not available in the U.S.

How to Specify Model and Configurations for Bradley Halo Products:

Model No. S19314

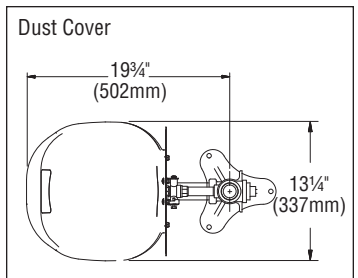
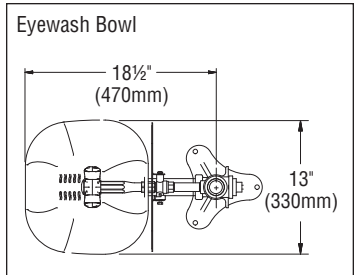
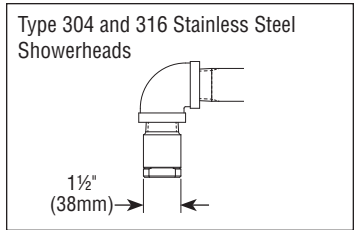
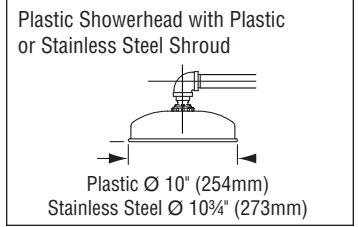
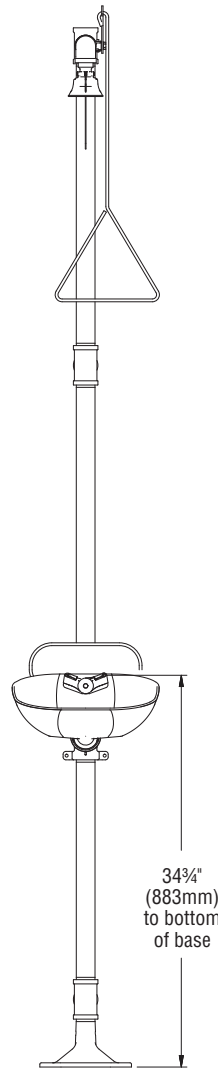
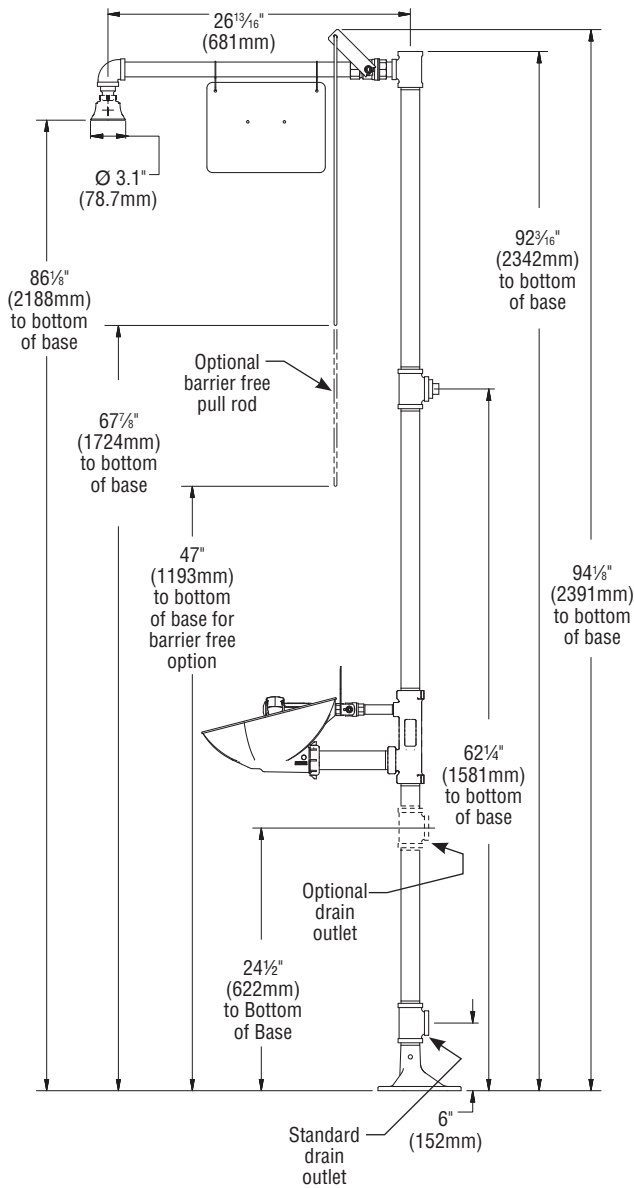



- 1. Configuration
- 2. Pipe Material
- 3. Ball Valve
- 4. Showerhead
- 5. Eyewash – Eye/Face Wash

- 6. Bowl and Dust Cover
- 7. Activation
- 8. Drench Hose and Backflow Prevention
- 9. Freeze and Scald Protection

Dimensions

S19314 shown with Plastic Bowl and Plastic Showerhead



 **All dimensions assume standard thread engagement. Variations in manufacturing allow for +/- 1/8" (3mm) per threaded joint. To find the tolerance of a dimension, add the number of thread joints across the length of the dimension and multiply it by 1/8" (3mm).**

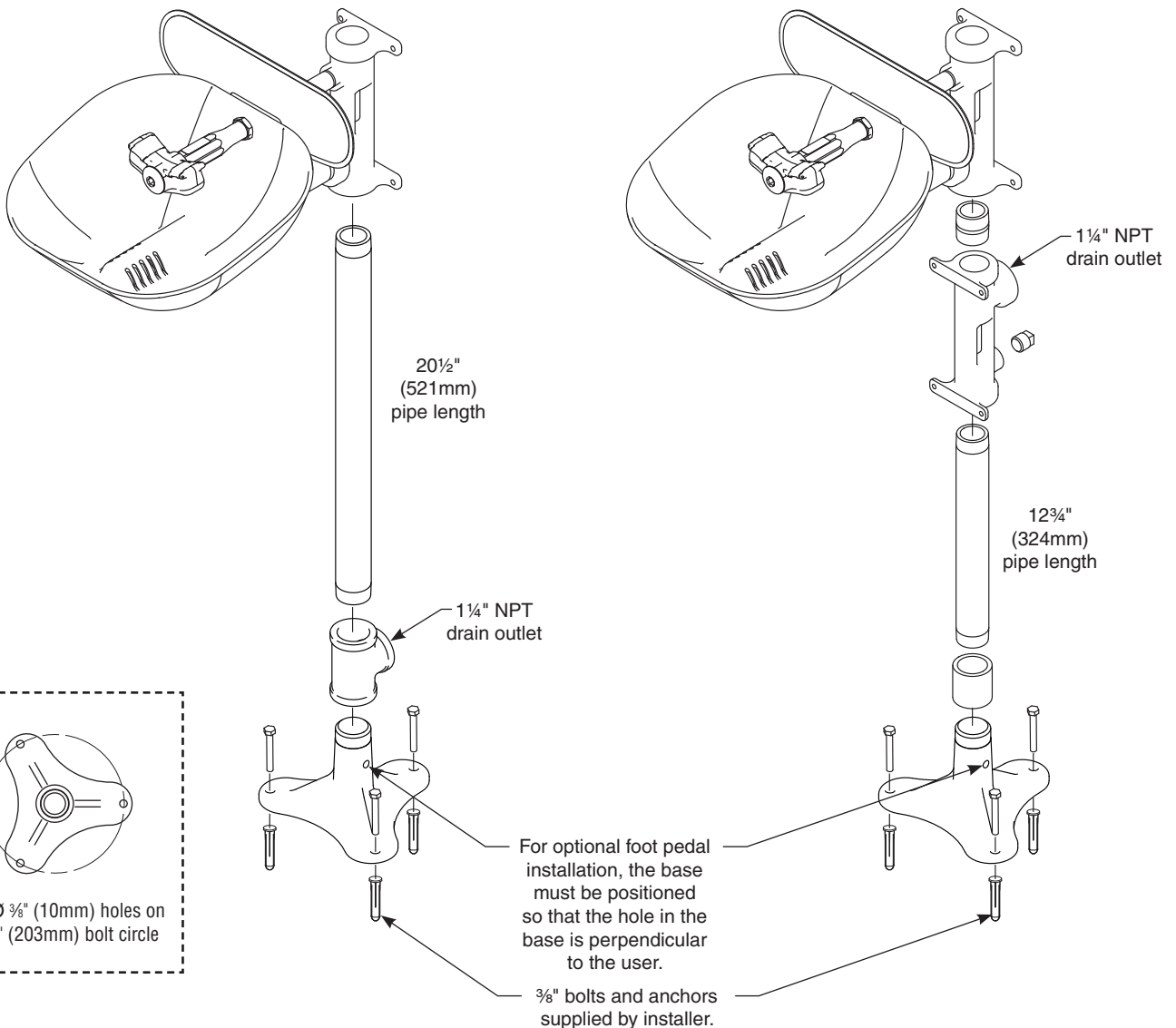
Water Flow Rate	
Showerhead	20–26 gpm
Eyewash	4–5 ¹ / ₄ gpm
Eye/Face Wash	4–5 ¹ / ₄ gpm
Body Wash	2–8 gpm

1 Assembly — Connect Base and Eyewash

- ☑ Standard eyewash unit is shown. Other units are similar.
- ☑ Connect components before securing the base to the floor. When connecting components, use the rubber grip pad (provided) around pipes to prevent marring.
- ☑ Apply pipe sealant (supplied by installer) to all male-threaded pipe joints, making sure not to get any excess over the edge of the pipes.

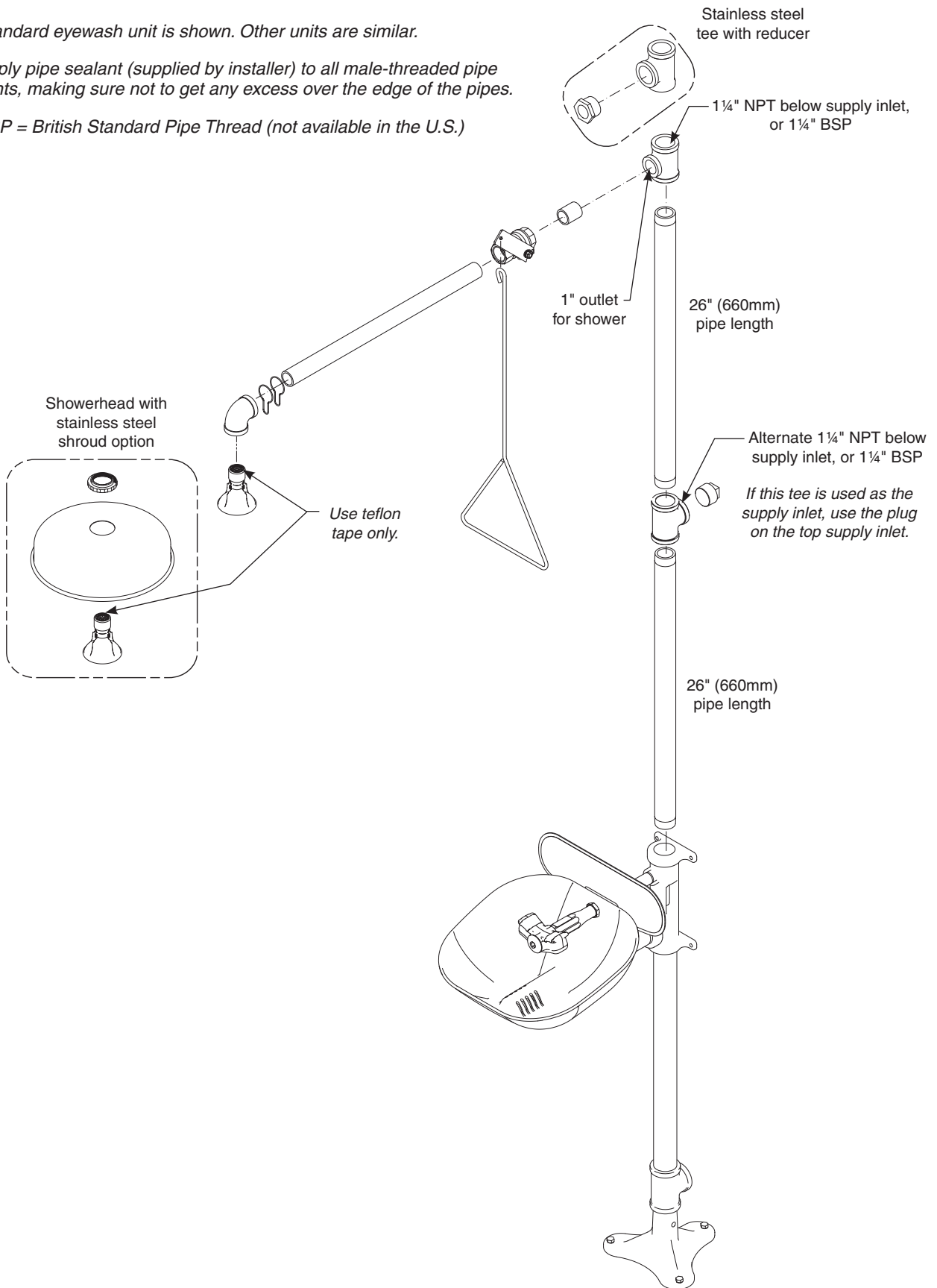
Halo unit with standard drain option

Halo unit with 24" drain option

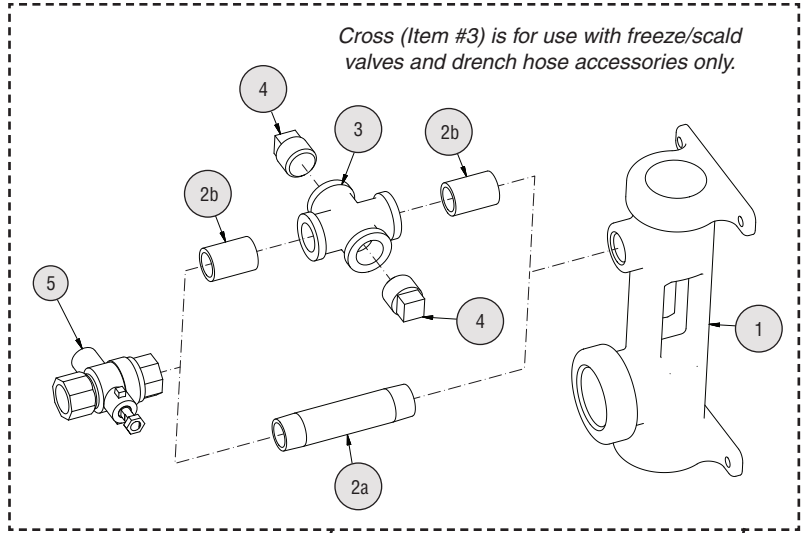


2 Assembly — Connect Drench Shower Components

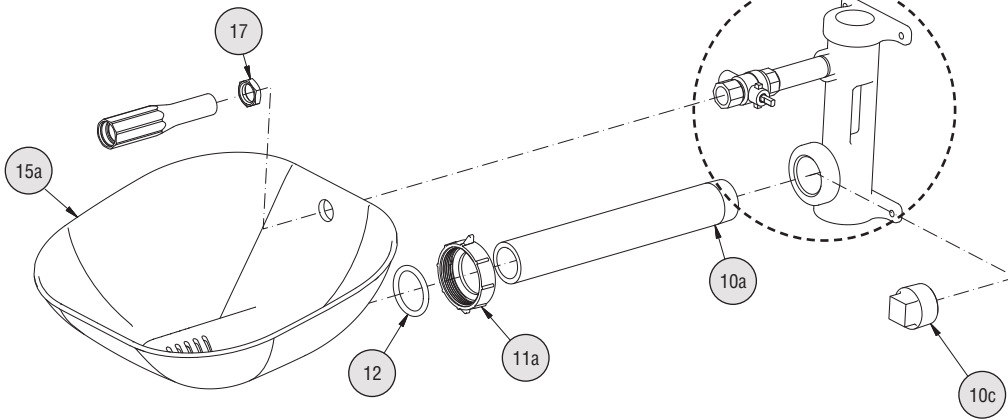
- ✓ Standard eyewash unit is shown. Other units are similar.
- ✓ Apply pipe sealant (supplied by installer) to all male-threaded pipe joints, making sure not to get any excess over the edge of the pipes.
- ✓ BSP = British Standard Pipe Thread (not available in the U.S.)



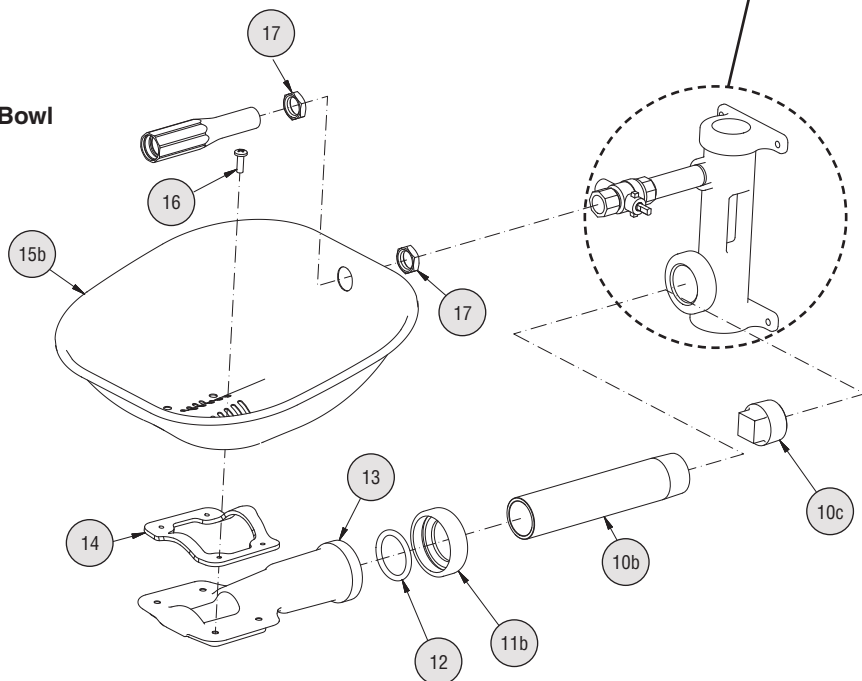
Service Parts — Bowl and Hub



Hub with Plastic Bowl

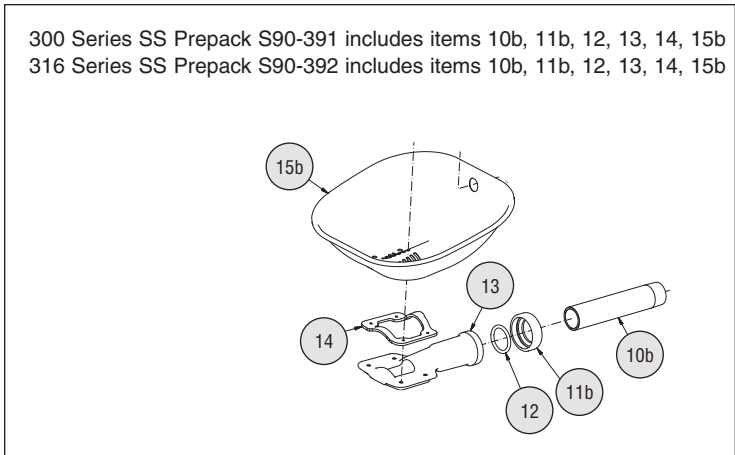
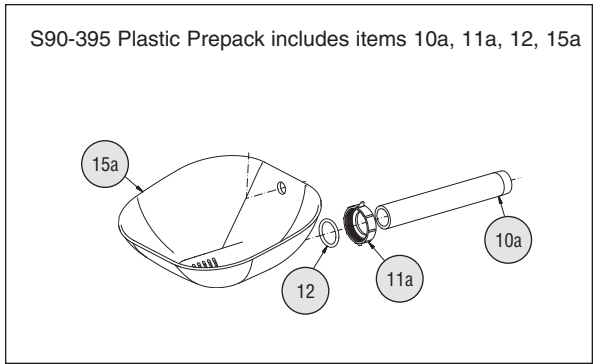


Hub with Stainless Steel Bowl

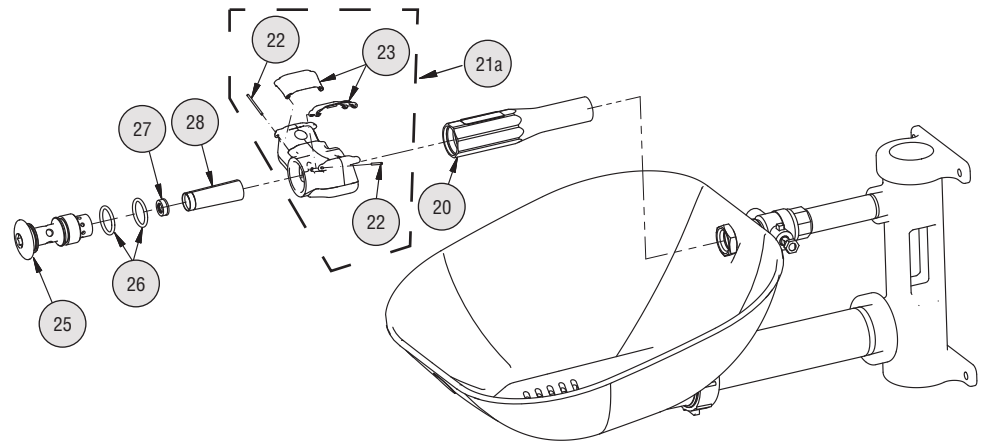


Service Parts List — Bowl and Hub

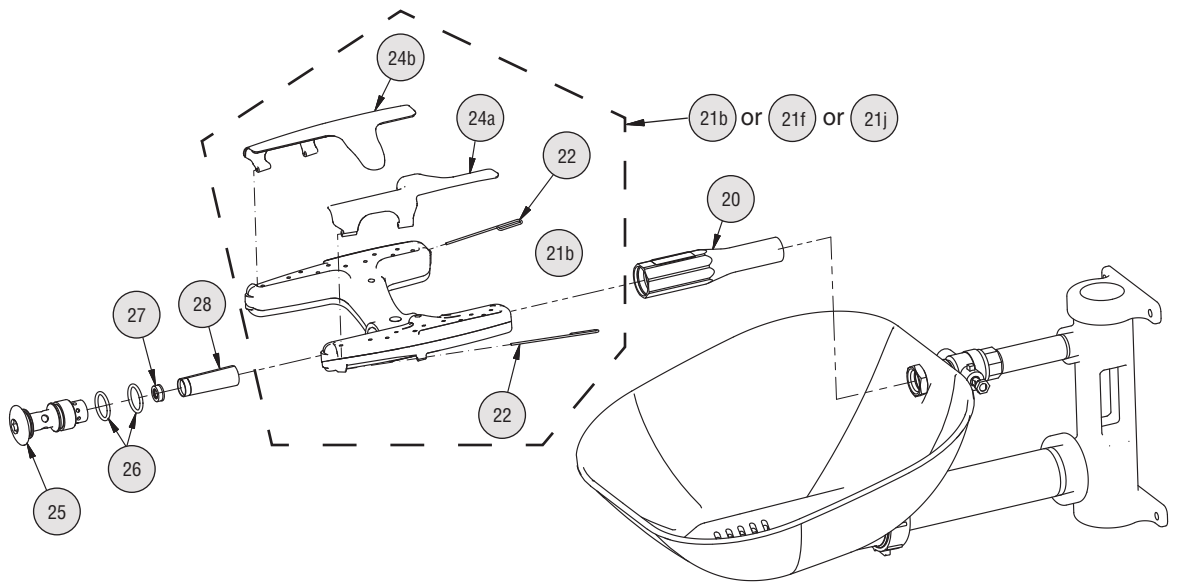
Item	Part No.	Qty	Description	Item	Part No.	Qty	Description
1	111-092	1	Hub	10a	113-1202	1	Pipe 1¼" x 11" thd. one end
1	111-093	1	Hub stainless steel	10a	113-1203	1	Pipe 1¼" x 11" thd. one end stn. steel
1	111-095	1	Hub stainless steel 316	10b	113-1204	1	Pipe 1¼" x 7" thd. one end
1	111-094	1	Hub stainless steel polish	10b	113-1205	1	Pipe 1¼" x 7" thd. one end stainless steel
2a	113-006LQ	1	Pipe ½" x 3½"	10b	113-1206	1	Pipe 1¼" x 7" thd. one end chrome
2a	113-965	1	Pipe ½" x 3½" stainless steel	10b	113-1212	1	Pipe 1¼" x 7" thd. one end stn. steel 316
2a	113-1211	1	Pipe ½" x 3½" stainless steel 316	10c	169-724	1	Plug 1¼" painted galvanized
2a	113-596	1	Pipe ½" x 3½" chrome	10c	269-251	1	Plug 1¼" chrome
2b	113-006LG	2	Pipe ½" x close	10c	269-238	1	Plug 1¼" stainless steel
2b	113-867	2	Pipe ½" x close stainless steel	10c	269-1402	1	Plug 1¼" stainless steel 316
2b	113-1210	2	Pipe ½" x close stainless steel 316	11a	110-239	1	Nut plastic, slip joint
2b	113-006aw	2	Pipe ½" x close chrome	11b	110-240	1	Nut, stainless steel slip joint
3	169-1090	1	Cross ½"	11b	110-242	1	Nut, stainless steel 316 slip joint
3	169-1091	1	Cross ½" stainless steel	12	125-176	1	O-ring
3	169-1098	1	Cross ½" stainless steel 316	13	111-099	1	Bowl mount aluminum
3	169-1097	1	Cross ½" chrome	13	111-100	1	Bowl mount aluminum painted
4	300-0393	2	Plug ½" chrome	13	111-101	1	Bowl mount stainless steel
4	153-230	2	Plug ½" stainless steel	13	111-102	1	Bowl mount stainless steel 316
4	153-460	2	Plug ½" stainless steel 316	14	124-082	1	Bowl gasket
5	S27-327	1	Ball valve ½" with nut	15a	187-320	1	Bowl plastic
5	S27-328	1	Ball valve ½" ss 316 with nut	15b	S90-393	1	Bowl stainless steel (includes Item 14)
5	S27-329	1	Ball valve ½" frost proof with nut	15b	S90-394	1	Bowl stn. steel 316 (includes Item 14)
5	S27-330	1	Ball valve ½" ss 316 frost proof with nut	16	160-467	4	Screw
5.1	110-215	1	Nut	17	110-115a	as req'd.	Nut ½" NPSM chrome brass
5.1	110-248	1	Nut stainless steel 316	17	110-238	as req'd.	Nut ½" NPSM stainless steel
				17	110-241	as req'd.	Nut ½" NPSM stainless steel 316



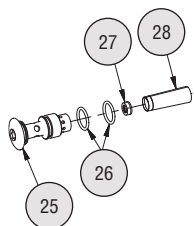
Service Parts — Eyewash



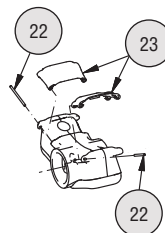
Service Parts — Eye/Face Wash



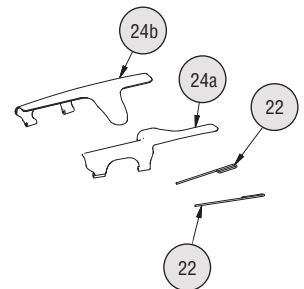
Prepack S65-339 includes items 26, 27, 28
 Prepack S88-068 includes items 25, 26, 27, 28
 Prepack S88-069 includes items 25, 26, 27, 28 (300 series ss)
 Prepack S88-070 includes items 25, 26, 27, 28 (316 ss)



Eyewash Cover Prepack
 S45-2675 includes items
 22 and 23

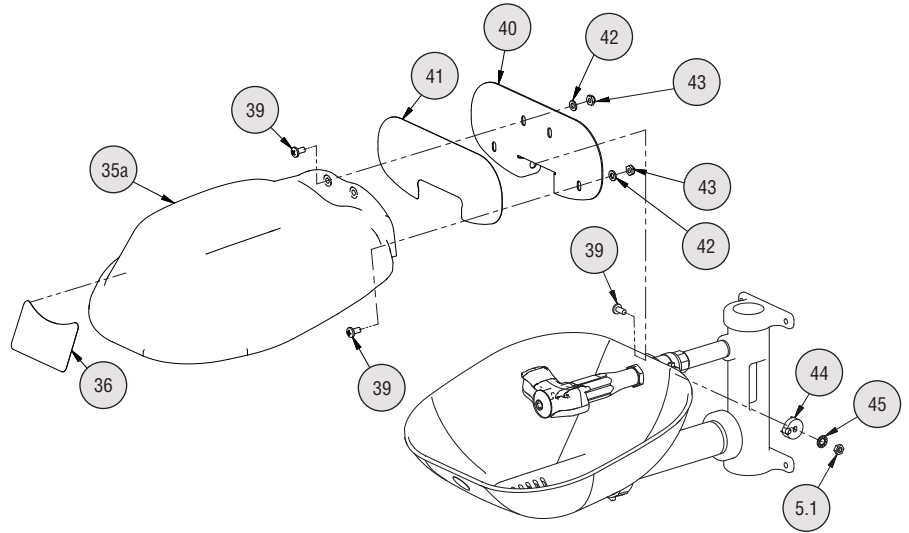
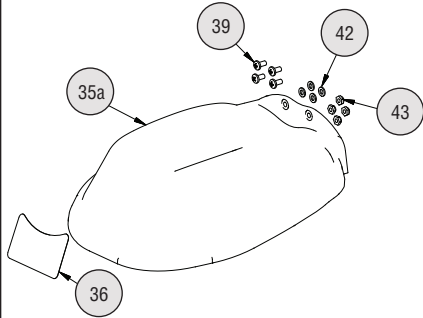


Eye/Face Wash Cover Prepack
 S45-2676 includes items 22,
 24a and 24b



Service Parts — Plastic Bowl Cover

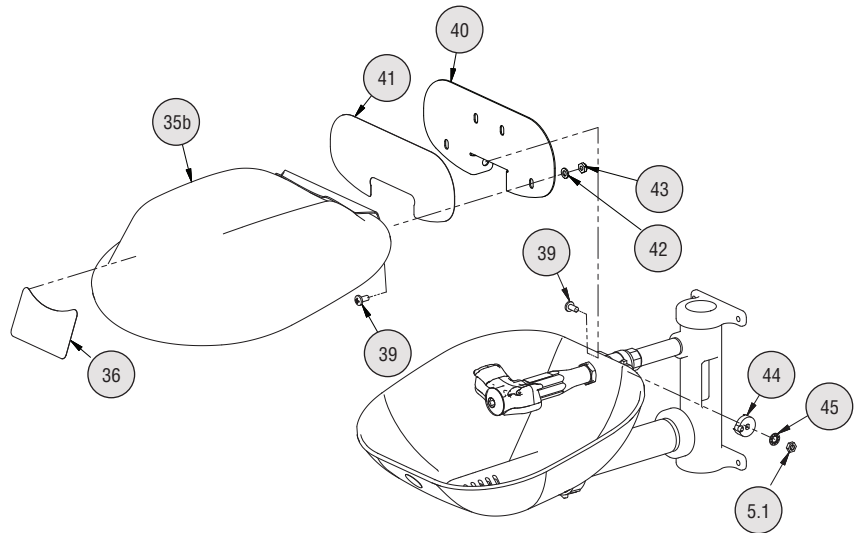
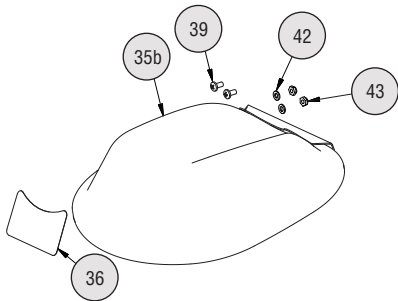
Plastic Bowl Cover Prepack S90-390 includes items 35a, 36, 39, 42, 43



Service Parts — Stainless Steel Bowl Cover

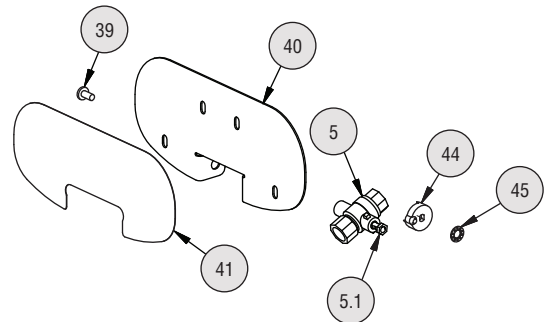
Stainless Steel Bowl Cover Prepack S90-388 includes items 35b, 36, 39, 42, 43

Stainless Steel (316) Bowl Cover Prepack S90-389 includes items 35b, 36, 39, 42, 43



Handle Prepacks include items 39, 40, 41, 44, 45, 5, 5.1

- Prepack S08-390 (for units with brass ball valve)
- Prepack S08-391 (for units with stainless steel ball valve)
- Prepack S08-392 (for units with brass frost-proof ball valve)
- Prepack S08-393 (for units with stainless steel frost-proof ball valve)
- Prepack S08-394 (for units with 316 stainless steel ball valve and handle)
- Prepack S08-395 (for units with 316 stainless steel frost-proof ball valve and handle)



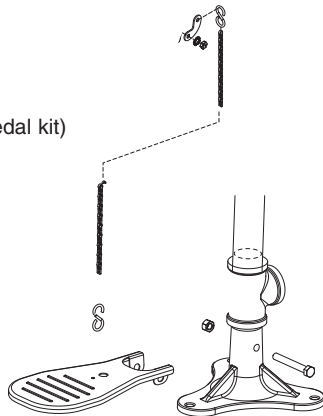
Service Parts List — Eyewash, Eye/Face Wash and Bowl Covers

Item	Part No.	Qty	Description	Item	Part No.	Qty	Description
20	171-001	1	Body	26	125-157	2	O-ring
20	171-002	1	Body stainless steel	27	125-175	1	Flow control
20	171-003	1	Body stainless steel 316	28	S65-340	1	Screen (incl. 3 per pack)
20	171-004	1	Body polished	35a	in service kit	1	Bowl cover plastic
21a	S05-190	1	Sprayhead ass'y. eyewash (includes)	35b	in service kit	1	Bowl cover stainless steel
22	in service kit	2	Pivot pin	35b	in service kit	1	Bowl cover stainless steel 316
23	in service kit	2	Flip cover eyewash	36	114-097	1	Bowl cover decal
21b	S05-192	1	Sprayhead ass'y. eye/face wash (includes)	39	160-389	as req'd.	Screw 1/4-20 x 1/2" stn. steel
22	in service kit	2	Pivot pin	39	160-469	as req'd.	Screw 1/4-20 x 1/2" stn. steel 316
24a	in service kit	1	Flip cover right	40	S08-385	1	Handle ss (incl. items 41, 44, 45, 5.1)
24b	in service kit	1	Flip cover left	40	S08-388	1	Handle ss 316 (incl. items 41, 44, 45, 5.1)
21f	S05-204	1	Sprayhead stainless steel 304 ass'y. eye/face (includes)	41	114-096	1	Decal
22	in service kit	2	Pivot pin	42	142-002AV	as req'd.	Bowl cover washer
24a	in service kit	1	Flip cover right	43	161-060	as req'd.	Nut stainless steel
24b	in service kit	1	Flip cover left	43	161-062	as req'd.	Nut stainless steel 316
21j	S05-205	1	Sprayhead stainless steel 316 ass'y. eye/face (includes)	44	153-372R	1	Adapter ball valve
22	in service kit	2	Pivot pin	44	153-372R316	1	Adapter ball valve stainless steel 316
24a	in service kit	1	Flip cover right	45	142-002DA	1	Lockwasher
24b	in service kit	1	Flip cover left				
25	115-158	1	Cap				
25	115-159	1	Cap stainless steel				
25	115-164	1	Cap stainless steel 316				
25	115-165	1	Cap polished				

Service Parts and Parts List — Base and Drain

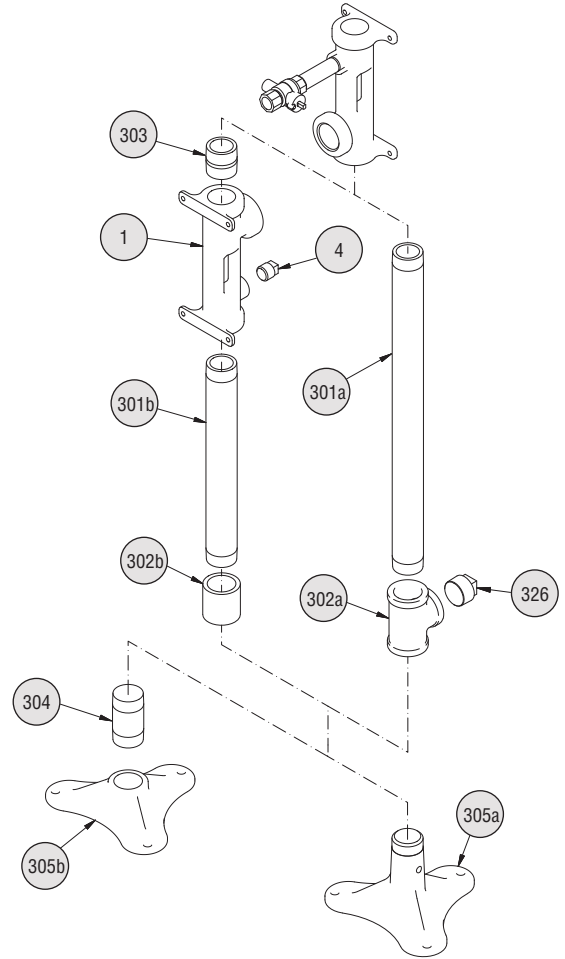
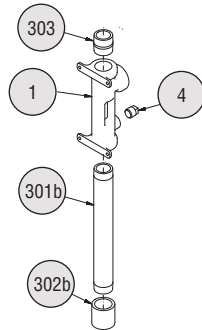
Foot Pedal kits

- S45-572 (standard foot pedal kit)
- S45-1314SS (stainless steel foot pedal kit)
- S45-1314SS16 (316 stainless steel foot pedal kit)



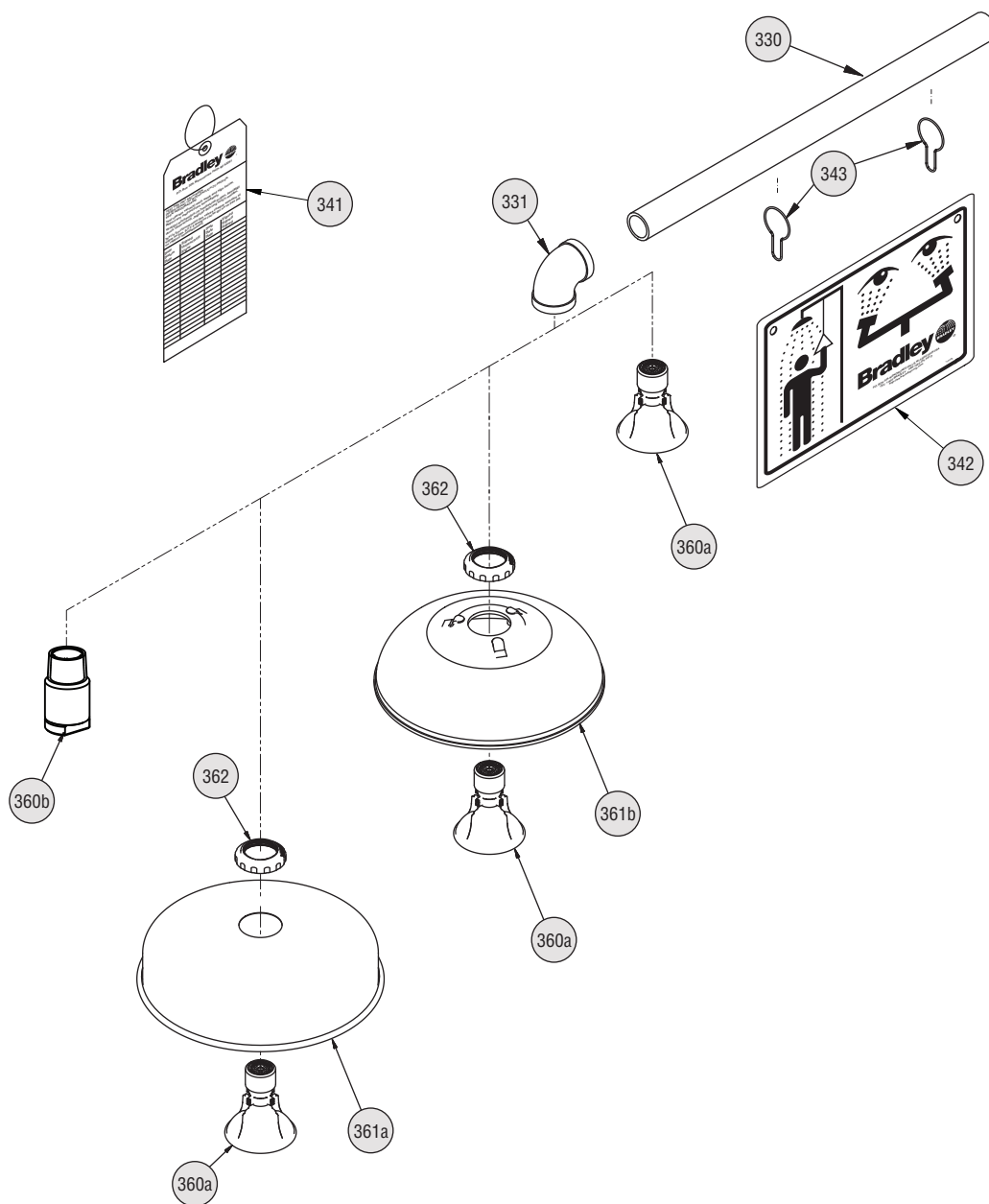
Base and Drain Kits for 24" Drains include items 1, 4, 301b, 302b, 303

- S29-098 (standard)
- S29-099 (stainless steel)
- S29-100 (316 stainless steel)
- S29-101 (chrome)



Item	Part No.	Qty.	Description	Item	Part No.	Qty.	Description
1	111-092	1	Hub	302a	269-253	1	Tee 1¼" chrome
1	111-093	1	Hub stainless steel	302b	169-853	1	Coupling 1¼" galvanized
1	111-095	1	Hub stainless steel 316	302b	269-257	1	Coupling 1¼" chrome
1	111-094	1	Hub stainless steel polish	302b	269-1048	1	Coupling 1¼" stainless steel
4	300-0393	2	Plug ½" chrome	302b	269-2016	1	Coupling 1¼" stainless steel 316
4	153-230	2	Plug ½" stainless steel	303	113-006NA	1	Pipe 1¼" x close painted galvanized
4	153-460	2	Plug ½" stainless steel 316	303	113-865	1	Pipe 1¼" x close stainless steel
301a	113-1197	1	Pipe 1¼" x 20½"	303	113-1223	1	Pipe 1¼" x close stainless steel 316
301a	113-1198	1	Pipe 1¼" x 20½" chrome	304	S06-189	1	Plug chrome solid
301a	113-541	1	Pipe 1¼" x 20½" stainless steel	305a	131-059	1	Base painted
301a	113-1213	1	Pipe 1¼" x 20½" stainless steel 316	305a	131-062	1	Base stainless steel
301b	113-1217	1	Pipe 1¼" x 12¾"	305a	131-079	1	Base stainless steel 316
301b	113-1218	1	Pipe 1¼" x 12¾" chrome	305b	131-044	1	Base chrome
301b	113-1219	1	Pipe 1¼" x 12¾" stainless steel	326	169-724	1	Plug 1¼" painted galvanized
301b	113-1220	1	Pipe 1¼" x 12¾" stainless steel 316	326	269-251	1	Plug 1¼" chrome
302a	169-727	1	Tee 1¼" painted galvanized	326	269-238	1	Plug 1¼" stainless steel
302a	269-237	1	Tee 1¼" stainless steel	326	269-1402	1	Plug 1¼" stainless steel 316
302a	269-1398	1	Tee 1¼" stainless steel 316				

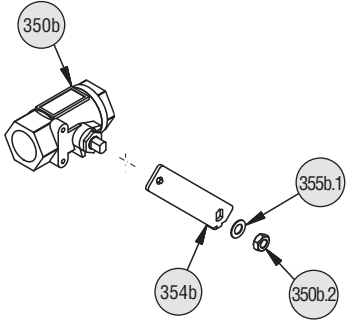
Service Parts — Drench Shower



Service Parts — Drench Shower

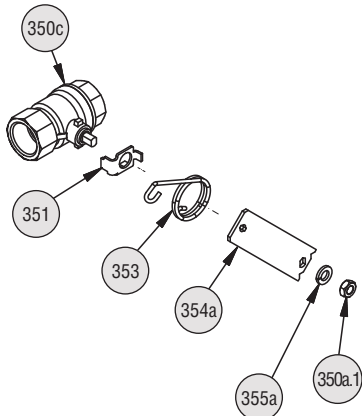
Stainless Steel Valve Prepacks include items 350b, 354b, 355b

- S30-061 (for stainless steel valve)
- S30-081 (for 316 stainless steel valve)
- S30-104 (for frost-proof stainless steel valve)



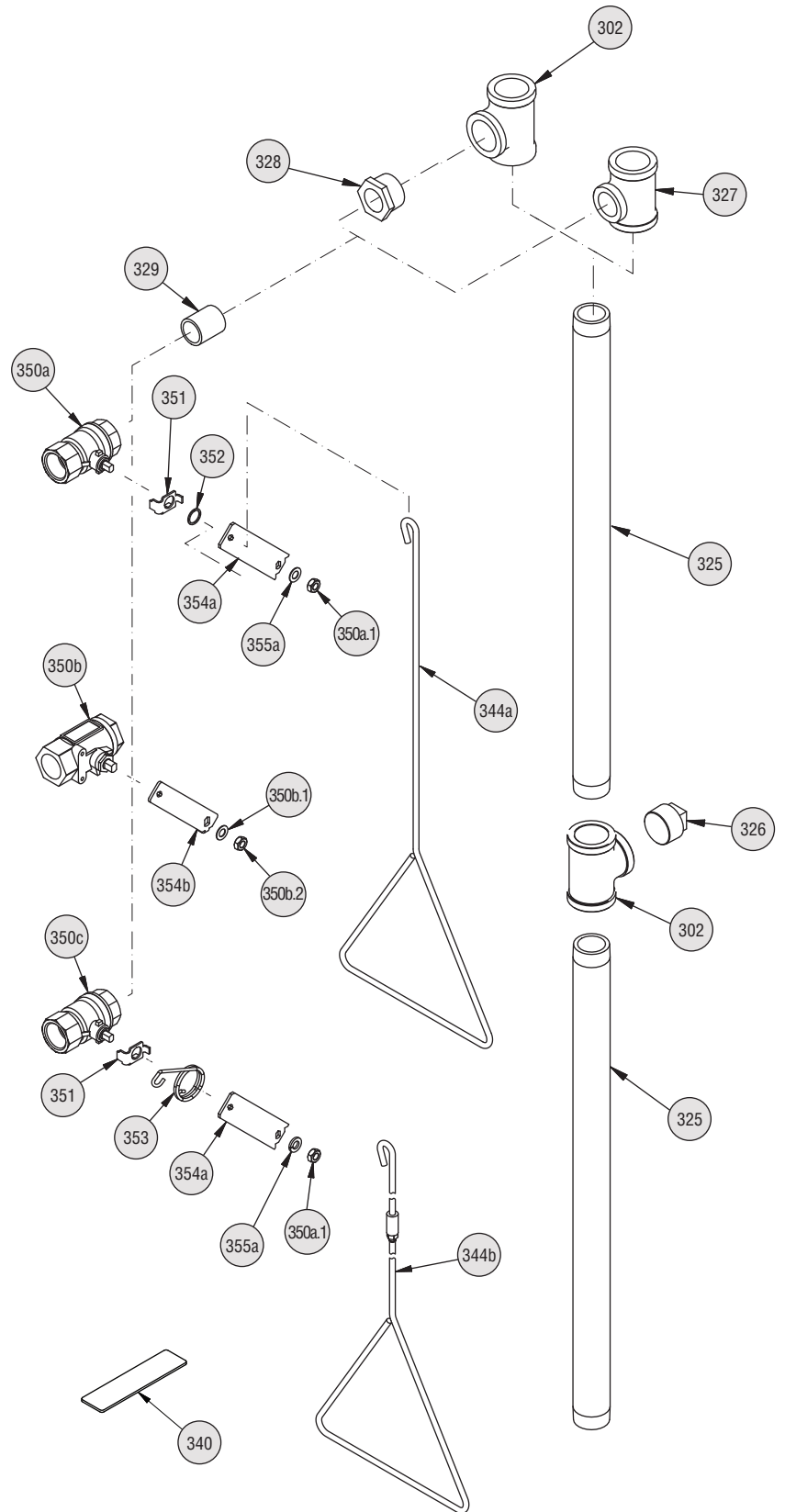
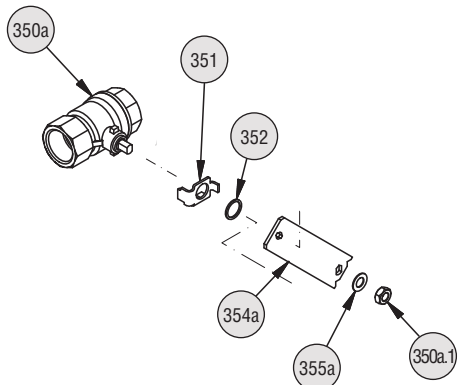
Self-Closing Valve Prepacks

- S19-0011 (for standard brass valve)
 - S30-107 (for frost-proof brass valve)
- includes items 350c, 351, 353, 354a, 355a



Brass Valve Prepacks include items 350a, 351, 353, 354a, 355a

- S30-059 (for standard brass valve)
- S30-103 (for frost-proof brass valve)

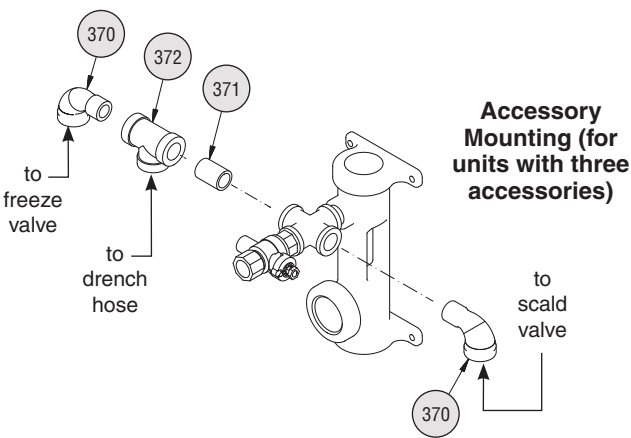
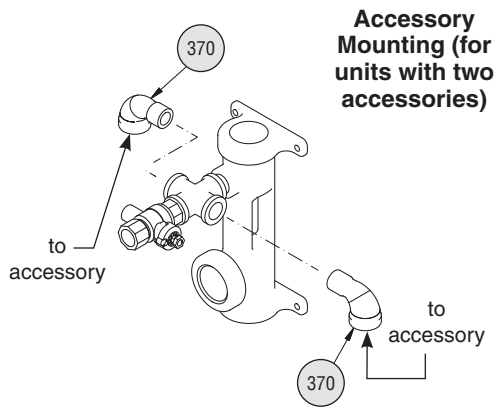


Parts List — Showerhead and Shower Valves

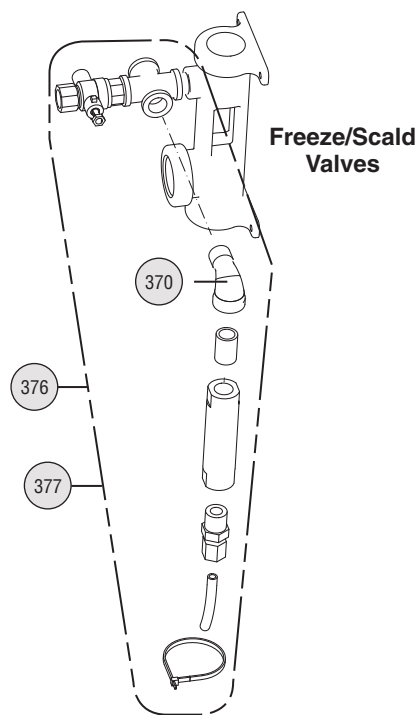
 **BSP = British Standard Pipe Thread (not available in the U.S.)**

Item	Part No.	Qty	Description	Item	Part No.	Qty	Description
302	169-727	1	Tee 1¼" painted galvanized	340	269-915	1	Rubber Grip Pad
302	169-727B	1	Tee 1¼" painted galvanized BSP	341	204-421	1	Emergency Inspection Tag
302	269-237	2	Tee 1¼" stainless steel	342	114-052	1	Safety Sign
302	269-1398	2	Tee 1¼" stainless steel 316	342	114-052E	1	Safety Sign (not available in the U.S.)
302	269-253	1	Tee 1¼" chrome	343	151-001	2	Curtain Hook for Safety Sign
325	113-1199	2	Pipe 1¼" x 26"	344a	128-156A	1	Pull Rod
325	113-1195	2	Pipe 1¼" x 26" stainless steel 316	344b	S90-365D	1	Pull Rod ADA
325	113-1200	2	Pipe 1¼" x 26" stainless steel	344a	128-157	1	Pull Rod stainless steel 316
325	113-1201	2	Pipe 1¼" x 26" chrome	350a	S27-278	1	Ball valve 1"
326	169-724	1	Plug 1¼" painted galvanized	350a	S27-301	1	Ball valve 1" frost proof
326	269-251	1	Plug 1¼" chrome	350a.1	110-214	1	Nut
326	269-238	1	Plug 1¼" stainless steel	350b	S27-276	1	Ball valve 1" stainless steel
326	269-1402	1	Plug 1¼" stainless steel 316	350b	S27-325	1	Ball valve 1" stainless steel frost proof
327	169-722	1	Tee 1¼" x 1" x 1¼"	350b.1	142-002BC	1	Lockwasher
327	169-722B	1	Tee 1¼" x 1" x 1¼" BSP	350b.2	161-079	1	Nut
327	269-249	1	Tee 1¼" x 1" x 1¼" chrome	350c	S27-286	1	Ball valve 1" self-closing
328	269-1400	1	Reducer 1¼" x 1" stainless steel 316	351	140-720	1	Bracket stop ball
328	269-236	1	Reducer 1¼" x 1" stainless steel	352	124-048	1	Washer flat
329	113-006LN	1	Pipe 1" x close painted galvanized	353	S19-001	1	Spring
329	113-1214	1	Pipe 1" x close stainless steel 316	354a	128-129	1	Handle
329	113-006NL	1	Pipe 1" x close stainless steel	354b	128-142	1	Handle stainless steel
329	113-625	1	Pipe 1" x close chrome	354b	128-155	1	Handle stainless steel 316
330	113-006MT	1	Pipe 1" x 21" painted galvanized	355a	142-002DC	1	Lockwasher ⅜"
330	113-1215	1	Pipe 1" x 21" stainless steel 316	360a	S24-188	1	Drench shower assembly
330	113-864	1	Pipe 1" x 21" stainless steel	360b	S24-191	1	Drench shower stainless steel
330	113-1216	1	Pipe 1" x 21" chrome	360b	S24-201	1	Drench shower stainless steel 316
331	169-847	1	Elbow 1" painted galvanized	361a	187-053	1	Shroud stainless steel
331	169-1073	1	Elbow 1" chrome	361b	154-058	1	Shroud plastic
331	169-1074	1	Elbow 1" stainless steel	362	154-147	1	Shroud ring
331	169-1075	1	Elbow 1" stainless steel 316				

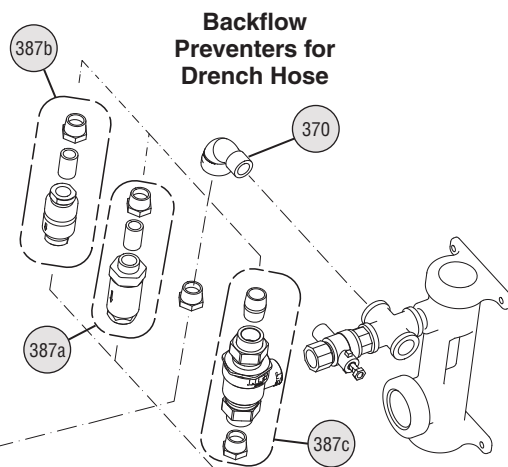
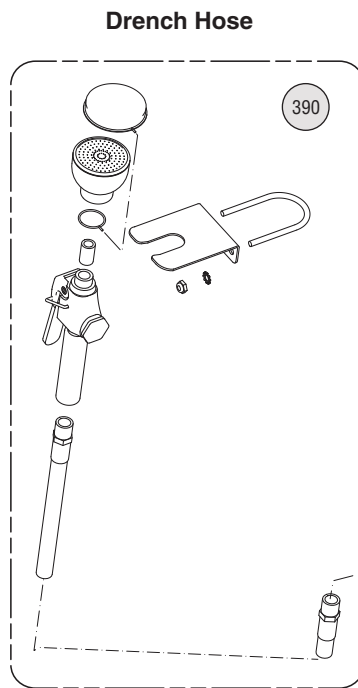
Service Parts and Parts List — Optional Accessories



Item	Part No.	Qty.	Description
370	169-025	as req'd.	Elbow ½"
370	269-241	as req'd.	Elbow ½" stainless steel
370	269-1396	as req'd.	Elbow ½" stainless steel 316
370	169-862	as req'd.	Elbow ½" chrome
371	113-006LG	1	Pipe ½" x close
371	113-867	1	Pipe ½" x close stainless steel
371	113-1210	1	Pipe ½" x close stainless steel 316
371	113-006AW	1	Pipe ½" x close chrome
372	169-838	1	Tee ½"
372	169-1100	1	Tee ½" stainless steel
372	269-280	1	Tee ½" chrome
372	169-1099	1	Tee ½" stainless steel 316



Item	Part No.	Description
376	S45-1986	Freeze Valve kit
377	S45-1989	Scald Valve kit



Item	Part No.	Qty.	Description
387a	S27-303	1	Vacuum breaker in-line ¾"
387b	S45-2309	1	Backflow preventer N9
387c	S45-2310	1	Backflow preventer 9D
390	S19-430EH	1	Spray Kit