

# axis

## CAR AUDIO

### MECHLESS AM/FM MULTIMEDIA PLAYER RECEIVER BLUETOOTH w BUILT-IN SPEAKERS

- Front Panel USB/SD-MMC/AUX-IN • 12/24 Volt



## SPECIFICATIONS:

### GENERAL:

Mechless  
Fixed Face Panel  
Ultra Memory Power Backup  
Built-In Speakers  
ISO DIN Mounting  
ISO Wiring harness  
Dimensions - Chassis: 178W x 50H x 120Dmm  
- Face Panel: 188W x 58H x 19Dmm  
12/24 Volt DC (10.8-32V) Negative Ground

### TUNER:

PLL Synthesized AM/FM Stereo  
Xtreme Long Range Tuner  
FM 87.5~108 MHz; AM 522~1710 KHz  
Interference Absorption Circuit  
30 Station Presets - 18FM/12AM Memory  
Automatic or Manual Tuning  
Station Seek / Preset Scan / Auto Store  
Local / Distant Control  
Mono / Stereo  
Digital Clock

### MULTIMEDIA:

USB Input: Front Panel  
SD / MMC Card Port: Front Panel  
AUX-IN Socket: Front Panel  
MP3 / WMA Player  
Intro / Repeat / Random Play / Pause  
Track Down / Up Select (MP3/WMA Files)

### AUDIO CONTROL:

Rotary Encoder  
Electronic Volume / Balance / Bass / Treble / Fader  
Loud/Mute  
Front Panel AUX-IN  
2 Ch RCA Line Out - 5 Volt (Max)  
4-Band DSP Settings  
Speaker Impedance 4-8 Ohms  
Max Power 25 Watts x 4 Ch

### BLUETOOTH:

Bluetooth in Phone Mode  
External Microphone  
Bluetooth Antenna  
Audio Streaming

12/24V ⚡  
2YEAR  
WARRANTY

DESIGNED FOR AUSTRALASIAN CONDITIONS

# INSTALLATION MANUAL

# AX1300BT

# INSTALLATION

## PRECAUTIONS

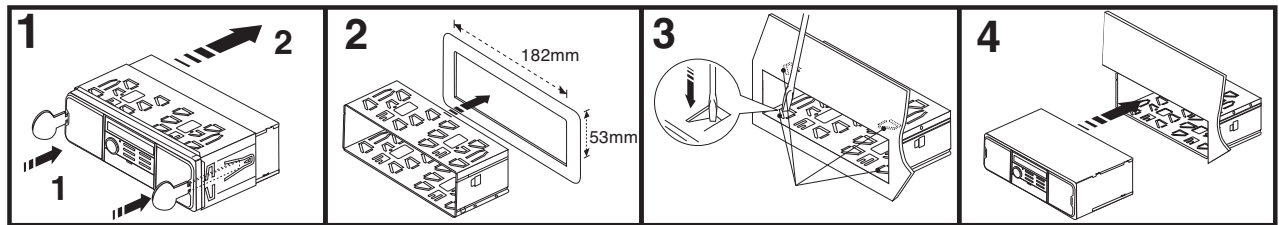
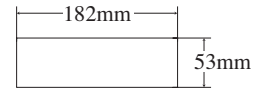
- Carefully choose the mounting location so normal driving is not hindered.
- Avoid installing the unit where it would be subject to high temperatures (direct sunlight or hot air from the heater) or where it would be subject to dust, dirt or excessive vibration.
- Only use mounting hardware supplied for a safe and secure installation.
- Remove the front panel before installing the unit.

## Mounting angle adjustment

Adjust the mounting angle to less than 20°.

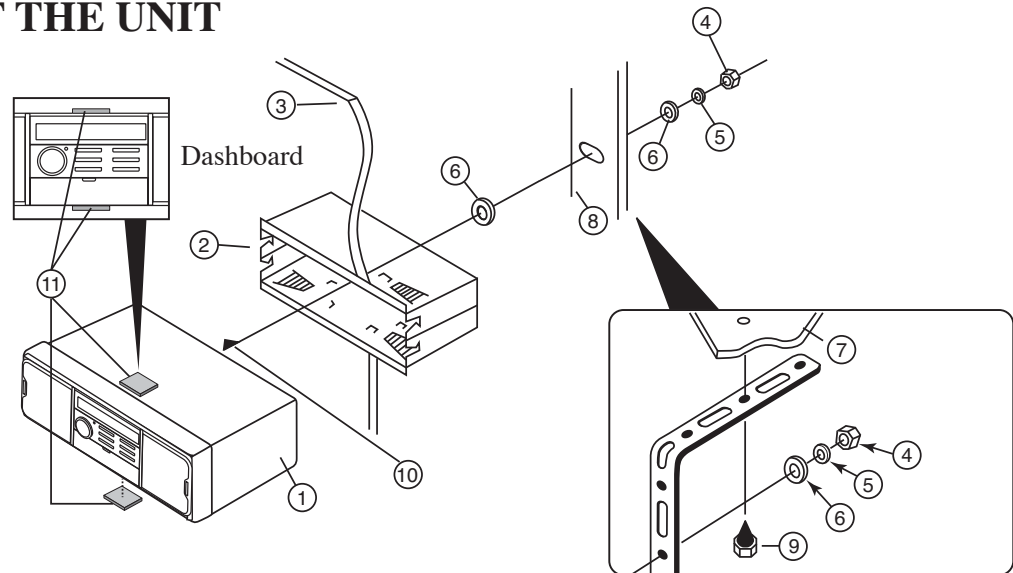
## MOUNTING EXAMPLE

### Installation in the dashboard



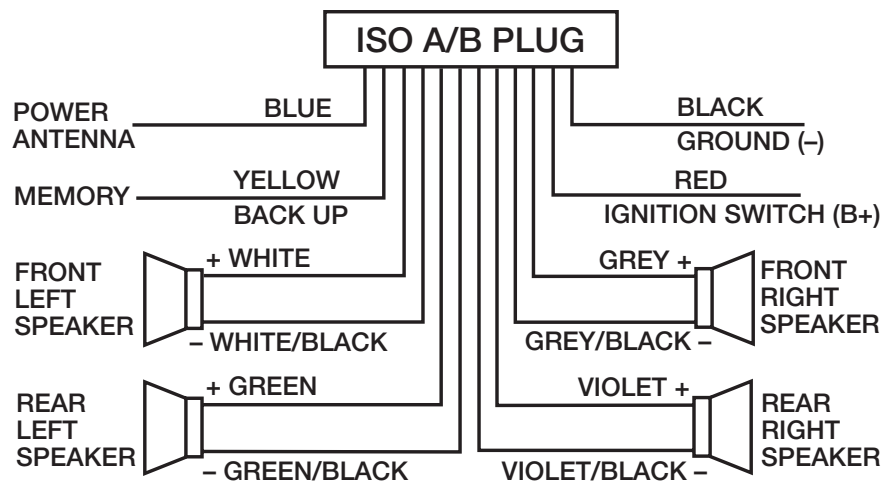
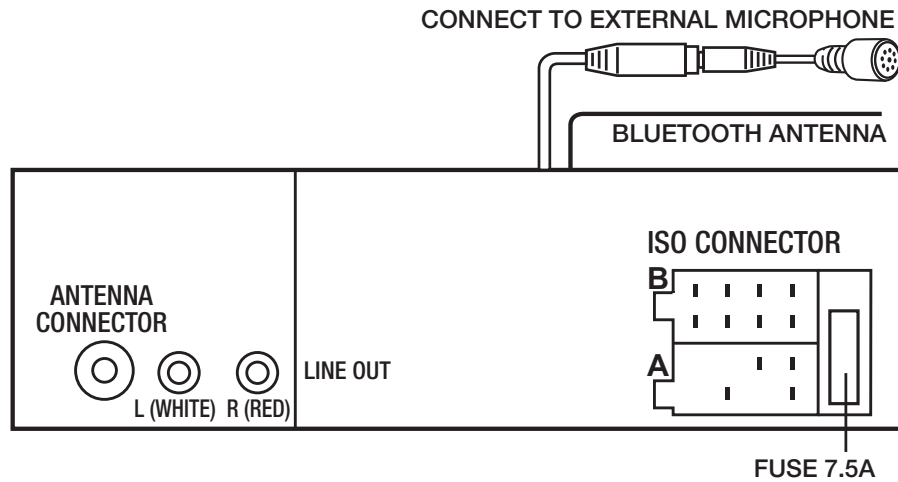
**Note:** Keep the release key in the safe place as you may need it in future to remove the unit from the car.

## TO SUPPORT THE UNIT



1. UNIT
2. RELEASE CASE
3. DASH
4. HEX NUT
5. LOCK WASHER
6. PLAIN WASHER
7. CAR BODY
8. REAR SUPPORT STRAP
9. TAPPING SCREW
10. M5 X 15 HEX BOLT
11. VINYL DAMPENING SPACER

# WIRE CONNECTION



## Maintenance

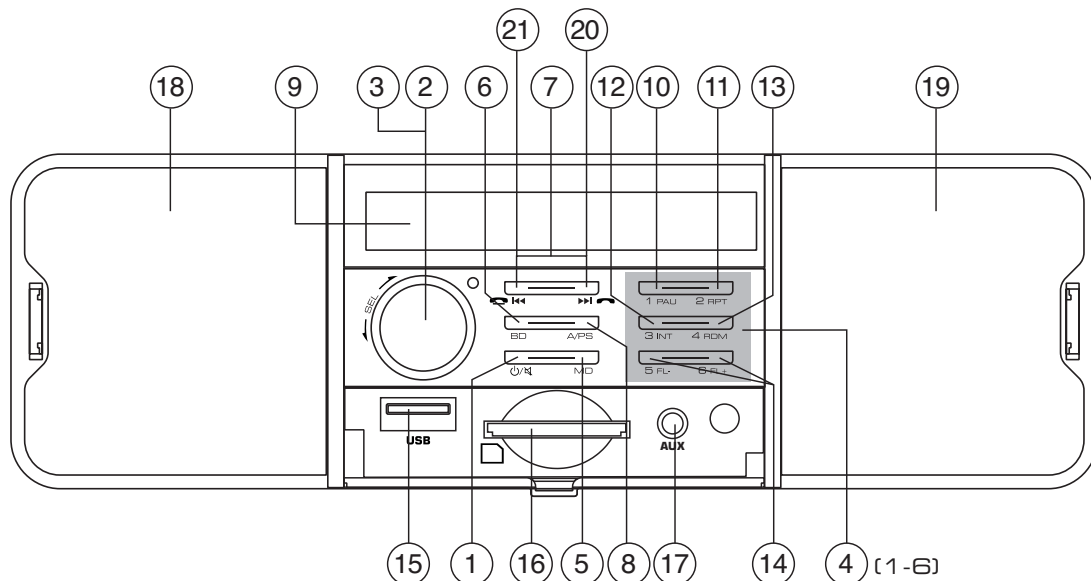
### FUSE REPLACEMENT

If a fuse blows, check all power connections and replace the fuse. If the fuse blows check for an electronic or wiring fault. In this case, consult your nearest service centre.

### Warning

Use the specified amperage fuse for each lead. Use of a higher amperage fuse may cause serious damage and void the warranty.

# CONTROL FUNCTIONS



## LOCATIONS OF PARTS

1. POWER ON/OFF ( ) / MUTE ( )
2. FUNCTION SELECT BUTTON: BASS/TREBLE/BALANCE/FADER / EQ/VOLUME LEVEL/STEREO/LOUDNESS/SPEAKER/LOCAL/ADJUST CLOCK (SEL)
3. VOL UP/VOL DOWN FOR BASS/TREBLE/BALANCE/FADER
4. PRESET STATIONS (1,2,3,4,5,6)
5. MODE BUTTON (MD)
6. BAND / DISPLAY BUTTON (BD)
7. AUTOMATIC OR MANUAL TUNING (FREQ UP OR FREQ DOWN ) / TRACK/SEARCH BUTTON
8. AUTO SEEK SEARCH TUNING (A/PS)
9. LCD DISPLAY
10. PAUSE BUTTON
11. REPEAT BUTTON
12. INTRO BUTTON (Preview all Tracks)
13. RANDOM BUTTON
14. PREVIOUS/NEXT FOLDER SELECT: (In case of MP3/WMA files)
15. USB PORT
16. MULTI-MEDIA CARD (MMC) / SD CARD SLOT
17. AUX IN
18. LEFT SPEAKER
19. RIGHT SPEAKER
20. ANSWER CALL ( )
21. END A CALL ( )

# OPERATING INSTRUCTIONS

## 1. POWER ON/OFF

Press any key to power the unit. Press and hold  to turn off.

### MUTE

If you just press this button briefly, it will turn to MUTE. To return to sound, press it briefly again.

## 2. SELECT

## 3. VOLUME UP/DOWN

Turning the VOL knob to right or left (3) to control the VOLUME. To select other functions, hold the VOL knob down until the desired functions is shown on the display. Figure 1 shows how control functions are selected using the VOL knob.



Fig. 1 Selection of sound control functions

1. VOLUME 2. BASS 3. TREBLE 4. BALANCE 5. FADER

These buttons can be used to adjust the BASS, TREBLE, BALANCE and FADER.

Press and hold **VOL** knob to adjust below function:



### EQ MODE

Turn VOL knob to select one of the settings EQ OFF/FLAT/CLASS/ROCK/POP.

### AVOL

Turn the VOL knob to set the volume level, with which the device is to be set when turned on.

### STEREO/MONO

When FM signal is weak or distorted, reception may improve by turn VOL knob to select MONO.

### LOUDNESS

Turn the VOL knob to the Loudness ON or OFF function.

### SPEAKERS

Turn the VOL knob to turn ON or OFF speakers.

### LOCAL

“Local” position in areas with strong signal will cause radio to stop at only strong stations. During manual tuning (LOC appears). Select Distant position in areas with weak signal. Turn the “VOL” knob to set the LOCAL ON/OFF.

### ADJUST CLOCK

Turn VOL knob to right for hours and turn VOL knob to left for minutes.

## 4. PRESET STATIONS (1,2,3,4,5,6)

### (A) RADIO MODE:

Six numbered preset buttons store and recall stations for each band.

#### Storing a station:

1. Select a band (if needed)
2. Select a station
3. Hold a preset button longer than one second. Preset numbers appear in the display when station is saved.

***Recall a station:***

1. Select band (if needed)
2. Press a preset button for less than one second to select stored station.

***(B) MP3 PLAYER MODE:***

1. PAUSE
2. REPEAT
3. INTRO
4. RANDOM

**5. MODE BUTTON (MD)**

Press this key, to select AUX/TUNER/USB/SD/BT mode.

**6. BAND SELECTOR / DISPLAY BUTTON (BD)**

Press this button to toggle through the preset Radio FM1---FM2---FM3---AM1---AM2.  
**DISPLAY INFO:** Press and hold **BD** button to show the clock.

**7. AUTOMATIC OR MANUAL TUNING (FREQ UP ►► OR FREQ DOWN ◀◀ )**

***(A) RADIO MODE***

When pressed for less than 1 second, the unit operates in manual tuning mode.

When pressed longer than 1 second, the unit operates in automatic tuning mode.

If the keys are not pressed again within 3 seconds, the unit will return to SEEK mode.

***(B) MP3/WMA PLAYER MODE***

When pressed for less than 1 second, they will operate as TRACK UP or TRACK DOWN mode.

When pressed longer than 1 second, they will operate as CUE or REVIEW mode.

**8. AUTOMATICALLY STORE STATIONS (A/PS)**

Select six strong stations and store them in current band.

1. Select a band (if needed)

2. Hold **A/PS** button for more than three seconds. The new stations replace those already stored in that band.

***Preset Scan***

To scan stations stored in current band.

1. Select a band (if needed)

2. Press **A/PS** for more than one second but less than three. The radio pauses for five seconds at each station. Press **A/PS** again to stop scanning when desired station is found.

**9. LCD DISPLAY**

The Liquid Crystal Display will show the current settings of the unit.

## **MP3/WMA CONTROL LOCATION OF PARTS**

**10. PAUSE BUTTON**

During “PLAY”, press (10) ‘PAU’ button to “PAUSE”. Press again to resume play.

*Note: Press and hold PAU button to play first title on the storage medium.*

**TRACK/SEARCH BUTTON (7)**

**FORWARD AND REVERSE TRACK SEARCH (or changing songs)**

Press and release to advance to next track or to return to the beginning of the current track (track number will be displayed.) Press and hold to ◀◀ or ►► . Play will begin at the point where you release the button.

**11. REPEAT BUTTON ‘RPT’**

When this button is pressed, ‘RPT’ indication is displayed and play of the selected track will be continually repeated.

***RPT ONE*** - the current track is repeated.

***RPT DIR*** - the current directory is repeated.

***RPT ALL*** - all tracks are repeated.

## 12. INTRO BUTTON (Preview all Tracks)

When this button is pressed, 'INT' is displayed and the first few seconds of each track on the disc play. Press again to stop 'intro' and listen to track.

## 13. RANDOM BUTTON 'RDM'

When this button is pressed, 'RDM' is displayed and each track is played in random instead of normal sequence. To cancel RANDOM mode, press 'RDM' button again.

## 14. PREVIOUS/NEXT FOLDER SELECT: (In case of MP3/WMA files)

M5: Previous Folder / M6: Next Folder

## HOW TO SELECT MP3/WMA FILES

### Searching by Track:

- Press "A/PS", then search track is activated.
- Turn "VOL" knob to left or right, select first digit desired. (ex. 000->100->200....)
- Press "SEL" button to select second, third or fourth.... digit desired. (ex. 010->013->023...)
- Press "1 PAU", the song selected will start.

### Searching by Character:

- Press "A/PS" twice, then character search mode is activated.
- Turn "VOL" knob to left or right, you can select the desired letter. The songs with the same character that you selected by ◀◀ / ▶▶ is displayed.
- Press "1 PAU", the song selected will start.

### Searching by Folder:

- Press "A/PS" 3 times, then folder search is activated.
- Turn "VOL" knob to left or right, you can select the desired folder.
- Press "1 PAU", the song selected will start.

## Connecting it to Portable MP3 Player

### 15,16 USB/ SD/MMC MEMORY CARD

The device is equipped with a USB interface and a memory card reader for SD/MMC cards. MP3 or WMA files stored on these media can be played.

1. Plug your USB storage medium into the USB port.
2. If you use a memory card, insert it into the memory card reader.
3. The player automatically switches to the input used and starts playback.
4. See the section on operations common for audio files on how to control USB or memory card playback.

#### *Note:*

- *Due to the great variety of devices with USB and SD/MMC card interfaces that sometimes have manufacturer-specific functions, we cannot guarantee that all media will be recognized and that all operational functions will be available with this device.*
- *You cannot operate USB hard drives on the device.*

## 17. FRONT AUX IN

An external audio source (e.g. portable MP3 player) can be connected to the AUX IN socket to be played back by the vehicle loudspeakers. Press the MD button to select the AUX IN mode.

- Connect the AUX IN socket with the audio output of the external device.



## BLUETOOTH OPERATION

### Connecting the telephone to the device

Activate the Bluetooth function on your mobile phone and conduct a search for Bluetooth devices. After a successful search the entry “*CarBT*” appears for the device in the display of the mobile phone. Select this entry for the connection and for the subsequent password request enter the password “0000” for the device. You may possibly have to confirm the connection structure once more.

### Call accept/end

With an incoming call you will hear the call signal via the speakers attached to the device and via your mobile telephone. The call number is shown in the device’s display.

- You accept an incoming call by pressing the  button.
- You end the call by pressing the  button.

### Rejecting a call

With an incoming call press the  button to reject that call.

### Audio streaming (A2DP)

The device uses the A2DP profile (Advanced Audio Distribution Profile) and therefore can playback your mobile phone’s audio data. Select an audio file from your mobile phone and start the playback. The device’s display will show BT mode and the audio data will be played back via the speakers connected to the device.

*Notice:* On the mobile phone it may possibly be necessary to switch playback via the Bluetooth stereo headset. Consult the operating manual of your mobile phone for more information.

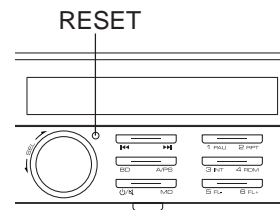
## RESET

To reset the device to its factory default settings, press and hold 6 sec. the RESET button with a pointed object, such as a pen.

Reset the device:

- when operating for the first time,
- after the cable connection,
- if not all function buttons are working
- when an error message appears in the display.

*Note:* To access the RESET button the face plate must be completely detached, see also the section “Removing the face plate”.



## MEMORY BACKUP

This unit is equipped with built-in memory I.C. (Integrated Circuits) to save user settings such as tuner preset stations and audio control settings. Whenever power is unplugged, these settings will not be lost.



## CAUTION & MAINTENANCE

This detachable panel AM/FM car radio with MP3/WMA player is an example of superior design and craftsmanship. The following suggestions will help you care for the product and experience many years of enjoyment.

1. Do not touch the contacts on the front panel or the unit body.
2. The product can only operate on 12V-32V DC power supply, negative ground.
3. Avoid exposing your product to high temperature and humidity.
4. Handle the product with care. Dropping it can damage circuit boards and cause the product to malfunction.
5. Modifying or tampering with internal components can cause damage and may invalidate the warranty.

## TROUBLESHOOTING GUIDE

SYMPTOM	POSSIBLE CAUSE	SOLUTION
No sound or power	Speaker cord disconnected. Bad power connection	Check to see that all the power and speaker leads are securely connected.
	Blown fuse.	Replace fuse with same amperage.
No sound in one channel	Mis-adjusted balance control	Check balance control.
	Damaged speaker wire or speaker	Reverse left and right channel speaker leads If no sound from other side, check or replace speaker wire. If no sound from both sides, replace both speakers.
Poor FM reception	Insensitive or defective antenna.	Replace with a good sensitivity antenna.
Sound distortion & unstable	Defective Speaker.	Replace Speaker.

# TECHNICAL SPECIFICATIONS

## MP3/WMA PLAYER SECTION

Signal to Noise Ratio ..... > 60 dB  
Channel Separation ..... > 45 dB (1kHz)  
Frequency Response ..... 60Hz - 20 kHz

## TUNER (FM)

Frequency Range..... 87.5 - 108 MHz  
Sensitivity ..... 2.8  $\mu$ V  
Stereo Separation ..... 28 dB  
Signal to Noise Ratio ..... 50 dB  
Channel Step ..... 100 kHz

## TUNER (AM)

Frequency Range ..... 522 - 1710 KHz  
Usable Sensitivity ..... 32 dB $\mu$ V  
Channel Step ..... 9 kHz

## GENERAL

Power Supply ..... 24V DC (10.8 - 32V allowable)  
Speaker Impedance ..... 4 or 8 Ohm  
Output Power ..... 25W x 4CH

## RCA OUT

Frequency Response ..... 20 Hz - 20 KHz  
Output Impedance ..... 10 K  
Max Output ..... 5 Volt (max.)

## AUX IN

Frequency Response ..... 60 Hz - 20 KHz  
Sensitivity ..... 775 mV  
Input Impedance ..... 20 K

USB Operation and Compatibility, USB 1.1, USB 2.0 Full Speed.

## DIMENSIONS

Chassis ..... 178(W)x50(H)x120(D) mm  
Nose piece ..... 188(W)x58(H)x19(D) mm

**Note:** This unit has been designed to be compatible with the latest MP3 and USB technology. There is a wide variety of memory cards, USB sticks and software formats available. However not all may be compatible with this product. Specification and design is subject to improvement and modification without notice.

# NOTES

# WARRANTY

Congratulations on your purchase of a quality **axis** Mobile Audio System! You're joining thousands of satisfied customers who enjoy & experience the benefits of the products we distribute. In the unlikely event that some technical difficulty arises with your purchase, be assured that we are most anxious to see that the problem is quickly rectified to your satisfaction. Please familiarise yourself with the following simple conditions of our warranty.

This warranty covers faults through component failure or failure of the product to operate in accordance with published specifications. Product failure as a result of unreasonable environmental conditions, accident, misuse, improper installation, unauthorised repair, vehicle electrical or wiring faults or neglect etc, will not be covered by this warranty. Removal and installation costs, if any, would be paid by the owner as well as any freight or postage costs of transporting the product to AudioXtra. AudioXtra shall not be liable or responsible for any loss of use of this product or any form of consequential loss.

## CONSUMER WARRANTY

This product is warranted by AudioXtra International Pty Ltd to be free from defects in materials and workmanship under **NORMAL USE** for a period of **TWENTY FOUR MONTHS** from the date of purchase.

**WITHIN 30 DAYS OF PURCHASE DATE:** Please return the unit for replacement to our National Service Centre or the Retailer from where you made the purchase. All accessories must be included. Proof of purchase date **must** accompany the products.

**AFTER 30 DAYS OF PURCHASE DATE:** Warranty repair and service is carried out by our National Service Centre. Repair and service will be carried out at no cost to the owner if proof of ownership and the date of purchase can be verified to the satisfaction of the authorised centre concerned with this repair. This proof should take the form of either:

- a) The warranty card accompanying this product, stamped and dated by the dealer.
- b) A Tax Invoice or Receipt showing full details of original vendor, purchaser, model number and serial number.

**COMMERCIAL WARRANTY:** A product used in or associated with a commercial application will carry a limited **SIX MONTH** warranty. An abnormal commercial application is one where usage, dust, vibration, heat/cold and other environmental conditions exist at an extreme level.

Our goods come with guarantees that cannot be excluded under the Australian Consumer Law. You are entitled to a replacement or refund for a major failure and for compensation for any other reasonably foreseeable loss or damage. You are also entitled to have the goods repaired or replaced if the goods fail to be of acceptable quality and the failure does not amount to a major failure.

Please complete details below in the event of warranty service being required.

Purchaser's Name: \_\_\_\_\_

Purchaser's Address: \_\_\_\_\_

Model Number: **AX 1300BT** Serial Number: \_\_\_\_\_

Dealer Name: \_\_\_\_\_ Date of Purchase: / /

Dealer Address: \_\_\_\_\_

Invoice/Sales Docket no: \_\_\_\_\_

General Hints: To expedite service and prompt return of the equipment, please:

- a) Clearly describe the fault in detail
- b) Safety and security pack the unit for transport
- c) Include your return address
- d) Provide proof of purchase date as outlined above

**audioXtra**  
INTERNATIONAL PTY LTD

[www.audioxtra.com.au](http://www.audioxtra.com.au)

**National Service Centre:**

10 STODDART ROAD, PROSPECT, SYDNEY NSW 2148 Australia

Telephone: (02) 8841 9000 Fax: (02) 9636 1204 email: [services@audioxtra.com.au](mailto:services@audioxtra.com.au)