

AVITA

115L Bar Fridge User Manual



Model No.: DF1-15
220-240V~ 50Hz
Rev 7

1. Important Safeguards	3
2. Parts and Features	6
3. Methods of Safe Installation	7
4. How to Operate	7
5. Temperature Control	8
6. Moving or relocating the Bar Fridge	9
7. Changing the Interior Light	9
8. Cleaning your Bar Fridge.....	9
9. Defrosting the Freezer Chamber	10
10. Reversing the Door Swing	11
11. Troubleshooting	12
12. Technical Specifications.....	13
13. R600a Refrigerant Warning.....	14
14. Warranty Against Defect	15

When using electrical appliances, in order to reduce the risk of fire, electric shock and/or injury, these basic safety precautions should always be followed:

1. Important Safeguards

When using electrical appliances, basic safety precautions should always be followed, including the following:

- Carefully read this instruction manual before using appliance.
- Keep appliance out of reach of young children.
- This appliance is not intended for use by persons (including children) with reduced physical, sensory or mental capabilities, or lack of experience and knowledge, unless they have been given supervision or instruction concerning use of the appliance by a person responsible for their safety.
- Children should be supervised to ensure that they do not play with the appliance.
- Ensure children and babies do not play with plastic bags or any packaging materials.
- This appliance is heavy. Care should be taken when moving it. Do not pull or push using the door. Turn off and unplug before moving.
- Do not attempt to modify this product in any way.
- Whenever possible, the back of the appliance should be close to a wall but leaving the required distance for ventilation as stated in these instructions.
- Do not plug into the power socket before set up is completed. The appliance should be left to stand for 2 hours after installation and before turning on to allow the refrigerant to settle.
- **VERY IMPORTANT:**
 - Ensure that appliance does not get wet (water splashes etc.).
 - Do not use appliance with wet hands.
 - Do not immerse appliance in water or other liquids or use near sinks, baths or showers.
- Always operate the appliance from a power source of the same voltage, frequency and rating as indicated on the product identification plate.
- Position the power supply lead properly so that it will not be walked on, pinched by items placed on or against it or have the appliance resting on it.
- This appliance is intended to be used in household and similar applications such as:
 - staff kitchen areas in shops, offices and other working environments
 - farm houses and by clients in hotels, motels and other residential type environments
 - bed and breakfast type environments
 - catering and similar non-retail applications

WARNING: Keep ventilation openings, in the appliance enclosure or in the built-in structure, clear of obstruction.

WARNING: Do not use mechanical devices or other means to accelerate the defrosting process, other than those recommended by the manufacturer.

WARNING: Do not damage the refrigerant circuit.

WARNING: Do not use electrical appliances inside the food storage compartments of the appliance, unless they are of the type recommended by the manufacturer.

- Do not use appliance if it has been dropped or any part of appliance (including cord or plug) has been damaged. Take appliance to your nearest authorised service centre or qualified dealer for inspection or repair.
- Use only accessories recommended or supplied by an authorised service centre or qualified dealer. The use of accessories not intended for use with this appliance may cause injuries to the user or damage to the appliance.
- Do not install the unit on other appliances, on uneven surfaces or where it could be subject to: heat sources (e.g. radiators or stoves), direct sunlight, excessive dust or mechanical vibrations.
- Appliance should not be used outdoors, placed near a hot gas or electrical burner or placed in a heated oven.
- Do not install near any heat sources such as radiators, heat registers, stoves, or other apparatus that produce heat.
- Do not operate appliance underneath or near flammable or combustible materials (e.g. curtains).
- Unplug this appliance before cleaning or storing or when unused for long periods of time.
- Any type of servicing, apart from ordinary cleaning, must be carried out by an authorised service centre or qualified dealer. There are no user serviceable parts in this appliance.
- If this appliance is used by a third party, please supply the instruction manual with it.
- Do not misuse the cord. Never carry the appliance by the cord or pull to disconnect it from the outlet. Instead, grasp the plug and pull to disconnect.
- To fix stably, the appliance must be placed on a flat and solid surface. It should not be laid on any soft material.
- When positioned or if moving the appliance ensure that it is not set horizontally or declined more than 45° or turned upside down.
- Do not use the unit in very hot or humid places, such as bathrooms or under direct sunlight.
- Close the appliance door immediately after putting in items so the inside temperature will not rise dramatically.
- It is not recommended to use this appliance with an extension cord or power board.
- Do not place any other appliance on top of the appliance.

- This appliance is designed for domestic use only, specifically for the storage of edible foodstuffs only.
- This product has not been designed for any uses other than those specified in this instruction Manual.
- An empty fridge can be a dangerous attraction to children. If disposing of the fridge, remove gaskets, latches, lids or the entire door from your unused appliance, or take other action to ensure the fridge is harmless.\

Contact your local council for proper instruction for disposing of the unused appliance.

- Do not store explosive substances such as aerosol cans with a flammable propellant in this appliance.

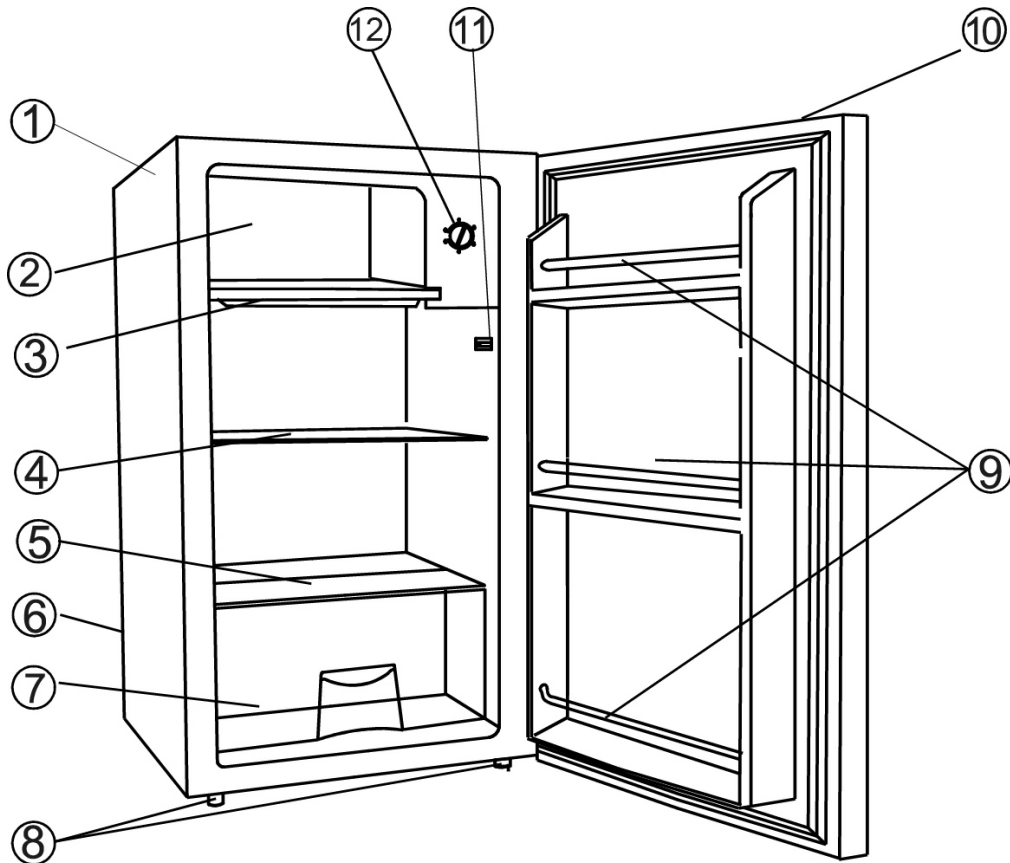


The Refrigerant Gas used in this appliance is flammable.

- No liability can be accepted for any damage caused by non-compliance with these instructions or any other improper use or mishandling of appliance.
- This product has not been designed for any uses other than those specified in this booklet

Read and Save These Instructions

2. Parts and Features



- ① Cabinet
- ② Freezer Compartment Door
- ③ Drip Tray
- ④ Shelves
- ⑤ Glass cover
- ⑥ Compressor(back)
- ⑦ Crisper box
- ⑧ Leveling Legs
- ⑨ Bottle Racks
- ⑩ Recessed Handle
- ⑪ Door switch
- ⑫ Temperature Control Knob

3. Methods of Safe Installation

Place the bar fridge on a strong and level floor. Unstable installation can produce noise and vibration.

Place your bar fridge where there is no heat source nearby. High atmosphere temperatures will lower cooling efficiency.

Place the bar fridge in an area where the humidity level is low. Splashing water in the bar fridge or installing the unit in a humid area may cause a short circuit and rust.

Avoid places that are exposed to coal, gas or smoke as discolouring may occur on the bar fridge.

For good ventilation keep enough space between the side walls and your bar fridge. Its back needs to be at least 100mm away from the wall, its sides at least 100mm separately and the height from over its top is not less than 200mm. A clear space should be left to open the door to 1600mm.

Placing the bar fridge on carpet may cause a temperature rise, and result in discolouration of the carpet. In such a case, place a hard wooden board or rubber mat between the carpet and the unit.

Installation Steps

- Select a safe place to install your bar fridge.
- Level the bar fridge by using the adjustable feet.
- Install the parts in their correct position.
- Check if the door is completely closed.
- Wait for about an hour before plugging the power cord in the outlet.

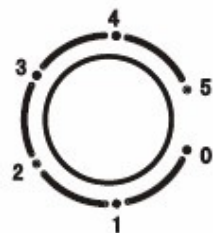
4. How to Operate

Thermostat Control

The thermostat controls the temperature automatically.

The thermostat control inside the bar fridge controls the degree of cooling.

The control has five settings from 0-5 (five being the coldest setting).



Starting Your New Bar Fridge

- Clean the bar fridge thoroughly. Wipe the outside with a dry cloth, and the inside with a damp cloth.
- Set the thermostat control.
- Connect the power supply cord.

Controlling the Temperature

Many factors may influence the internal temperature of the bar fridge and freezer compartments.

- The combination of food and containers stored
- The temperature and humidity of the surrounding environment.
- The opening frequency of the doors, and the amount of warm food placed in the bar fridge.
- For these reasons, you may want to adjust the control to suit the season and your needs.
- The cord should neither be lengthened nor folded into a coil during operation. It is not recommended that the cord is kept close to the compressor at the back of the bar fridge as the surface temperature is quite high when operating. Making contact with the two would de-activate the insulation or cause leakage of electricity.
- Put food in the bar fridge after running the bar fridge for 2-3 hours.

5. Temperature Control

Adjusting the Thermostat

The internal temperature of your fridge is controlled by a thermostat. The thermostat is located on the inside right hand side wall of the refrigerator.

The refrigerator thermostat has setting from 0 to 5. 0 being the “off” position and 5 being the coldest setting. Normally you should adjust the thermostat to the middle position such as 2 or 3 position.

It may not operate at the correct temperature if it is in a particularly hot or particularly cold room or if you often open the door.

6. Moving or relocating the Bar Fridge

- Unplug the power cord.
- Take the food out of the bar fridge.
- Fasten the interior components with adhesive tape.
- Fasten the doors with adhesive tape to prevent door from opening while moving.
- Have two people carry the bar fridge to move safely.
- When fixed or moved, the bar fridge cannot be set horizontally or declined more than 45° or placed upside down.

7. Changing the Interior Light

Before carrying out the bulb replacement always switch off and disconnect the electricity supply.

- Remove the light's translucent cover found at the rear of the thermostat.
- Unscrew the old bulb and dispose of it safely.
- Replace with a new bulb (Maximum 10 Watt), making sure that it is secure in the bulb holder.
- Replace the cover and re-connect your fridge to the electrical supply

8. Cleaning your Bar Fridge

Before cleaning the bar fridge, always switch off and disconnect the electricity supply.

For cleaning do not use hot water, solvents, petrol, alcohol, kerosene, washing powder, cleanser, alkaline detergent, acid, chemical cloths, etc. These products may damage the lacquer coat and plastics, It is not recommended to directly spray the bar fridge with water as it may cause rust or weaken insulation.

Be careful to upkeep the rubber seals of the doors. They should always be cleaned.

If the plastic parts in the bar fridge remain contaminated for a long time by oil (animal or vegetable), they will be easily aged and possibly crack. The drip tray gets dirty very easily if not cleaned regularly and bad odours will be produced. It is recommended to clean this pan regularly

- To clean, use a soft cloth. Wash with warm soapy water, rinse and dry.
- The bar fridge may smell during the initial operation, but the odour will fade away when the bar fridge is cooled sufficiently.
- Use a soft cloth for cleaning the interior and exterior of the bar fridge.
- Place parts back in their original positions after cleaning.

9. Defrosting the Freezer Chamber

Water contained in food or getting into the air inside the bar fridge may form a layer of frost inside. It will weaken the performance of the bar fridge when the frost is thick. When it is more than 2mm thick it is recommended to defrost.

- Before defrosting remove the food and ice tray from the freezer chamber and into the fridge temporarily.
- Set the knob of the temperature regulator to position "0".
- Leave the door open until ice and frost dissolve and are deposited at the bottom of the freezer chamber.
- Wipe the water with a soft cloth.
- Defrosting can be sped up by placing a bowl of warm water (about 50°C) into the freezer chamber.
- Be sure to set the knob of the temperature regulator back to the original position after defrosting.

WARNING:

It is inadvisable to heat the freezer chamber directly with hot water (or by any other method of defrosting) to prevent deformation of the inner case.

It is also inadvisable to scrape off ice and frost or separate food from the containers which have been congealed together with a sharp tool or wooden object, as this may damage the inner casing or the surface of the evaporator.

Do not use mechanical devices or other means to accelerate the defrosting process, other than those recommended by the manufacturer.

10. Reversing the Door Swing

This Bar Fridge is delivered with the door hinges on the right side.

If you wish to change the opening direction of the door, follow these instructions:

1. Remove the upper hinge cover (6) first.
2. Remove the two screws (1) that hold the upper hinge (5) (Right Side) to the frame. Take away the upper hinge (5).
3. Lift the door and place it on a padded surface to prevent scratching.
4. Remove the two screws (8) that hold the lower hinge (2) (Right Side) to the frame.
5. Remove the left front leg (4) and transfer it to the right side.
6. Remove the hole cover plate (7) to the right side.
7. Before replacing the lower hinge (2), remove the bolt-pin (9) and reverse the direction of the lower hinge (2). Install the lower hinge (2) onto the left side of the lower frame with the two screws (8).
8. Insert the bolt-pin (9) into the lower hinge (2).
9. Set the door in its place making sure it sits on the door seat at the lower hinge (2).
10. While holding the door in the closed position, secure the upper hinge (5) on the top left side with the two screws (1). Do Not tighten the two screws (1) until the top of the door is levelled with the counter top.
11. Install the upper hinge cover (6) on the upper hinge (5).

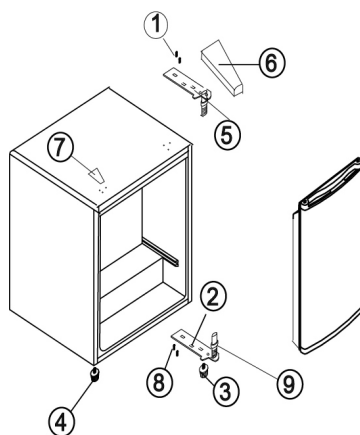


FIGURE 1

Door opening from left side

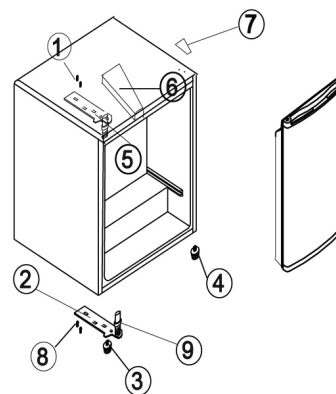


FIGURE 2

Door opening from right side

11. Troubleshooting

If the bar fridge does not work:

- Check if there is a power failure.
- Check if the power plug is plugged into the power outlet.
- Check that the fuse has not blown.

If the bar fridge is cooling excessively:

- The thermostat control dial may be set too high.
- If you place foodstuff containing a lot of moisture directly under the cool air outlets, they will freeze easily. This does not indicate a malfunction.

If the bar fridge is not cooling sufficiently:

- The food may be packed too tightly together which will block the flow of cool air.
- You may have put something hot or a lot of food stuff into the bar fridge .
- The door may not have been closed properly.
- The door seal may be damaged.
- The bar fridge may not be ventilated.
- There may be insufficient clearance between the bar fridge and the surfaces immediately above and beside the fridge.
- The thermostat control dial may not be set properly.

If defrosted water overflows inside the bar fridge and onto the floor:

- Check that the drain pipe and the drain hose are not clogged.
- Check that the drain pan is housed properly.

If the bar fridge's cabinet front heats up:

- In order to safeguard against condensation, there is an anti-condensation pipe which heats up the cabinet front when the bar fridge is on. A warm cabinet front does not indicate a malfunction.

If condensation forms on the outside of the bar fridge:

- Condensation may form on the outside when the humidity is high, such as during a wet season.
- This is the same result as the condensation formed when chilled water is poured into a glass. It does not, therefore, indicate a malfunction.
- Wipe dry with a dry cloth.

If you hear a sound like water flowing:

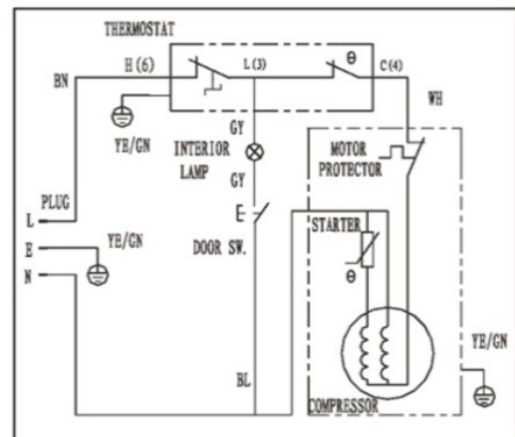
- A sound like water flowing is the refrigerant flowing. It does not indicate a malfunction.

If the cabinet's side panel heats up:

- The side panel of the cabinet will heat up when the door is opened or closed frequently, when starting the unit and when the unit operates in summer with high ambient outside temperature.
- In such cases, do not touch the panel. It results from the dissipation of the heat from inside the cabinet, and it does not indicate a malfunction with the bar fridge.

12. Technical Specifications

Net Weight:	25kg
Overall Dimensions:	W500 x D560 x H840mm
Supply:	220-240V~ 50Hz
Energy Consumption:	0.808kwh/24h
Rated current:	0.55A
Rated power of lamp:	10W
Refrigerant:	R600a (30g)
Insulation blowing gas:	Cyclopentane
Caution:	Gas is Highly Flammable



Specification are subject to change without prior notice

13. R600a Refrigerant Warning

- This appliance contains a small quantity of R600a refrigerant which is environmentally friendly, but flammable.

It does not damage the ozone layer, nor does it increase the greenhouse effect.

- During transportation and installation, ensure that the tubing of the refrigerant circuit is not damaged.
- Leaking refrigerant can ignite and may damage the eyes.
- In the event any damage does occur, avoid exposure to open fires and any device which creates a spark.

Disconnect the appliance from the mains power.

- Thoroughly ventilate the room in which the appliance is located for several minutes.
- The room for installing the appliance must be at least 1 cubic metre per 8 grams of refrigerant.

The refrigerant quantity contained in this appliance is noted on the Rating Plate of the appliance.

14. Warranty Against Defect

WHAT'S COVERED?

- 1.1 H.E. Group Pty Ltd ("us" "we" or "our") warrants this good for a full replacement or refund for a period of twelve months from the date of purchase.
- 1.2 This warranty covers materials and workmanship defects only.

WHAT IS NOT COVERED?

- 2.1 This good is for household use only and if used in any way other than as detailed in the instruction manual will void this warranty.
- 2.2 This warranty does not apply to defects arising from abuse, alteration, unauthorised or unreasonable use of the good, nor does it cover general deterioration due to usage.
- 2.3 This warranty does not apply to accessories due to general deterioration or acts beyond human control.

WHAT WE WILL DO

- 3.1 We will replace the good or provide a refund to the value of the purchase price, if a defect is discovered in the good during the warranty period of twelve months subject to verification of defect or malfunction and the date and proof of purchase and purchase price.

WARRANTY COSTS

- 4.1 Once we have received the goods and you have complied with the warranty, our costs associated with the warranty claim will be borne by us.
- 4.2 No responsibility will be taken for goods lost, mislaid or damaged whilst in transit.

GENERAL

- 5.1 The benefits of this warranty are additional to any other rights and remedies you may have under law.

- 5.2 Our goods come with guarantees that cannot be excluded under Australian Consumer Law. You are entitled to a replacement or refund for a major failure and compensation for any other reasonably foreseeable loss or damage.

You are also entitled to have the goods repaired or replaced if the goods fail to be of acceptable quality and the failure does not amount to a major failure.

- 5.3 Notwithstanding 5.1, except as provided for in this warranty, all express and implied warranties and conditions under statute or general law as to the merchantability, description, quality, suitability or fitness of the goods for any purpose, or as to design, assembly, installation, materials or workmanship or otherwise are (where permitted under law) expressly excluded.

- 5.4 To the extent permitted by law, our total liability for loss or damage of every kind related to the good in any way whatsoever is limited to the amount paid to the retailer by you for the good or the value of the good.

- 5.5 These terms and conditions supersede and exclude all prior and other discussions, representations (contractual or otherwise) and arrangements relating to the supply of the goods or any part of the goods. This includes representations not made by us relating to the performance of the goods or any part of the goods or the results that ought to be expected from using the good.

CUSTOMER CARE

- 6.1 To claim under this warranty, you must first contact our friendly customer service team on free call 1800 079 124 or via email info@hegroup.com.au and explain the basis of your claim. Our customer service team will then provide you with directions on how to make your claim under this warranty.

- 6.2 This warranty is valid with the presentation of the original proof of purchase receipt or tax invoice originating from the store of purchase for the product showing the retailer's name, date of purchase and amount paid, by you, for the good.

Address: HE Group Pty Ltd, 47 Stephenson Street, Cremorne, Victoria 3121
Phone No: 1800 079 124 (free call)
Email: info@hegroup.com.au

April 2011 Edition