



# **Portable Power Pack**

Model no. 035-6103-8

## **Safety Information**

**IMPORTANT, RETAIN FOR FUTURE REFERENCE AND READ CAREFULLY!**

Read this manual carefully before using the product. Follow all safety instructions to avoid damage caused by improper use.

Should this product be transferred to a third person, this manual must be included.

## **WARNING!**

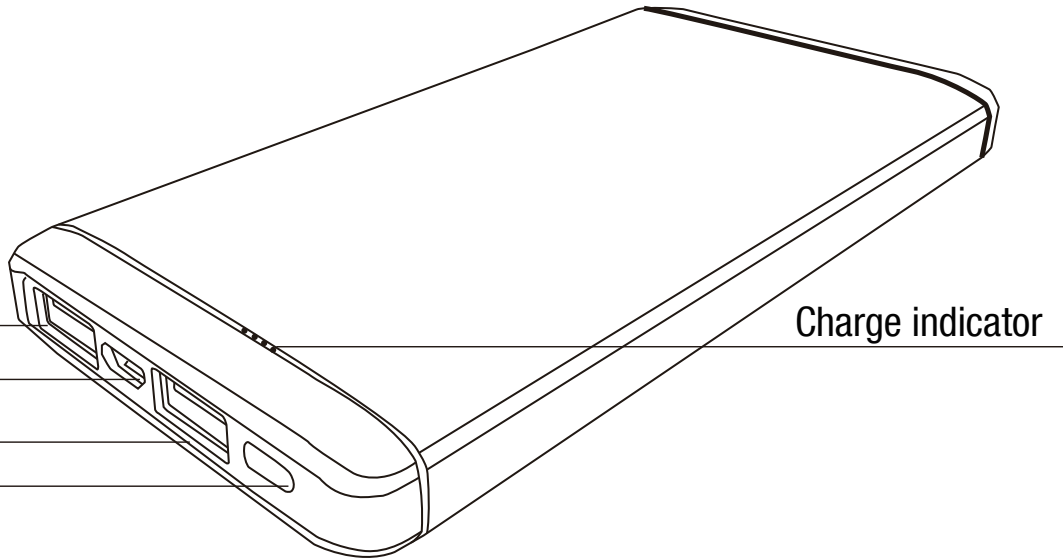
- Make sure your connected device is firmly and securely fastened.
- Follow all applicable local laws and regulations concerning the use of a mobile device.
- The USB port is not designed for transferring data. Do not connect external data storage products or any data transfer cables to the USB port.
- **DANGER!** Never let children play with packaging materials and this product. This product is not a toy! Store the product and any accessories out of the reach of children.
- Don't attempt to disassemble the unit or replace the battery
- Do not throw device into fire.
- Keep device dry at all time.
- Avoid excessive drops, abrasion and punctures.

	SPECIFICATIONS
INPUT	DC 5.0 V/2.0 A
OUTPUT	DC 5.0 V 2.0 A(max.)/2.0 A(max.)
BATTERY CAPACITY	10000mAh Polymer Lithium Battery
ADAPTABLE FOR	Smartphones/GPS/MP3player/ Bluetooth/other portable devices
DIMENSIONS	5.5 x 2.68 x 0.39" (140 x 68 x 10 mm)
COLOR	Black
WEIGHT	235 g $\pm$ 5 g

## Package Contents:

1. 10000 mAh Power Pack
2. Charging cable
3. User's manual

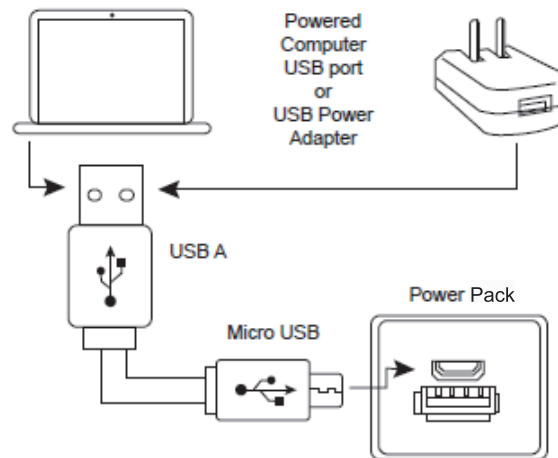
2A (Max) USB output  
Mini USB connector  
2A (Max) USB output  
On/off switch



ATTENTION: Double-click the on/off switch button to turn on or turn off the light

## Operation Instructions:

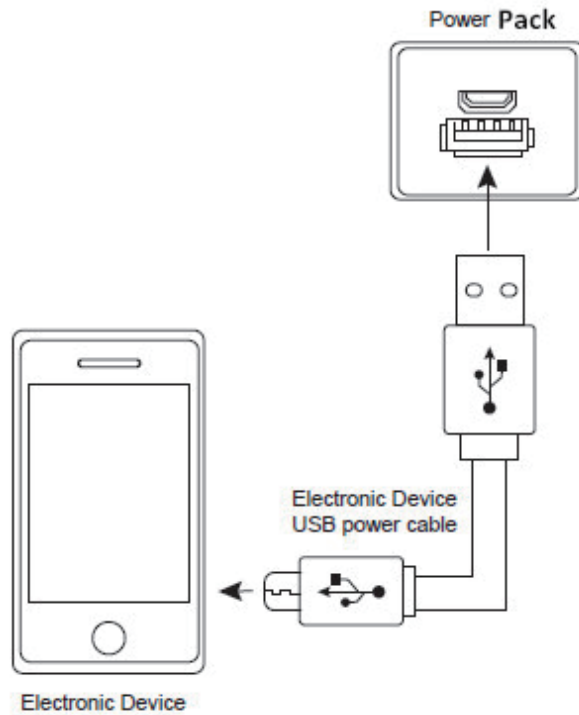
### 1. Charging the Power Pack



Use provided micro USB cable to charge your power pack from any 1A outlet or powered USB port.

# Operation Instructions:

## 2. Charging Electronic Devices



Use your own cable to charge your device.

Made in China

Imported by Trileaf Distribution Trifeuil Toronto, Canada M4S 2B8

