



H A Harman International Company

D 660 S

Description

The AKG Model D 660 S is a rugged dynamic hypercardioid microphone intended for on-stage instrumental and vocal pickup. Its hypercardioid pattern is uniform with frequency, and response has been boosted at mid and high frequencies for crisp instrumental pickup and improved speech intelligibility. The microphone has a heavy duty steel screen with an integral support frame. The inner pop filter can be removed for cleaning or for replacement. The microphone incorporates a Doubleflex™ mounting system used to isolate the capsule assembly. This system places the primary resonance of the moving system well below the audible range, resulting in excellent isolation of handling and cable induced noises. The light-weight body is die cast zinc alloy and has a dark matte finish for minimum reflection and glare.

Specifications

Transducer type:	Dynamic pressure gradient
Frequency response:	70 - 20 kHz (20 - 20 kHz @ 2 cm)
Polar pattern:	Hypercardioid
Impedance:	≤500 ohms
Recommended load impedance:	≥1,200 ohms
Output connector:	3-pin male XLR-M
Sensitivity:	2.0 mV/Pa; -54 dBV (re 1 V/Pa)
Sound pressure level for 1% (3%) THD:	140 dB SPL (150 dB SPL)
Finish:	Matte black enamel
Size:	Maximum diameter: 2 in. (50 mm) 6.6 in. length (166 mm)
Net weight:	8.5 oz. (240 g)
Shipping weight:	15 oz. (420 g)
Accessories included:	SA 44 Stand adapter
Optional accessories:	SA 41/1 Stand adapter ST 45, ST 305 Table stands H 30 Universal shock mount



Features

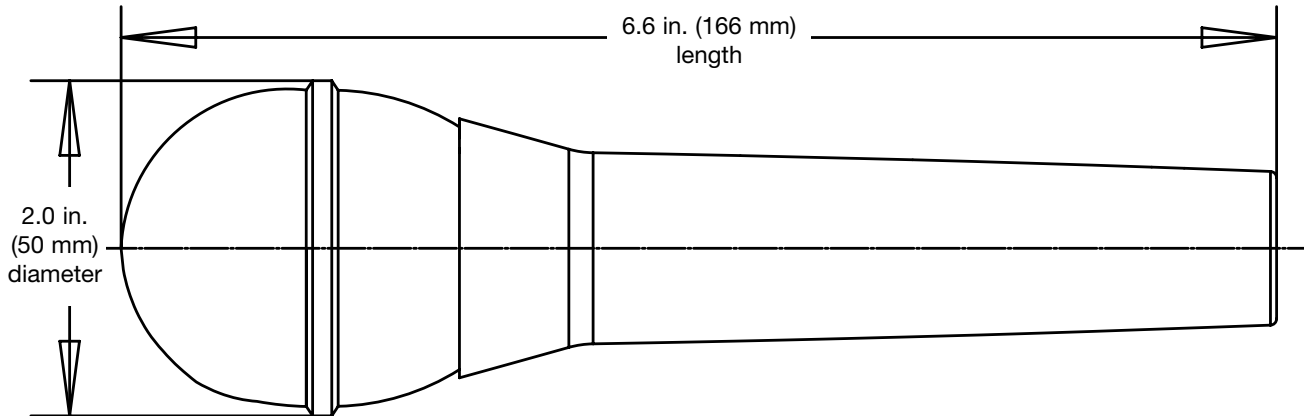
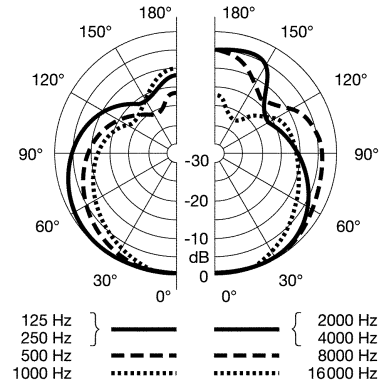
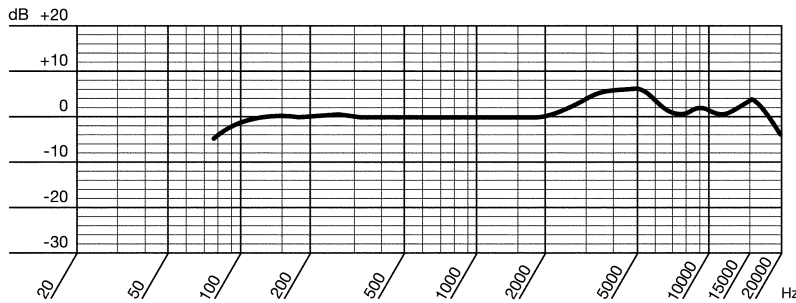
- Response tailored for instrumental and vocal on-stage performance
- Frequency independent hypercardioid pattern for added immunity to feedback
- Very low handling noise through use of AKG's Doubleflex™ anti-vibration isolation system
- High sensitivity (2.0 mV/Pa) resulting from use of high-energy neodymium-iron-boron magnet
- Light-weight die cast metal body with dark matte finish
- Replaceable inner pop filter

Architects and Engineers Specifications

The microphone shall be a dynamic type with a cardioid pickup pattern. Sensitivity shall be no less than 2.0 mV/Pa, and the maximum operating level for 3% THD shall be no less than 150 dB SPL. The maximum diameter of the microphone shall be no greater than 2.0 in. (50 mm), and the microphone length shall

be no greater than 7.13 in. (181 mm). Microphone net weight shall be no greater than 240 grams. The microphone shall have an integral wind screen and replaceable inner pop filter (and noise-free on/off switch). The microphone shall be the AKG Acoustics Model D 660 S.

Graphical Data



AKG is constantly improving and modifying its products, therefore, specifications are subject to change without notice.

Limited Warranty

Valid only in the United States. AKG Acoustics warrants AKG products against defects in material or workmanship for a period of two years from the date of original purchase for use, and agrees to repair or, at our option, replace any defective unit without charge for either parts or labor. Important: This warranty does not cover damage resulting from accident, misuse or abuse, lack of reasonable care, the affixing of any attachment not provided with the product, loss of parts or connecting the product to any but the specified receptacles. This warranty is void unless service or repairs are performed by an authorized service center. No responsibility is assumed for any special, incidental

or consequential damages. However, the limitation of any right or remedy shall not be effective where such is prohibited or restricted by law. Simply take or ship your AKG product prepaid to our service department. Be sure to include your sales slip as proof of purchase date. (We will not repair transit damage under the no-charge terms of this warranty.) Note: No other warranty, written or oral is authorized by AKG Acoustics, Inc. This warranty gives you specific legal rights, and you may also have other rights which vary from state to state. Some states do not allow the exclusion or limitation of incidental or consequential damages or limitation on how long an implied warranty lasts, so the above exclusions and limitation may not apply to you.

Microphones · Headphones · Wireless Microphones · Wireless Headphones · Headsets · Electroacoustical Components



H A Harman International Company

AKG Acoustics GmbH
Lemböckgasse 21-25, P.O.B. 158, A-1230
Vienna/AUSTRIA
Tel: (43 1) 86 654-0*, Fax: (43 1) 86 654-516
Internet: <http://www.ake.com>

AKG Acoustics; A Division of Harman Pro Germany
Bodenseestraße 228, D-81243 München/GERMANY
Tel: (089) 87 16-0, Fax: (089) 87 16-200

Arbiter Pro Audio
Wilberforce Road, London NW9 6AX/ENGLAND
Tel: (0181) 202 1199, Fax: (0181) 202 7076

AKG ACOUSTICS, U.S.
914 Airpark Center Drive
Nashville, TN 37217, U.S.A.
Tel: (615) 620-3800, Fax: (615) 620-3875

Studer Japan Ltd.
2-43-7, Uehara, Shibuya-ku, Tokyo 151-0064/JAPAN
Tel: (813) 3465-2211, Fax: (813) 3465-2214

Erikson Pro Audio
620 McCaffrey, St-Laurent, Quebec, H4T 1N1, CANADA
Tel: (514) 738-3000, Fax: (514) 737-5069
Internet: www.jam-ind.com/eriksonpro