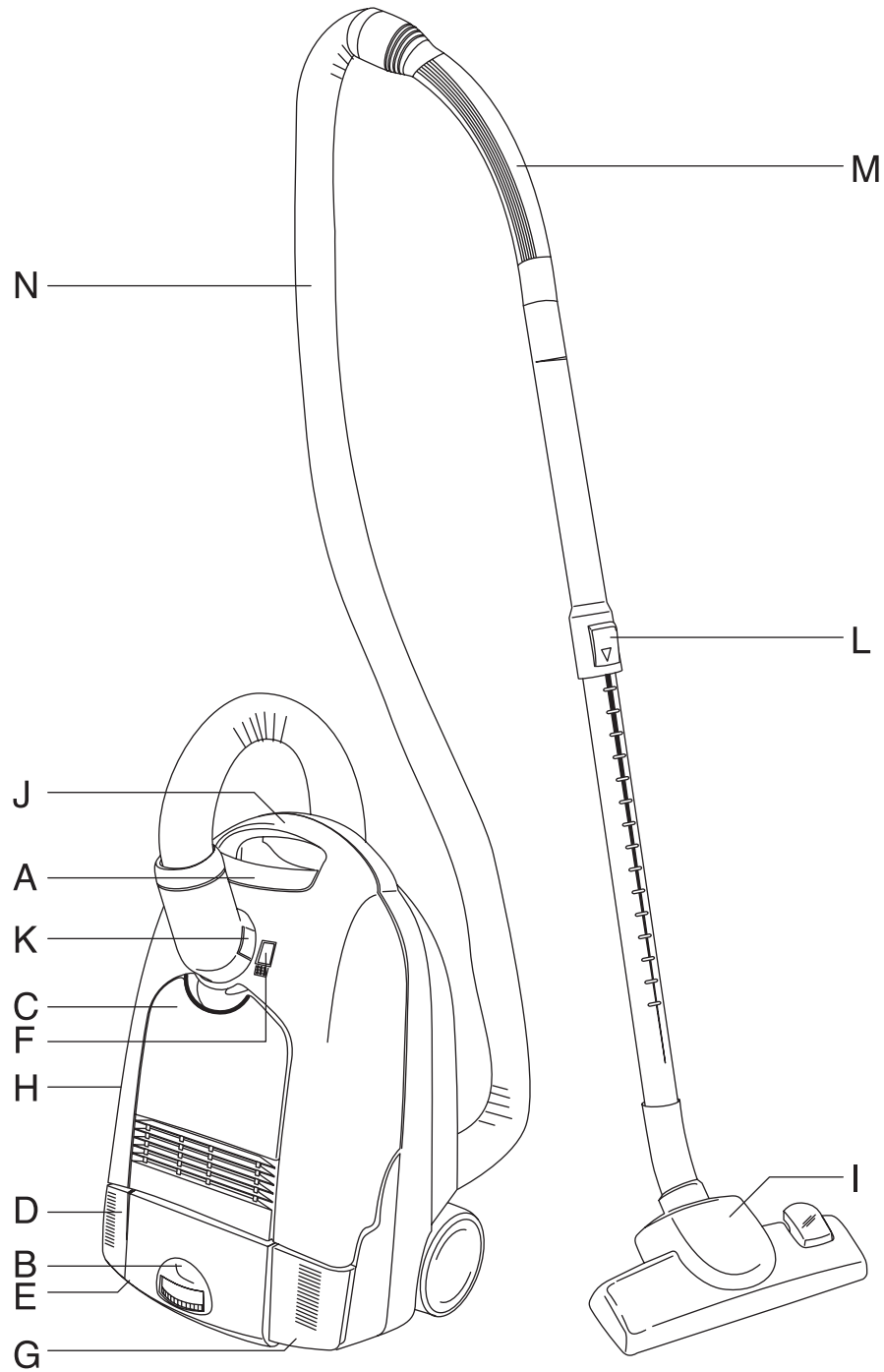


VAMPYR® CE . . .

Bodenstaubsauger
Vacuum Floor Cleaner
Aspirateur-traîneau
Bodemstofzuiger
Aspirapolvere
Aspirador de polvo para suelos
Aspirador de pó para chão
Golvdammsugare
Støvsuger
Gulvstøvsuger
Lattiamallin pölynimuri
Podlahový vysavač
Fekvőporszívó
Odkurzacz podłogowy
Ηλεκτρικές σκούπες δαπέδου
Напольный пылесос

Gebrauchsanweisung
Operating Instructions
Mode d'emploi
Gebruiksaanwijzing
Istruzioni per l'uso
Instrucciones para el uso
Instruções de utilização
Bruksanvisning
Brugsanvisning
Bruksanvisning
Käyttöohje
Návod k použití
Használati útmutató
Instrukcja obsługi
Οδηγίες χρήσης
Инструкция по эксплуатации

GB



- A = Button to Open the Paper Filter Compartment
- B = Power Regulation *
- C = Accessories Compartment
- D = On/Off Button
- E = Parking Rail
- F = Filter Replacement Indicator
- G = Cable Rewind Button
- H = Tool Rail

- I = Nozzle
- J = Carrying Handle
- K = Hose Release Button
- L = Suction Tube/Telescopic Tube*
- M = Handle
- N = Suction Hose

*depending on model

Contents

Appliance Description.....	10
Before Using for the First Time	11
Protecting the Environment	11
User Safety Instructions.....	11
Making the Vacuum Cleaner Ready for Use	12
Using the Nozzles	13
Switching On	14
Maintenance and Cleaning.....	14
Paper Filter.....	15
Carrying and Storage	16
What to do, if	16
Additional Accessories	17
AEG Customer Service in Europe.....	135

Before Using for the First Time

Please read all the following information carefully. It provides important instructions on appliance safety, operation and maintenance. Keep these operating instructions in a safe place and pass them on to any subsequent owners.

Protecting the Environment

Do not simply throw away packaging material and old appliances.

Equipment Packaging:

- The cardboard packaging can be deposited in the waste paper collection.
- Deposit the recyclable polyethylene (PE) bag at a PE collection point.

Recycling the Appliance at the End of its Life:

- The plastic components all carry a material identification marking so that, like the other materials, they can be recycled at the end of the life of the appliance.
- Please inquire with your local authority about your local recycling centre.

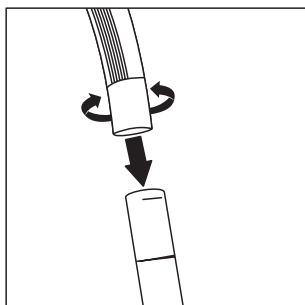
Safety Instructions

CE This device complies with the following EU Directives: – 73/23/EEG dated 19 Feb. 1973 – Low Voltage Directive – 89/336/EEG dated 3 May 1989 (including Directive Amendment 92/31/EEG) – EMC Directive.

- Only connect the appliance to 220/230 V AC.
- The electric circuit for the socket used must have at least a 10 A fuse.
- Never remove the mains plug from the socket by pulling on the cable.
- Do not use the appliance if:
 - the cable is damaged.
 - the housing shows visible signs of damage.
- Avoid pulling the appliance or suction brush over the mains lead. The insulation could be damaged.
- **The cover cannot be closed if a paper filter is not inserted. Please do not use force!**
- Always ensure that a paper filter as well as a MICROFILTER and a motor protection filter are inserted.
- This vacuum cleaner may only be used for vacuuming dry materials in households. People and animals must not be vacuumed with appliance. Keep children away from electrical appliances. The manufacturer shall not be liable for any damage that may be caused by improper use or operation.
- Leave wet shampooed carpets to completely dry. Never vacuum liquids with the vacuum cleaner – otherwise the vacuum cleaner will be damaged. Furthermore, electric shock protection may be impaired.
- Under no circumstances should the appliance be used to vacuum matches, glowing ashes or cigarette ends. Avoid vacuuming hard, sharp objects as they may damage the appliance or the paper filter.
- Do not expose the appliance to weather, moisture or heat.
- In the event of a cable defect, the entire cable roller should be replaced by AEG customer service or an authorised repair shop.
- Repairs to electrical appliances may only be performed by qualified service engineers. Improper repairs may lead to serious hazards for the user.
- Therefore if your appliance needs repairing, please contact your retailer or AEG customer service.

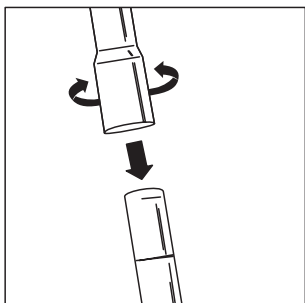
Making the Vacuum Cleaner Ready for Use

The accessories can be connected by pressing together and turning, and separated by pulling and turning:



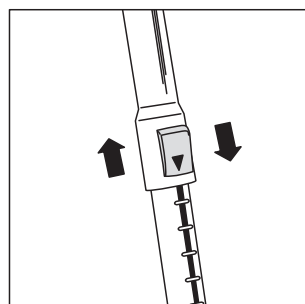
Connect Together the Suction Hose and Suction Tube.

Firmly connect the suction tube handle to the suction tube.



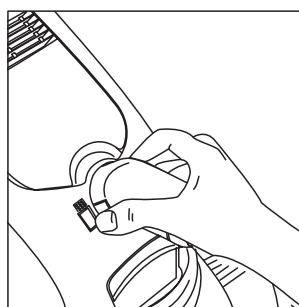
Connect the Suction Tubes Together (depending on model)

Connect the two tubes together.



Adjust the Telescopic Tube (depending on model)

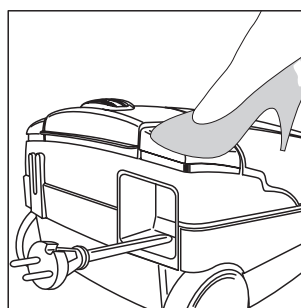
Push down the button on the tube and adjust the tube to the desired working position.



Connect the Suction Hose

Plug the suction hose connector into the suction inlet. The connector clips into place and is free to rotate.

Press the release button and pull out the connector in order to remove the suction hose.



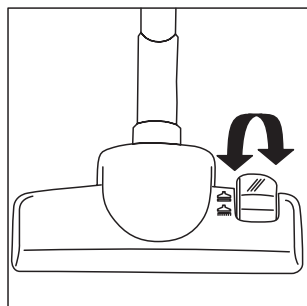
Mains Connection/Cable Rewind

The mains cable is stored in the cable compartment. Pull out the cable and plug into a mains socket.

Unplug from the mains socket. Press the foot button, the cable is automatically rewound after vacuuming.

Using the Nozzles

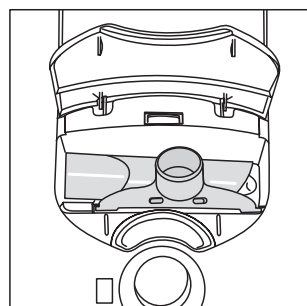
The nozzles are connected to the suction tube by pressing and turning, and removed by pulling and turning.



Using the VARIO 500 Floor Nozzle

For daily care of carpets and hard floors. The floor nozzle is manually adjustable. Extended brushes for smooth floors, retracted brushes for carpets.

See additional accessories for special floor nozzles.

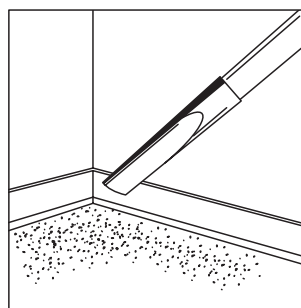


Crevice and Upholstery Nozzle Stored in the Appliance

To meet individual cleaning requirements two accessories are included with the appliance, these are stored in an integrated accessories compartment.

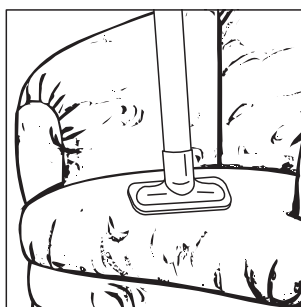
Open the lid of the accessories compartment upwards at the recessed handle.

The nozzles can be fitted to both the suction tube and the suction hose handle as required.



Crevice Nozzle

For vacuuming crevices, gaps and corners.



Upholstery Nozzle

For vacuum cleaning all upholstered furniture, mattresses, etc.

The thread lifting strips on the nozzle even pick up thread and lint.

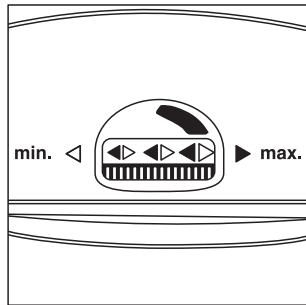
Switching On

Switch On and Off



The appliance is switched on and off by pressing the On/Off button.

Power Regulation*:

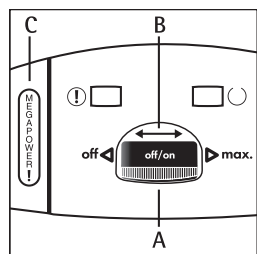


Power Regulation – Rotary Regulator

The suction power can be adjusted to suit the specific situation using the electronic power regulator.

min. ◀ ▶ max.

Output control, Mega-Power



A Switching on and off.

Switch on your vacuum cleaner with the power adjustment wheel by turning the power adjustment wheel in the direction of the arrow

▶ max. The operating lamp indicates that the vacuum cleaner is connected to the mains voltage and is ready for operation.

B Suction power adjustment.

With the power adjustment wheel you can set the power of your vacuum cleaner to the optimum value for the relevant cleaning work. NOTE: If the power adjustment wheel is turned fully to the right, this setting gives you a strong suction, economical power setting for most cleaning work.

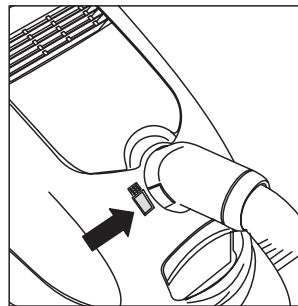
C Mega-Power button.

Press the Mega-Power button for cleaning work which requires a particularly high suction power. The vacuum cleaner then runs at maxi-

imum power. The Mega-Power indicator lamp lights up for as long as the Mega-Power stage is activated. In this power stage, the adjustment wheel only has the function of the on / off switch. Power adjustment is not possible in this stage.

Maintenance and Cleaning

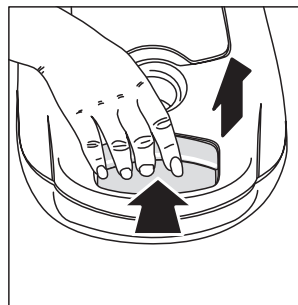
Be sure that the appliance is turned off and that the mains plug has been removed from the socket before performing maintenance or cleaning.



Changing the Paper Filter

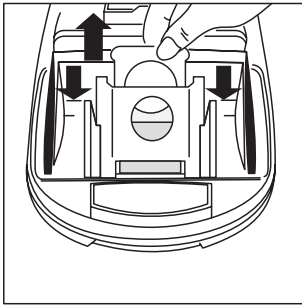
The paper filter must be replaced if the window on the filter replacement indicator is completely red when the appliance is operating at maximum power and the nozzle is raised from the floor.

The paper filter should be replaced even if it does not appear to be full because fine dust can block the pores in the surface of the filter.



The cover can be opened by pressing the button and folding back until it locks.

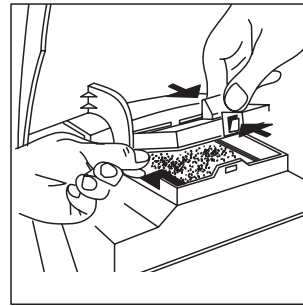
*depending on model



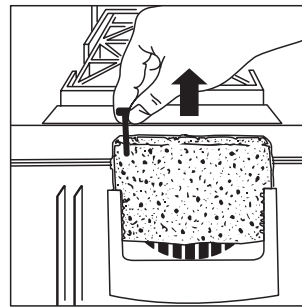
Hygiene filter replacement: When removing the full filter bag, pull the closing tab to automatically close the bag. During this process you must overcome slight resistance when pulling the tab. Full dust bags with normal household dust may be disposed of with household rubbish. Insert the new paper filter in the guide rails and slide down to the lower stop (note marking), only then can the lid be closed. If a paper filter is not placed in the appliance, the lid cannot be closed. Please do not use force!

Changing the Microfilter

We recommend **replacing the microfilter** on every fifth paper filter replacement, at the latest when the dust level indicator is completely red with a clean dust bag and the nozzle raised.



Open the lid and fold back until it locks. Remove the used microfilter (Figure) by the tab and dispose of with household rubbish. Insert the new microfilter.



Motor Protection Filter

The motor protection filter is a permanent filter and does not have to be regularly replaced.

The only exception is if the paper filter has been damaged and the motor protection filter soiled: remove the motor protection filter, clean (only tap out) and refit.

Insert new paper filter.

Cleaning

Use a damp cloth to wipe off the housing and paper filter compartment as required. Do not use solvents or scourers. Clean the floor nozzle and the brush holder periodically using the crevice nozzle.

Paper Filter

VAMPYR CE...

E No. 900.087.600

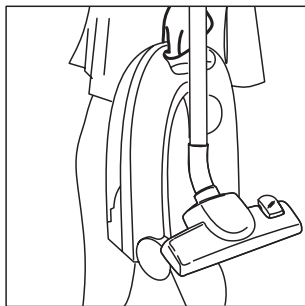
ET No. 668.901.268

Paper Filter Size 28

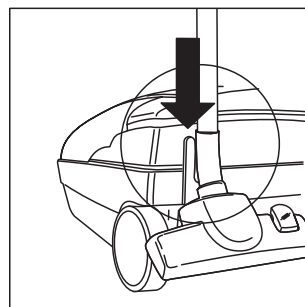
Microfilter

ET No. 668 100 151

Carrying and Storage



To make the appliance easier to store and carry, slide the floor nozzle into the tool rail.



Parking System

For storing the suction tube and nozzle during short pauses in use. The bracket on the nozzle is slid into the parking rail on the appliance.

What to do, if ...

... the nozzle is hard to push

Turn down the power. Cleaning performance will not be affected in this case.

... the motor thermal overload protection device triggers

If the motor becomes overloaded, e.g. as the result of the filter bag being full or a blocked accessory, the thermal overload protection device will shut down the motor. Turn off the appliance, unplug from the mains, and allow the motor to cool down.

Check paper filter bag, suction tube and suction hose, remove any blockage.

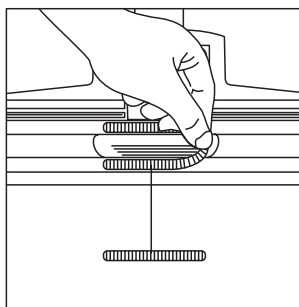
The appliance can be turned on again after approximately 30 minutes.

... the fuse has blown

The fuse may blow if you use other high power electrical appliances on the same electrical circuit at the same time as the vacuum cleaner is in use.

This may be prevented by setting the electronic power regulator to minimum before turning on the appliance and increasing the power setting after switching on.

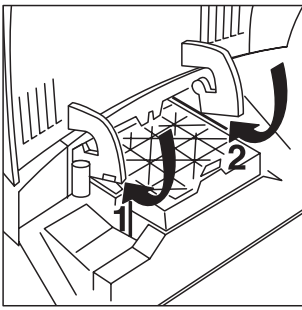
Your vacuum cleaner is equipped with an electronic soft start controller that reduces the start up current of the motor, this avoids the mains fuse blowing under normal circumstances. As a result, at the lowest power setting the appliance may have a start delay of approx. 4 seconds.



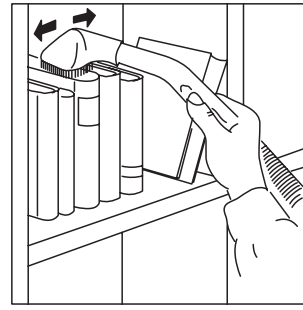
... the thread lifters are worn

If the thread lifters on the suction inlet are worn or matted, you can replace them with new thread lifters.

You can order new thread lifters from AEG customer service under ET No. 668 901 690.

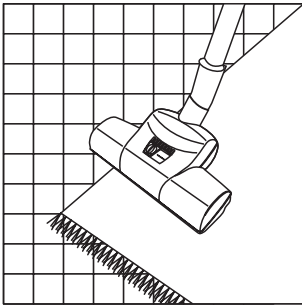


... the lid jumps out of its hinge
If the housing lid jumps out of its hinge due to being opened too far, place it back on the housing and press until it snaps back into place.



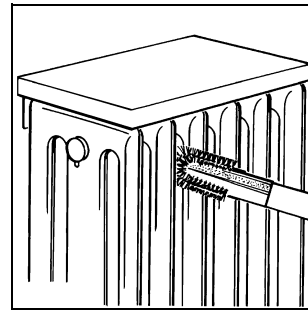
Furniture Brush with Knuckle Joint
For vacuuming delicate materials and objects.
Only available from customer service.

Additional Accessories



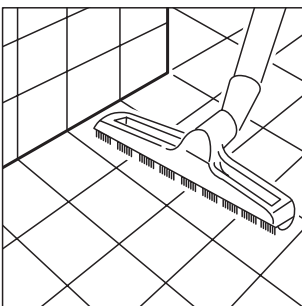
ROTOSOFT 1200 Turbo Brush

The ROTOSOFT 1200 makes the care of carpets and smooth floors easier. The rotary motion of the brushes loosens matted areas of short pile carpets and improves their appearance.



Radiator Brush

For cleaning radiators, narrow shelves or gaps.
Attach to crevice nozzle.



Special Nozzle

For special care of parquet, tiles and hard floors.